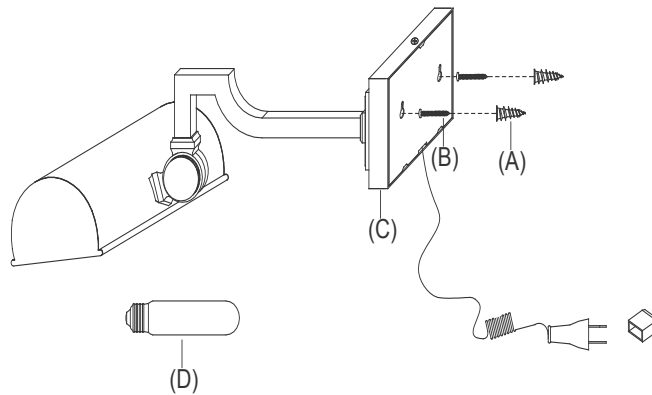


## PICTURE LIGHT SCONCE 12"

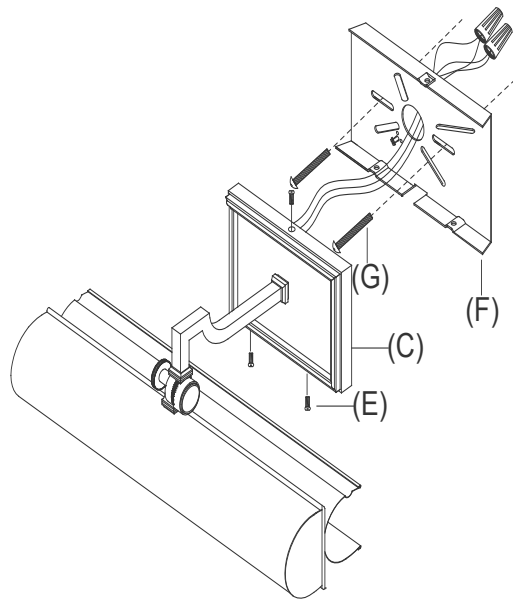
### PARTS ENCLOSED

- (A) Metal Anchors (2)
- (B) Screws (2)
- (C) Lamp Base (1)
- (D) Bulb (1)
- (E) Base Screws (3)
- (F) Mounting Plate (1)
- (G) Mounting Screws (2)

PORTABLE MOUNTING (FIG. 1)



HARDWIRE MOUNTING (FIG. 2)



## PICTURE LIGHT SCONCE 12"

**IMPORTANT SAFETY INSTRUCTIONS**

INSTALLATION BY A LICENSED ELECTRICIAN IS STRONGLY RECOMMENDED.

For safety purposes, this lamp is equipped with a polarized plug (one blade is wider than the other). If the plug does not fit securely into outlet, do not force it - contact a professional electrician. Use the plug with an extension cord only if it can be fully inserted into the cord's socket. Never alter the plug in any way.

This fixture has been rated for one (1) 40-Watt maximum TYPE T bulb (D) (included) OR one (1) 9-Watt compact fluorescent bulb (not included). To avoid the risk of fire, do not exceed the recommended wattage.

**WARNINGS**

All wires are connected. When unpacking, be careful not to pull wires, as a bad connection may result. Do not connect electricity until your fixture is fully assembled. To reduce the risk of fire, electrical shock, or personal injury, always turn off fixture and allow it to cool prior to replacing the lightbulb. Do not touch or look directly at the bulb when fixture is illuminated. Keep flammable materials away from lit bulb.



**WARNING:** This product can expose you to lead, which is known to the State of California to cause cancer and birth defects or other reproductive harm. For more information, go to [www.P65Warnings.ca.gov](http://www.P65Warnings.ca.gov).

**THIS IS NOT A TOY AND THE PRODUCT HAS NO PLAY VALUE.**



**WARNING: STRANGULATION HAZARD**

Keep cord at least 3 ft away from cribs, bassinets, and toddler beds. Keep out of reach of children under 3.

**PORTABLE ASSEMBLY & INSTALLATION (FIG.1)**

1. Carefully remove all parts from the box and remove all plastic covering.
2. Measure center distance of both hanging keyholes at backside of Lamp Base (C). Mark locations on the wall with the same distance at desired height; make sure both holes are level with each other.

**ASSEMBLY & INSTALLATION CONT.**

3. Drill small holes on each point location on the wall. Each hole should be large enough to accommodate a Metal Anchor (A). Push Metal Anchors (A) into the holes in the wall.
4. Insert both Mounting Screws (B) into the Metal Anchors (A). Make sure both screw heads with 1/8" threads are visible.
5. Hook Lamp Base (C) onto both heads of Mounting Screws (B).
6. Insert Bulb (D) into socket.

**HARDWIRE ASSEMBLY & INSTALLATION (FIG.2)**

SHUT OFF THE MAIN ELECTRICAL SUPPLY FROM THE FUSE BOX OR CIRCUIT BREAKER PANEL.

1. Follow Step 1 of PORTABLE ASSEMBLY.
2. Guide wiring from wall outlet through the center hole in Mounting Plate (F). Affix Mounting Plate (F) to wall outlet box with Mounting Screws (G) provided.
3. Cut the wire twelve inches away from Fixture Base (C).
4. Attach the fixture ground wire and house ground wire (usually green insulation or bare wire) to wall outlet box with the green grounding screw. Connect fixtures to corresponding house wire with a wire nut. Carefully tuck the wires back into the outlet box. IT IS IMPERATIVE THAT THE OUTLET BOX IN YOUR HOME BE PROPERLY GROUNDED.
5. Connect both neutral wires (WHITE) to the neutral outlet wire (usually white insulation) with a plastic wire connector and wrap the connection with electrical tape.
6. Connect both hot wires (BLACK) to the hot outlet box wire (usually black insulation) with a plastic wire connector and wrap the connection with electrical tape. DO NOT REVERSE THE HOT AND NEUTRAL CONNECTIONS; OTHERWISE, SAFETY WILL BE COMPROMISED.
7. Attach Fixture Base (C) to affixed Mounting Plate (F) and secure with Base Screws (E).
8. Insert Bulb (D) into socket.
9. Assembly is complete.

**CARE INSTRUCTIONS**

Do not use polishes or cleaners on your lamp. Just wipe clean with a soft cloth.