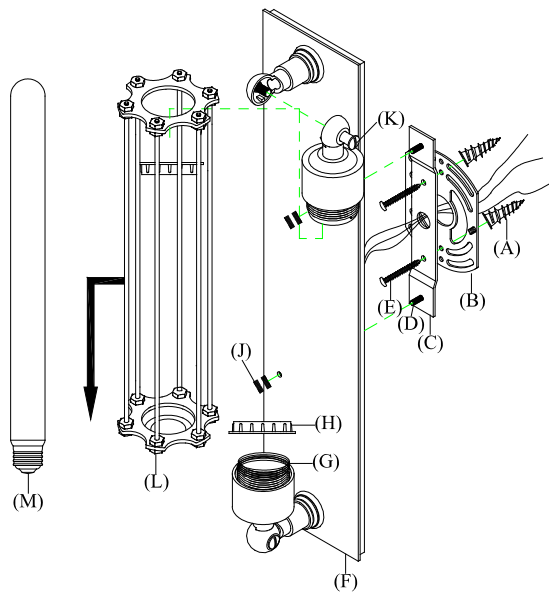


# RH

## EDISON CAGED GRAND SCONCE

### PARTS ENCLOSED

- (A) Metal Anchors (2)
- (B) Mounting Plate (1)
- (C) Mounting Strap (1)
- (D) Threaded Rods (2)
- (E) Mounting Screws (2)
- (F) Fixture Base (1)
- (G) Sockets (2)
- (H) Socket Rings (2)
- (J) Cap Nuts (2)
- (K) Swivel-Pin (1)
- (L) Metal Cage (1)
- (M) Bulb (1)



## IMPORTANT SAFETY INSTRUCTIONS

INSTALLATION BY A LICENSED ELECTRICIAN IS STRONGLY RECOMMENDED.

This fixture has been rated for up to one (1) 60-Watt maximum Type T bulb (40-Watt Type T bulb included). To avoid the risk of fire, do not exceed the recommended wattage.

## WARNINGS

All wires are connected. When unpacking, be careful not to pull wires, as a bad connection may result. Do not connect electricity until your fixture is fully assembled. To reduce the risk of fire, electrical shock, or personal injury, always turn off fixture and allow it to cool prior to replacing the lightbulb. Do not touch or look directly at the bulb when fixture is illuminated. Keep flammable materials away from lit bulb.



**WARNING:** This product can expose you to lead, which is known to the State of California to cause cancer and birth defects or other reproductive harm. For more information, go to [www.P65Warnings.ca.gov](http://www.P65Warnings.ca.gov).

THIS IS NOT A TOY AND THE PRODUCT HAS NO PLAY VALUE.



**WARNING: STRANGULATION HAZARD**

Keep cord at least 3 ft away from cribs, bassinets, and toddler beds. Keep out of reach of children under 3.

## ASSEMBLY &amp; INSTALLATION

SHUT OFF THE MAIN ELECTRICAL SUPPLY FROM THE FUSE BOX OR CIRCUIT BREAKER PANEL.

- Carefully remove all parts from the box and remove all plastic covering.
- Remove Socket Rings (H) from Threaded Sockets (G). Loosen Swivel-Pin (K), remove socket, and set aside.
- Insert Bulb (M) into socket. NOTE: THE LIGHTBULB MUST BE INSERTED THROUGH THE SOCKET RINGS.
- Place Metal Cage (L) over Threaded Socket (G). NOTE: THE METAL CAGE MUST BE PLACED OVER LIGHTBULB. Secure with Socket Rings (G).

## ASSEMBLY &amp; INSTALLATION CONT.

- Place Mounting Plates (B) and Mounting Strap (C) at desired location on wall. Using it as a template, mark center points for both mounting holes with a pencil. Remove Mounting Plate (B) and Mounting Strap (C).
- Drill 1/16" holes on each point location on the wall. If you hit a wall stud, you will not need the enclosed Wall Anchors (A); simply align the holes on Mounting Plate (B) and Mounting Strap (C) with the holes in the wall and secure with Mounting Screws (E).
- If you do not hit a wall stud, you will need to anchor the sconce for stability. Using a Phillips screwdriver, drive Metal Anchors (A) into the holes on the wall by turning clockwise until tight.
- Attach Mounting Plate (B) and Mounting Strap (C) to the wall by aligning the holes with Metal Anchors (A) and secure by inserting Mounting Screws (E) into Metal Anchors (A).
- Connect ground wire from the light fixture (GREEN) to ground wire from ceiling outlet box (usually green or copper in color). Fasten together with a plastic wire connector provided and tightly wrap the wire connector with electrical tape so the end of the connector is sealed. IT IS IMPERATIVE THAT THE OUTLET BOX IN YOUR HOME BE PROPERLY GROUNDED.
- Connect the neutral wire (WHITE) to the neutral outlet wire (usually white) with a plastic wire connector and wrap the connection with electrical tape.
- Repeat the procedure with the hot (BLACK) wire to hot (usually black) outlet wire. Always make sure that no wire strands are left outside of the connections. DO NOT REVERSE THE HOT AND NEUTRAL CONNECTIONS; OTHERWISE, SAFETY WILL BE COMPROMISED.
- Attach Fixture Base (F) to Mounting Plate (B) and Mounting Strap (C), letting Threaded Rods (D) pass through the holes on Fixture Base (F).
- Remove Cap Nut (J) from Threaded Rods (D).
- Place Cap Nuts (J) on Threaded Rods (D) to secure Fixture Base (F) to Mounting Strap (C).
- Restore power to outlet box and check operation of fixture.
- Assembly is complete.

## CARE INSTRUCTIONS

Do not use polishes or cleaners on your lamp. Just wipe clean with a soft cloth.