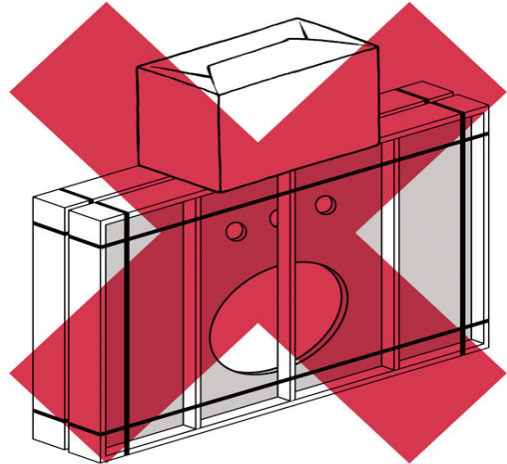
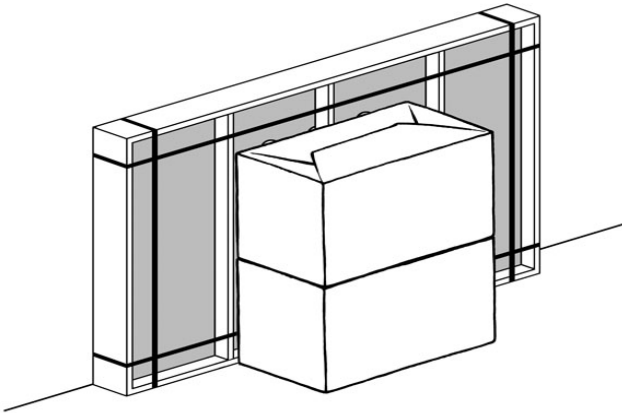


# RESTORATION HARDWARE

## 1930S LAB SINGLE VANITY SINK ASSEMBLY INSTRUCTIONS

### I. Storage

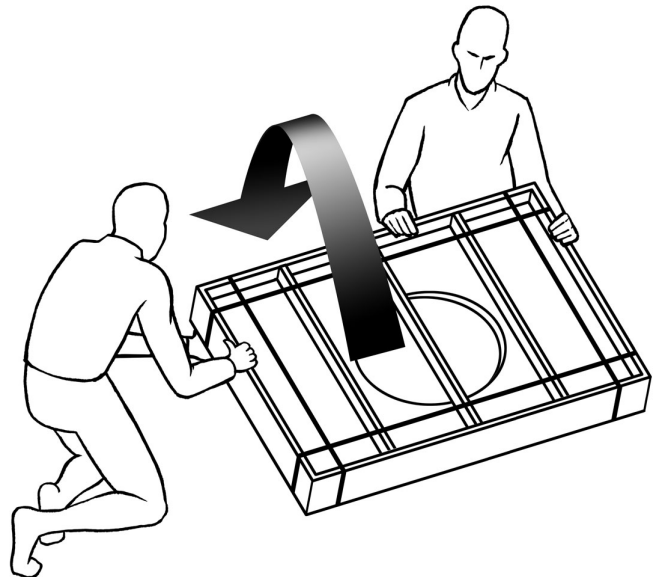
1. Keep marble top in it's crate until installation.
2. Store crate vertically in a place safe from being hit or knocked over
3. Do not stack anything on top of the crate.



### 2. Opening crate

1. Before unpacking make sure you have installation requirements present:
  1. A professional two man crew
  2. Sink base installed according to instructions with plumb wall and floor.
  3. Ensure the marble top is the correct one for the base.
4. Tools and materials required:
  1. Flat, non-abrasive work surface, such as a blanket or smooth cardboard
  2. Carpenter's level
  3. Phillips head screwdriver
  4. Sealant

2. Carefully, without allowing any free fall, rotate the crate from vertical to flat. This is the only time the crate should be horizontal.



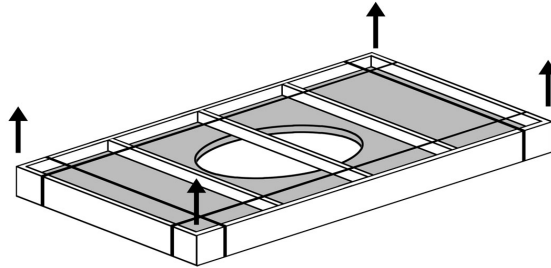
# RESTORATION HARDWARE

## 1930S LAB SINGLE VANITY SINK ASSEMBLY INSTRUCTIONS

---

3. Remove metal bands

4. Unscrew the slats or lid and remove.



### 3. Examination of marble top

1. Examine the marble top for cracks or defects.

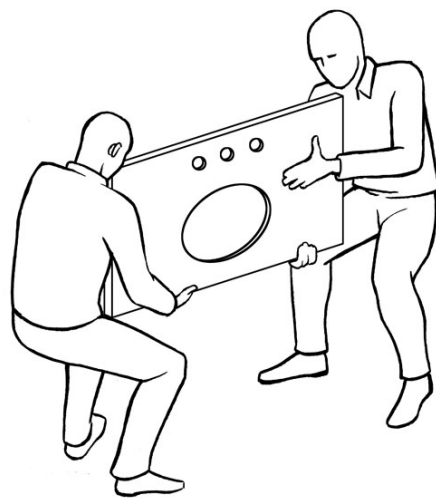
2. If defects are detected, please call 877-777-7059, do not install.

3. To clean the marble top, wipe with a soft cloth.

### 4. Installation of marble top

1. Always use a two man crew, a single person crew is much more likely to break or chip the marble top.

Double tops might require a 3 man crew.



# RESTORATION HARDWARE

## 1930S LAB SINGLE VANITY SINK ASSEMBLY INSTRUCTIONS

---



Caution! Installation between two walls requires special care.

### 2. Specific Instructions for installation between two walls

1. Set top on it's edge at back of counter.
2. Lower the front of the marble top to the sink base, making sure both ends come down at the same rate.
3. Do not shimmie, twist or turn the top as you lower it. - risk of breakage!



If defects are detected please call 877-777-7059 - do not install.

# RESTORATION HARDWARE

## 1930S LAB SINGLE VANITY SINK ASSEMBLY INSTRUCTIONS

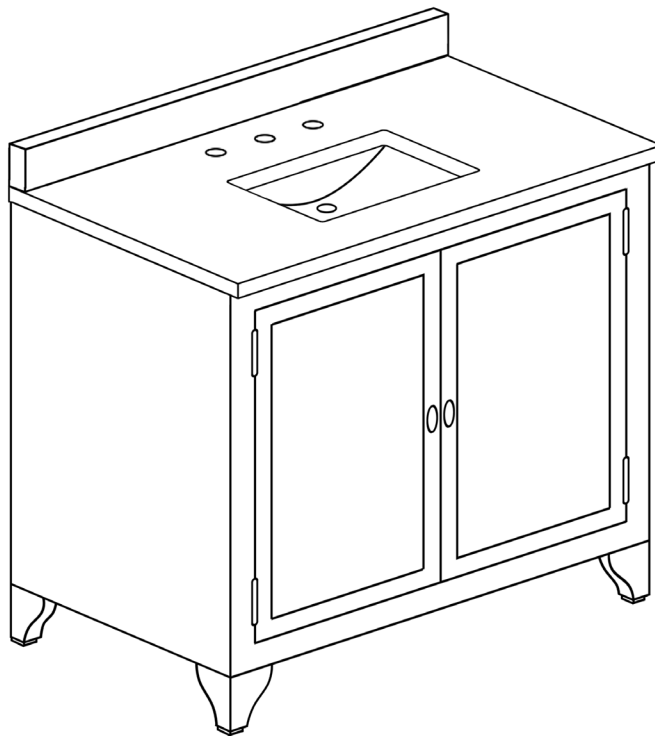
---

### **Before You Begin:**

Professional installation by two-person crew is required for this fixture. Install water supply and drain piping according to local plumbing and building codes. Insure that wall and floor are square and plumb at site of installation.

### **Tools and Materials Required:**

1. Flat, nonabrasive work surface such as a blanket or smooth cardboard
2. Carpenter's level
3. Sealant
4. Phillips head screwdriver



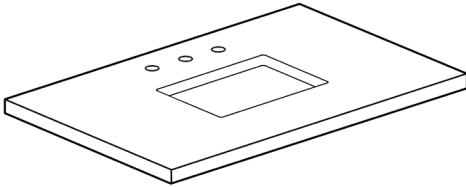
ASSEMBLED SINK

# RESTORATION HARDWARE

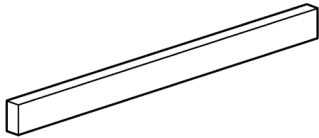
## 1930S LAB SINGLE VANITY SINK ASSEMBLY INSTRUCTIONS

### Parts List

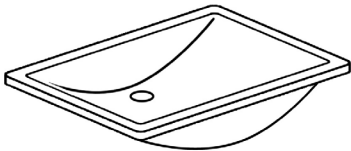
- A. Stone top (sold separately)



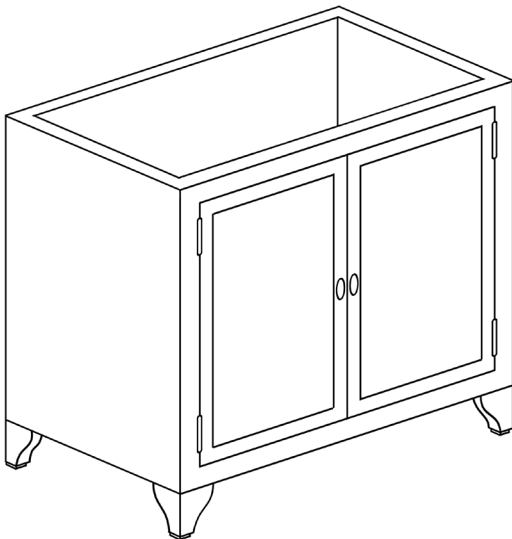
- B. Backsplash (sold separately)



- C. Lavatory basin



- D. Vanity base



### Parts List

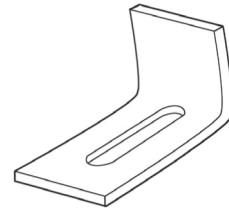
- E. Calk in anchor (x4)



- F. Calk in anchor sleeve (x4)



- G. "L" Bracket (x4)



- H. Washer (x4)



- I. Screw (x4)



- J. Setting Tool



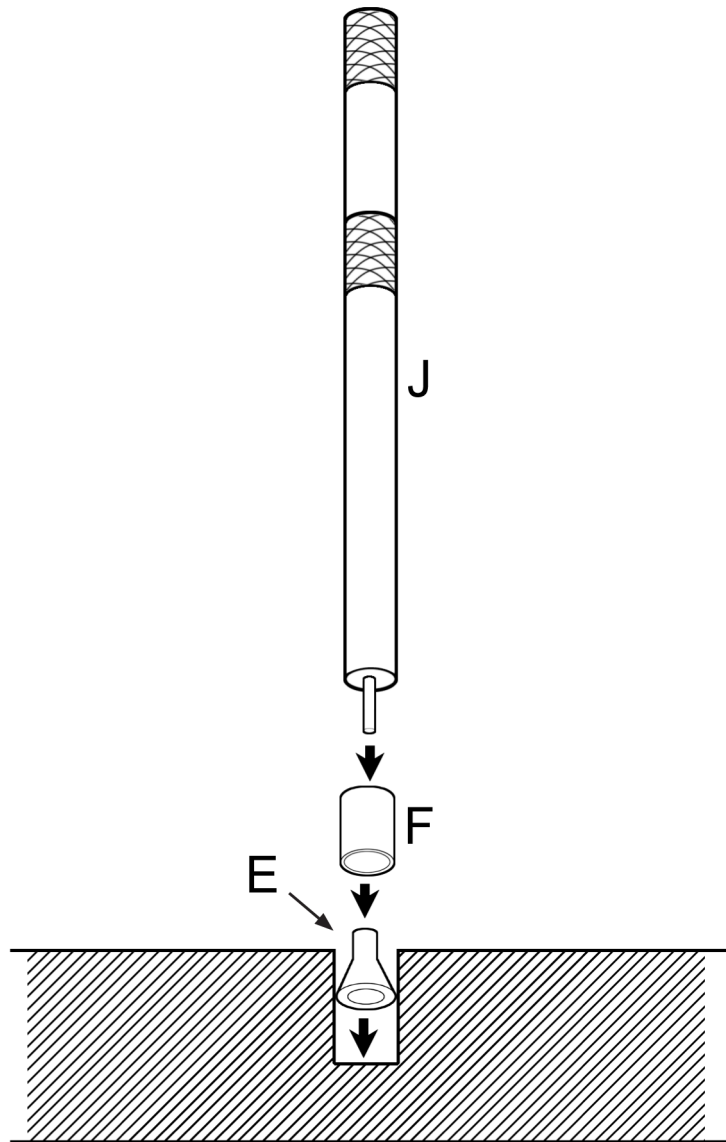
# RESTORATION HARDWARE

## 1930S LAB SINGLE VANITY SINK ASSEMBLY INSTRUCTIONS

---

### Assembly Instructions:

1. Using two people, carefully place stone top upside down on a flat, non-abrasive surface.
2. Using setting tool (J), hammer calk-in anchors (E) straight into pre-drilled holes on underside of stone top. (see illustration)

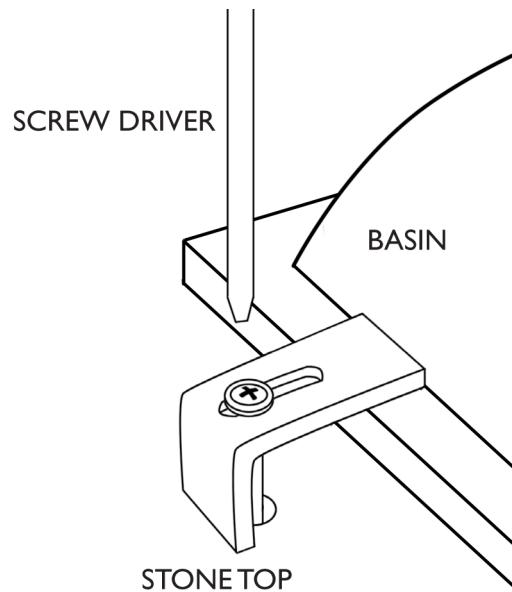


# RESTORATION HARDWARE

## 1930S LAB SINGLE VANITY SINK ASSEMBLY INSTRUCTIONS

---

3. Apply a continuous bead of sealant to the top surface of rim of lavatory basin (C) where it will contact underside of stone top. Position lavatory basin in its final location, upside down on underside of stone top. Overflow of lavatory basin should be on same side as pre-drilled faucet holes on stone top.
4. Place four "L" brackets (G) with long sides over the lavatory basin rim.
5. Insert screws (I) through washers (H) and "L" brackets. Screw into call-in anchors with screwdriver. (See Illustration.) (Do not over-tighten.) Insure that lavatory basin is securely attached to stone top.



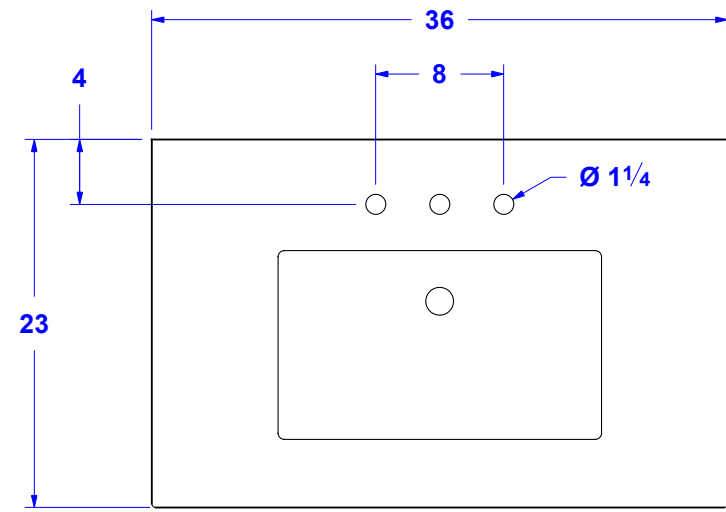
6. Using two people, turn stone top with attached basin over and position carefully on top of vanity base.

### **Cleaning and Maintenance Instructions:**

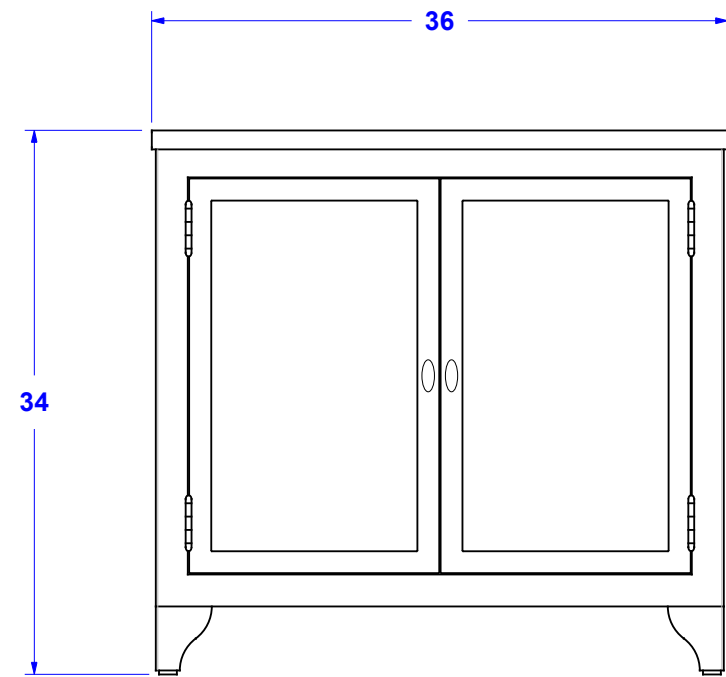
Avoid abrasive and harsh chemical cleaners.

To maintain and protect luster of vanity sink components, Restoration Hardware Bathroom Cleaning Products are recommended.

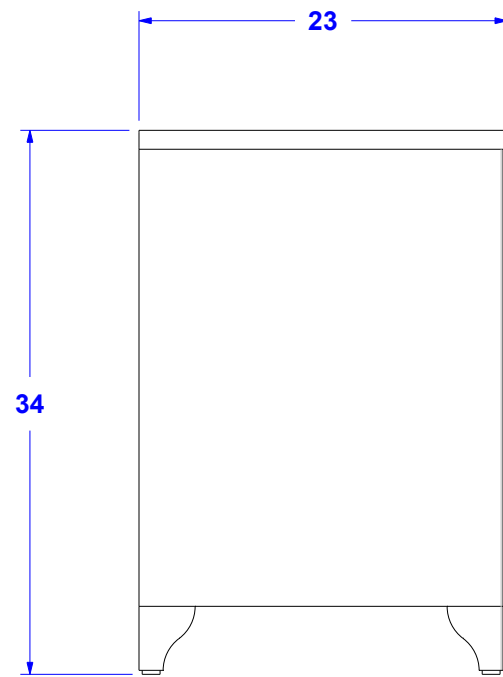
Restoration Hardware natural stone tops have a honed finish and hand-polished edges. They are sealed twice before shipment with inert silicone sealant. For cleaning and maintenance, Restoration Hardware Stone Care Products are recommended. To maintain your natural stone top, reseal it once a year.



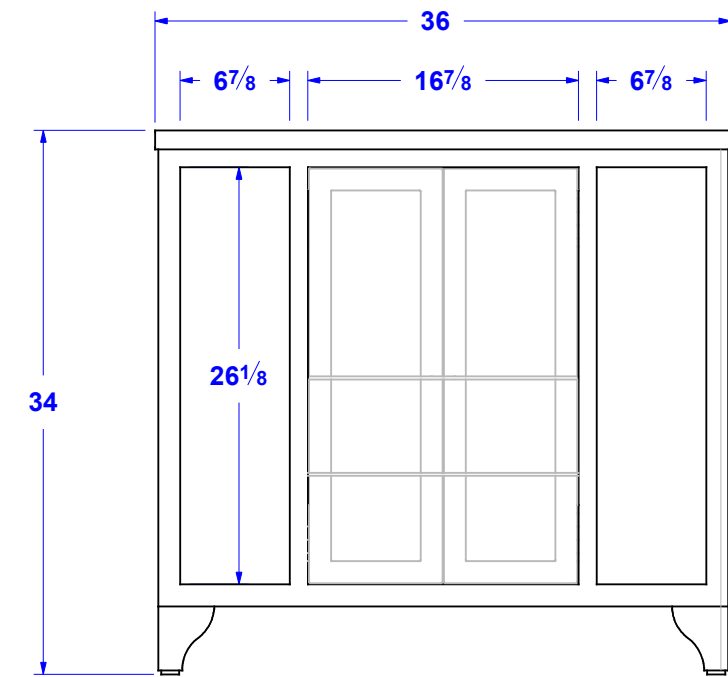
TOP VIEW



FRONT VIEW

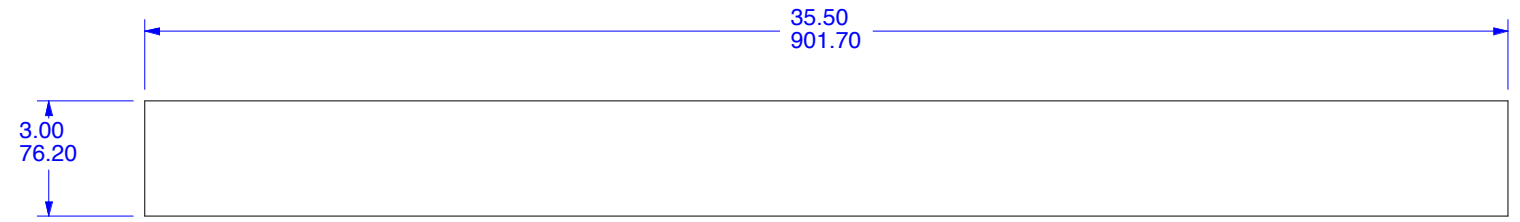


SIDE VIEW

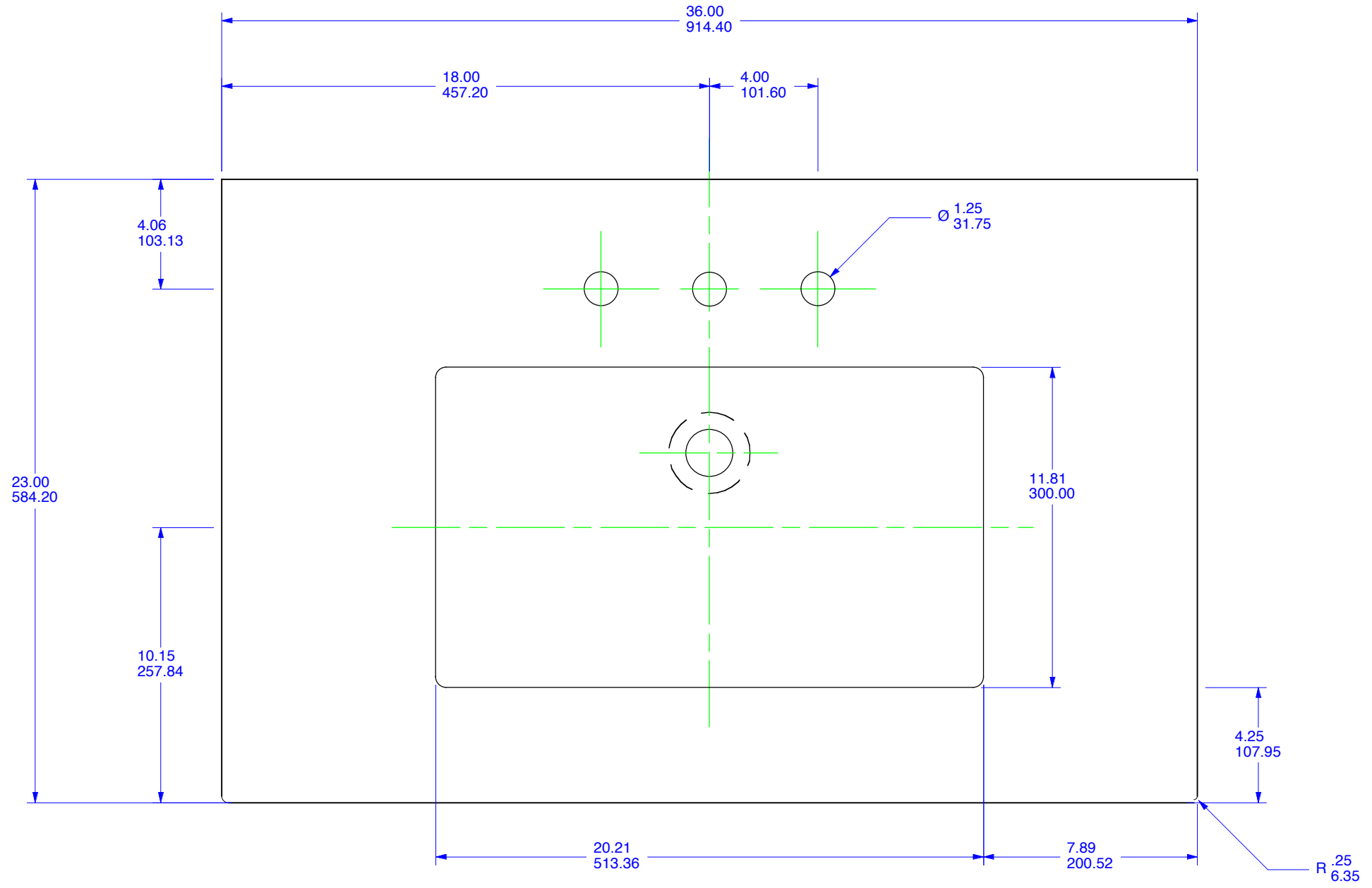


BACK VIEW





FRONT ELEVATION OF BACK SPLASH



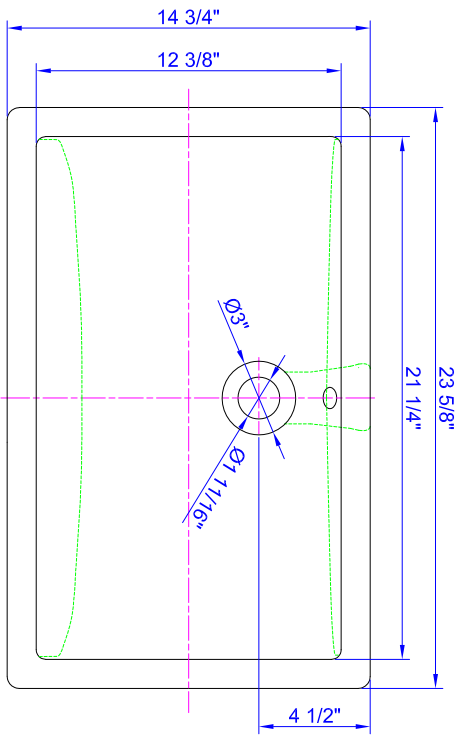
LABORATORY & PHARMACY 36 SINGLE STONE TOP

SCALE: 1 : 5 | DWG #: 1 of 1 | DATE: 03/02/12

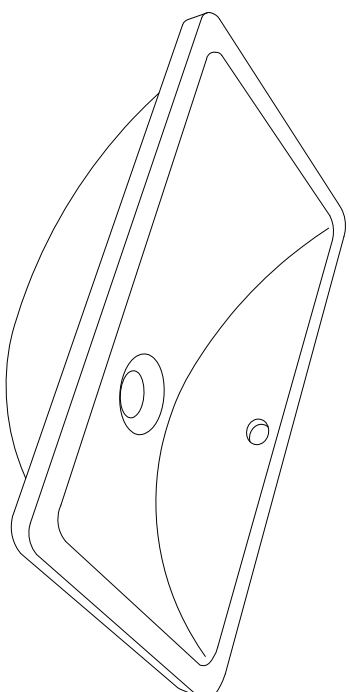
COPYRIGHT © 2012 RESTORATION HARDWARE, INC.

NOTE: ALL STONE IS 30 MM THICK

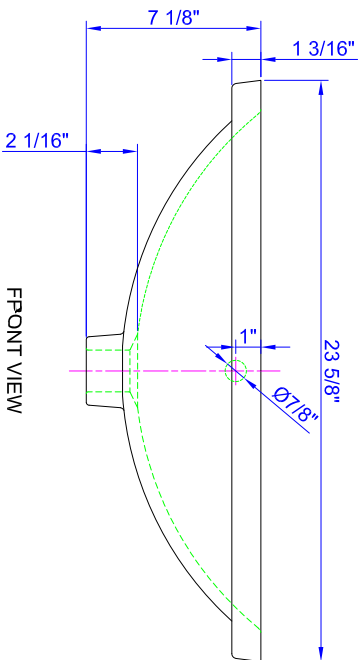
CONFIDENTIAL. OWNED BY RESTORATION HARDWARE, INC. NOT TO BE USED OR COPIED WITHOUT EXPRESS WRITTEN PERMISSION OF RESTORATION HARWARE, INC.



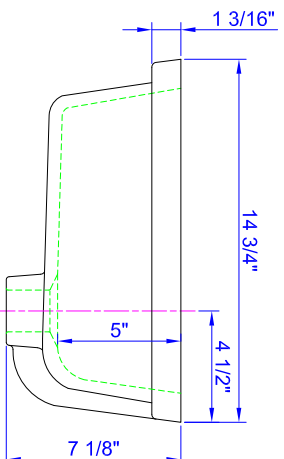
TOP VIEW



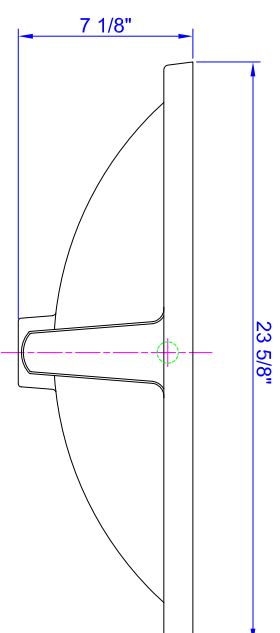
3D VIEW



FRONT VIEW



SIDE VIEW



BACK VIEW

## RECTANGULAR BASIN

DRAWINGS REPRESENT ORIGINAL DESIGN SPECIFICATIONS. ACTUAL PRODUCT DIMENSIONS MAY VARY SLIGHTLY.  
ALL DIMENSIONS ARE REPRESENTED IN INCHES.  
PROFESSIONAL INSTALLATION REQUIRED

## RESTORATION HARDWARE

Unless otherwise noted, all design and content, images, artwork, graphics, photography, text, and the like are copyrights, trademarks, trade dress, and/or intellectual property that are owned, controlled, or licensed by Restoration Hardware.