

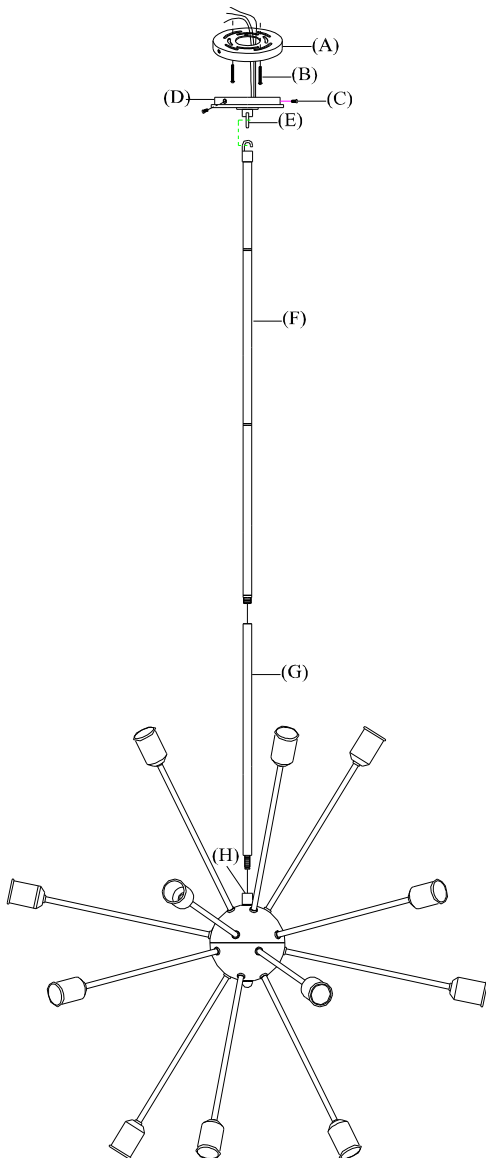
# RESTORATION HARDWARE

## SPUTNIK FILAMENT CHANDELIER LARGE

### PARTS ENCLOSED

- (A) Mounting plate (1)
- (B) Mounting screws (2)
- (C) Base screws (3)
- (D) Canopy base (1)
- (E) Threaded ring (1)
- (F) Upper pole (1)
- (G) Lower pole (1)
- (H) Lamp pole body (1)

### LARGE SPUTNIK PENDANT



### IMPORTANT SAFETY INSTRUCTIONS:

WE RECOMMEND INSTALLATION BY A LICENSED ELECTRICIAN.

This fixture has been rated for up to twenty (20) 40-watt maximum Type A light bulbs (included). To avoid the risk of fire, do not exceed the recommended wattage.

### WARNINGS:

1. Do not remove the lamp from its packaging by pulling on the power cord, as a bad connection may result.
2. Do not connect electricity until your lamp is fully assembled.
3. To reduce the risk of fire, electrical shock, or personal injury, always turn off lamp and allow it to cool prior to replacing light bulb.
4. Do not touch bulb when fixture is turned on or look directly at lit bulb.
5. Keep flammable materials away from lit bulb.

### TO ASSEMBLE:

1. SHUT OFF THE MAIN ELECTRICAL SUPPLY FROM THE MAIN FUSE BOX/CIRCUIT BREAKER!
2. Carefully remove all parts from the box and remove all plastic covering.
3. Remove mounting plate (A) from canopy base (D) by removing base screws (C).
4. Affix mounting plate (A) to ceiling outlet box with mounting screws (B) provided.
5. Gently pull the wiring from the ceiling outlet box and allow the wires to hang. Thread the wires through the center hole in the mounting plate (A).
6. Attach lower pole (G) to top opening of lamp pole body (H) by turning (G) in clockwise direction.
7. Attach upper pole (F) to top opening of lower pole (G) by turning (F) in clockwise direction.
8. Attach the fixture ground wire and house ground wire (bare wire) to ceiling outlet box with the green grounding screw. Connect fixtures to corresponding house wire with a wire nut. Carefully tuck the wires back into the outlet box. IT IS IMPERATIVE THAT THE OUTLET BOX IN YOUR HOME BE PROPERLY GROUNDED.
9. Connect the neutral wire (ridges molded wire) to the neutral outlet wire (usually white) with a plastic wire connector and wrap the connection with electrical tape.
10. Connect the hot wire (smooth wire) to the outlet box wire (usually black) with a plastic wire connector and wrap the connection with electrical tape. DO NOT REVERSE THE HOT AND NEUTRAL CONNECTIONS OTHERWISE SAFETY WILL BE COMPROMISED.
11. Attach canopy base (D) to mounting plate (A), tighten with base screws (C).
12. Hook the upper pole (F) to threaded ring (E).
13. Insert included light bulbs into sockets.
14. Restore power to outlet box and check operation of fixture.
15. Assembly is complete.

### CARE INSTRUCTIONS:

Wipe all surfaces with a soft dry cloth. Clean glass with a mild soap and water mixture. Do not use any harsh cleaners (including ammonia-based products) or abrasives, as they will damage the finish.