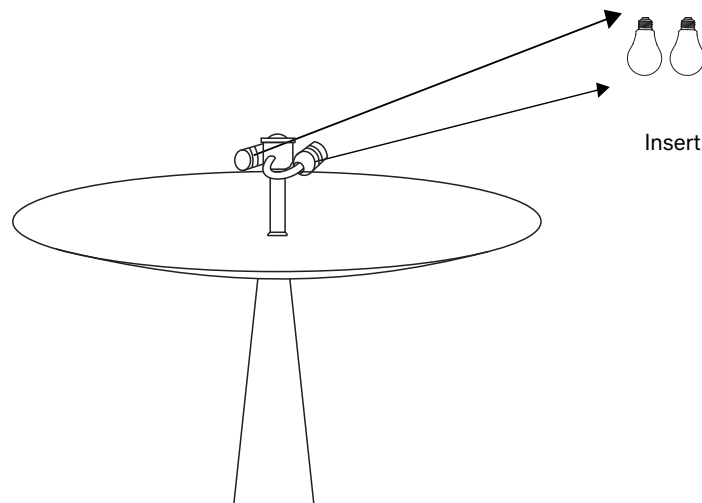
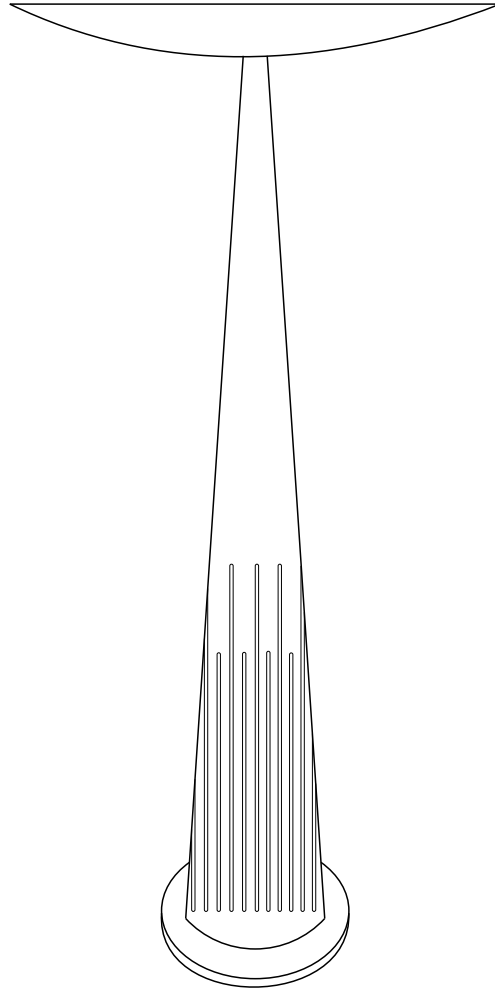


RH

OTTIMO TORCHIRE FLOOR LAMP

This floor lamp has been rated up to 60-watt maximum
Type A standard light bulbs or 9-watt LED bulb.
To avoid the risk of fire, do not exceed the recommended
wattage.



Insert two A-19 LED Bulbs into the sockets.

IMPORTANT SAFETY INSTRUCTIONS :

For safety purposes, this lamp is equipped with a polarized plug (one blade wider than the other). If the plug does not fit securely into outlet, do not force it, contact a professional electrician. Use the plug with an extension cord, only if it can be fully inserted into the cord's socket. Never alter the plug in any way. This fixture has been rated for up to (2) 9 Watt LED bulb or 60 Watt Type A bulb. To avoid the risk of fire, do not exceed the recommended wattage.

TO ASSEMBLE :

1. Carefully unpack all the contents from the box and remove all wrapping on all parts.
2. Insert the recommended bulb into the threaded socket.
3. Plug into proper electrical outlet and test fixture.
4. Lamp is now ready for consumer use.

WARNINGS :

1. All wires are connected.
2. Do not remove the lamp from the packaging by pulling on the power cord, as a bad connection may result.
3. To reduce the risk of fire, electrical shock, or personal injury, always turn off and unplug lamp and allow it to cool prior to replacing light bulb.
4. Do not touch bulb when fixture is turned on or look directly at lit bulb.
5. Keep flammable materials away from lit bulb.

THIS IS NOT A TOY AND THE PRODUCT HAS NO PLAY VALUE



WARNING: STRANGULATION HAZARD

Keep cord at least 3 ft away from cribs, bassinets, and toddler beds.
Keep out of reach of children under 3.

CARE INSTRUCTIONS :

Avoid the use of all polishers, cleaners, and abrasives, as they will damage the finish of your lamp.
To remove dust or fingerprints, wipe gently with a soft, clean cloth.