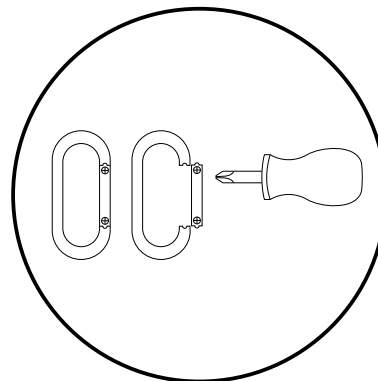
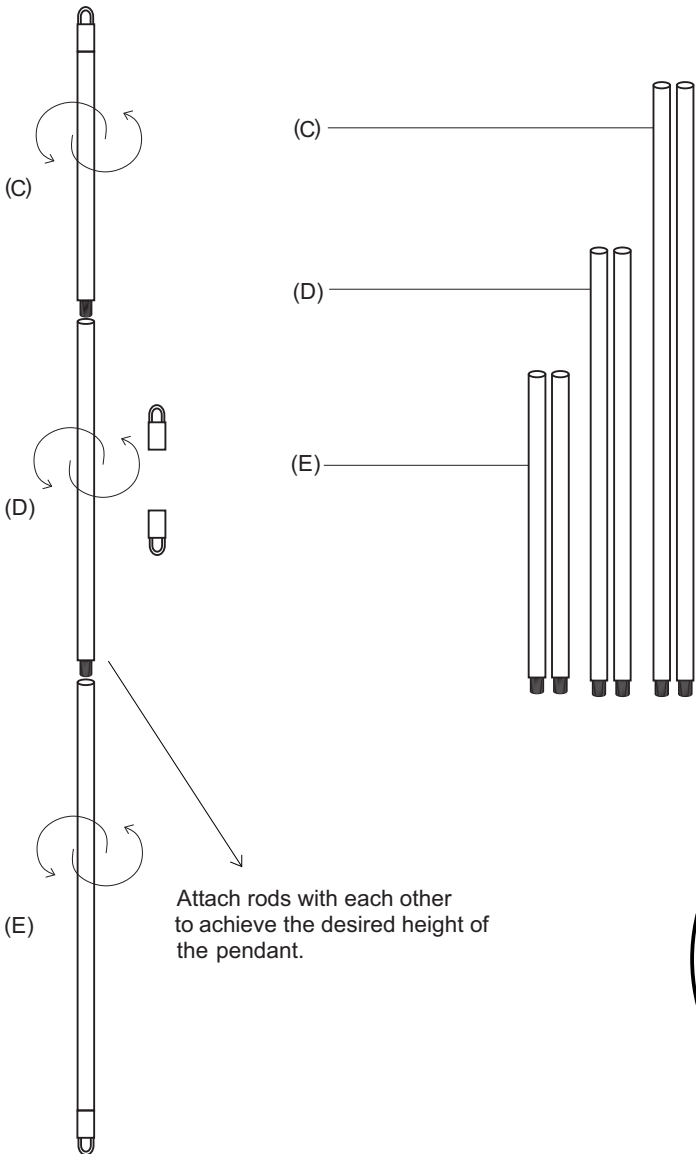
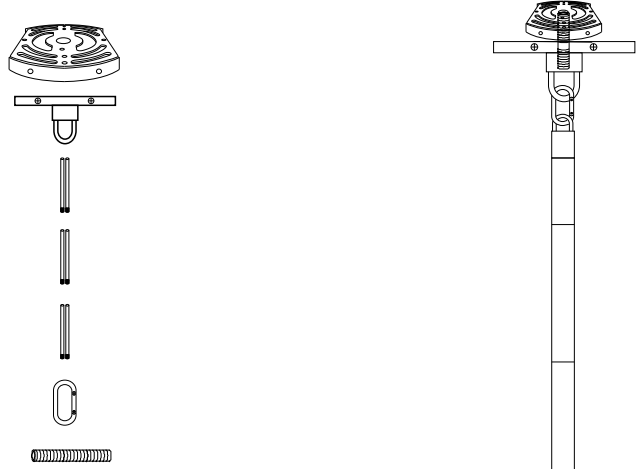


RH

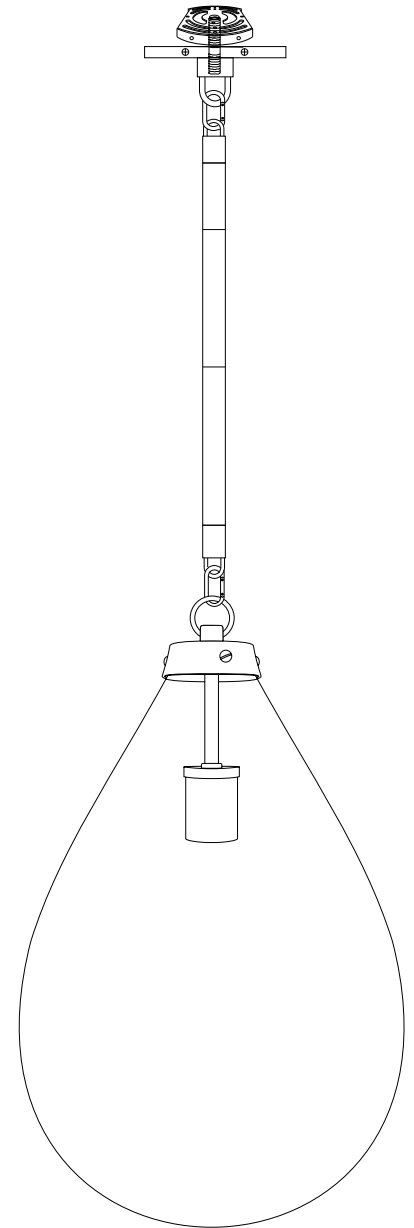
TEARDROP PENDANT 18"

PARTS ENCLOSED:

- (A) Mounting Plate (1)
- (B) Canopy (1)
- (C) 18" Extension Rods (2)
- (D) 13" Extension Rods (2)
- (E) 8" Extension Rods (2)
- (F) Carabiner (2)
- (G) Nipple (1)



Use Phillip screwdriver to open carabiner screws.



IMPORTANT PLEASE READ**WE RECOMMEND INSTALLATION BY A LICENSED ELECTRICIAN.****SAFETY INSTRUCTIONS:**

This pendant must be mounted to the ceiling independent of an outlet box. Your ceiling may require modification to allow the mounting plate to be secured to a structural member. This fixture **MUST NOT** be secured using any type of hollow ceiling anchor, such as a toggle bolt.

This pendant has been rated for up to 60-watt maximum Type A standard lightbulb (not included) or 9-watt LED bulb (not included). To avoid the risk of fire, do not exceed the recommended wattage.

WARNINGS:

All wires are connected. When unpacking, be careful not to pull wires as a bad connection may result. Do not connect electricity until your pendant is fully assembled. To reduce the risk of fire, electrical shock, or personal injury, always turn off pendant and allow it to cool prior to replacing the lightbulb. Do not touch the bulb when pendant is turned on or look directly at lit bulb. Keep flammable materials away from lit bulb.

THIS IS NOT A TOY AND THE PRODUCT HAS NO PLAY VALUE.**WARNING: STRANGULATION HAZARD**

Keep cord at least 3 ft away from cribs, bassinets, and toddler beds. Keep out of reach of children under 3.

ASSEMBLY & INSTALLATION:

1. Carefully remove all parts from the box and remove all plastic covering.
2. Determine the hanging length of pendant.
Join Extension Rods (C) (D) (E) according to the height needed.
3. Feed wires through the Connection Rods; the wires will come out on the backside of the Canopy (B).
4. Attach Mounting Plate (A) to ceiling and secure with mounting screws (not included) and proper fasteners from your local hardware store.
5. Hook Carabiner on Connection Rods (C) (D) (E) to Canopy Loop (B).
6. Carefully inspect the pendant's two fixture wires. One has very fine ridges molded into the plastic covering – this is the **NEUTRAL WIRE**. The second wire's covering is smooth – this is the **HOT WIRE**. The bare wire is the **GROUND WIRE**.
7. Connect the **GROUND WIRE** from the fixture with the ground wire (usually bare) from your ceiling box using a wire nut. If your house does not have ground wire, then attach the **GROUND WIRE** from the fixture to the green grounding screw inside of the outlet box. **IT IS IMPERATIVE THAT THE OUTLET BOX IN YOUR HOME BE PROPERLY GROUNDED.**
8. Connect the **NEUTRAL WIRE** from your pendant with the neutral wire (usually white) from your ceiling box using a wire nut.
9. Connect the **HOT WIRE** from your fixture with the hot wire (usually black) from your outlet box using a wire nut. **DO NOT REVERSE THE HOT AND NEUTRAL CONNECTIONS; OTHERWISE, SAFETY WILL BE COMPROMISED.**
10. Tuck the wire connection neatly into the ceiling outlet box.
11. Attach Canopy (B) with light pendant to affixed Mounting Plate (A).
12. Open the three screws from the pendant's metal cap and remove the glass part of the pendant.
13. Insert the recommended bulb into socket.
14. Place the glass part of the pendant and tighten with the three screws.
15. Assembly is complete.

CARE INSTRUCTIONS:

Wipe all surfaces with a soft, dry cloth. Clean glass with a mild soap and water mixture. Do not use any harsh cleaners (including ammonia-based products) or abrasives, as they will damage the finish.

CANOPY INSTALLATION INSTRUCTIONS

