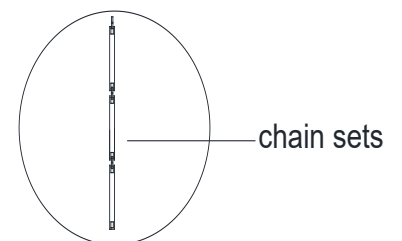
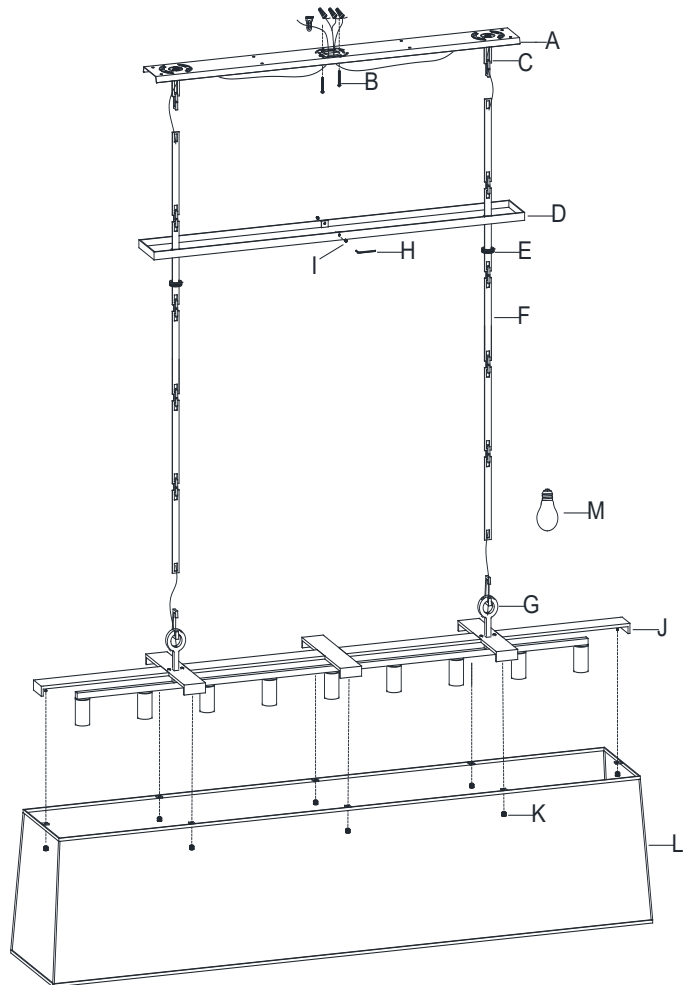


RH

PORTOLA CHANDELIER 72"

PARTS ENCLOSED

- (A) Mounting Plate (1)
- (B) Mounting Screws (2)
- (C) Mounting Loops (2)
- (D) Canopy (1)
- (E) Canopy Rings (2)
- (F) Chain Sets (4)
- (G) Hanging Loops (2)
- (H) Allen Wrench (1)
- (I) Set Screws (2)
- (J) Lamp Body (1)
- (K) Cap Nuts (8)
- (L) Shade (1)
- (M) Bulbs (9)



IMPORTANT SAFETY INSTRUCTIONS

INSTALLATION BY A LICENSED ELECTRICIAN IS STRONGLY RECOMMENDED.

This fixture has been rated for up to nine (9) 40-Watt maximum Type A standard light bulbs (M) (included) or nine (9) 9-Watt compact fluorescent light bulbs (not included) or nine (9) 9-Watt-SBLED light bulbs (not included). To avoid the risk of fire, do not exceed the recommended wattage.

WARNINGS

All wires are connected. When unpacking, be careful not to pull wires, as a bad connection may result. Do not connect electricity until your fixture is fully assembled. To reduce the risk of fire, electrical shock, or personal injury, always turn off fixture and allow it to cool prior to replacing the lightbulb. Do not touch or look directly at the bulb when fixture is illuminated. Keep flammable materials away from lit bulb.



WARNING: This product can expose you to lead, which is known to the State of California to cause cancer and birth defects or other reproductive harm. For more information, go to www.P65Warnings.ca.gov.

THIS IS NOT A TOY AND THE PRODUCT HAS NO PLAY VALUE.



WARNING: STRANGULATION HAZARD

Keep cord at least 3 ft away from cribs, bassinets, and toddler beds. Keep out of reach of children under 3.

ASSEMBLY & INSTALLATION

SHUT OFF THE MAIN ELECTRICAL SUPPLY FROM THE FUSE BOX OR CIRCUIT BREAKER PANEL.

- Carefully remove all parts from the box and remove all plastic covering.
- According to the hanging length, hook some or all Chain Sets (F) to Hanging Loops (G).
- Remove Canopy (D) from Mounting Plate (A) by unscrewing Canopy Rings (E) and Set Screws (I) using Allen Wrench (H) provided.

ASSEMBLY & INSTALLATION CONT.

- Slide Canopy Rings (E) and Canopy (D) on Chain Sets (F).
- Feed the wires through the Chain Sets (F), Canopy Rings (E) and Canopy (D).
- Attach Mounting Plate (A) to ceiling and secure with Mounting Screws (B) and other proper fasteners from your local hardware store.
- Hook the Chain Sets (F) with Lamp Body (J) to Mounting Loop (C).
- Connect the safety steel wire from the fixture and the safety cable from ceiling. Refer to the illustration.
- Gently pull the wire from ceiling outlet box and allow the wire to hang. Thread the wire through the center hole of Mounting Plate (A).
- Attach the fixture ground wire (GREEN) and house ground wire (usually green or bare wire) to wall outlet box with the green grounding screw. Connect fixtures to corresponding house wire with a wire nut. Carefully tuck the wires back into the outlet box. IT IS IMPERATIVE THAT THE OUTLET BOX IN YOUR HOME BE PROPERLY GROUNDED.
- Connect the neutral wire (WHITE) to the neutral outlet wire (usually white) with a plastic wire connector and wrap the connection with electrical tape.
- Connect the hot wire (BLACK) to the hot outlet box wire (usually black) with a plastic wire connector and wrap the connection with electrical tape. DO NOT REVERSE THE HOT AND NEUTRAL CONNECTIONS; OTHERWISE, SAFETY WILL BE COMPROMISED.
- Slide Canopy (D) to the affixed Mounting Plate (A) and secure with Canopy Rings (E) and Set Screws (I). Tighten with Allen Wrench (H).
- Loosen Cap Nuts (K). Attach Shade (L) to Lamp Body (J) and let the nipples on Lamp Body (J) pass through the small holes on Shade (L). Secure with Cap Nuts (K).
- Insert Bulbs (M) into the sockets.
- Restore power to outlet box and check operation of fixture.
- Assembly is complete.

CARE INSTRUCTIONS

Do not use polishes or cleaners on your lamp. Just wipe clean with a soft cloth.