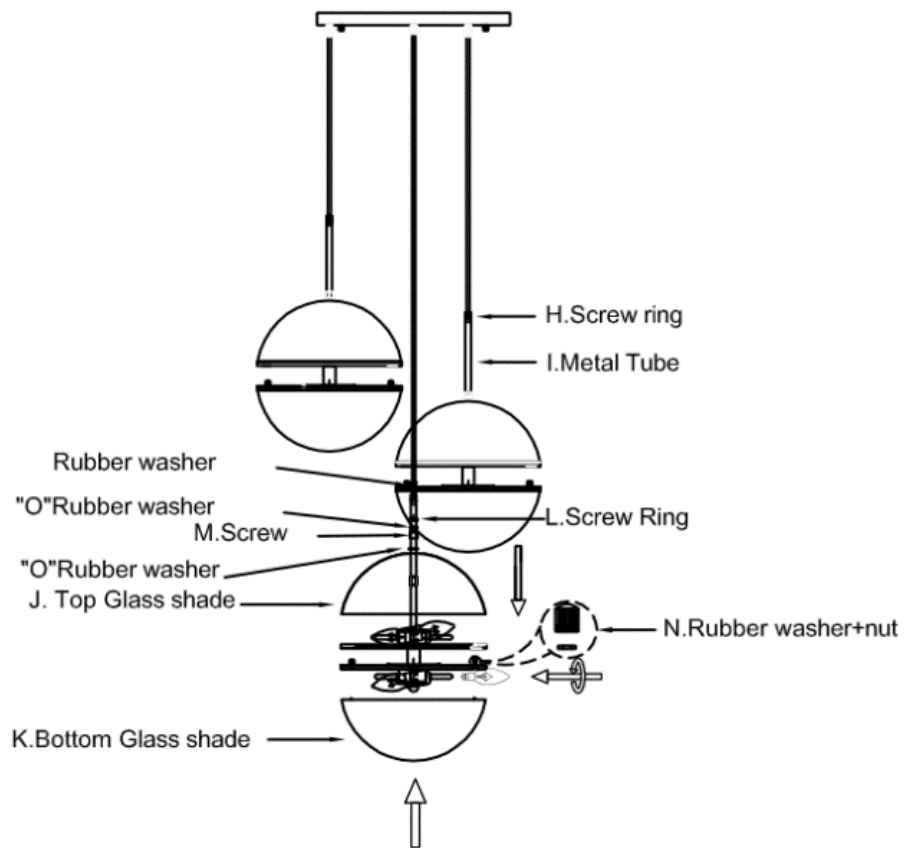
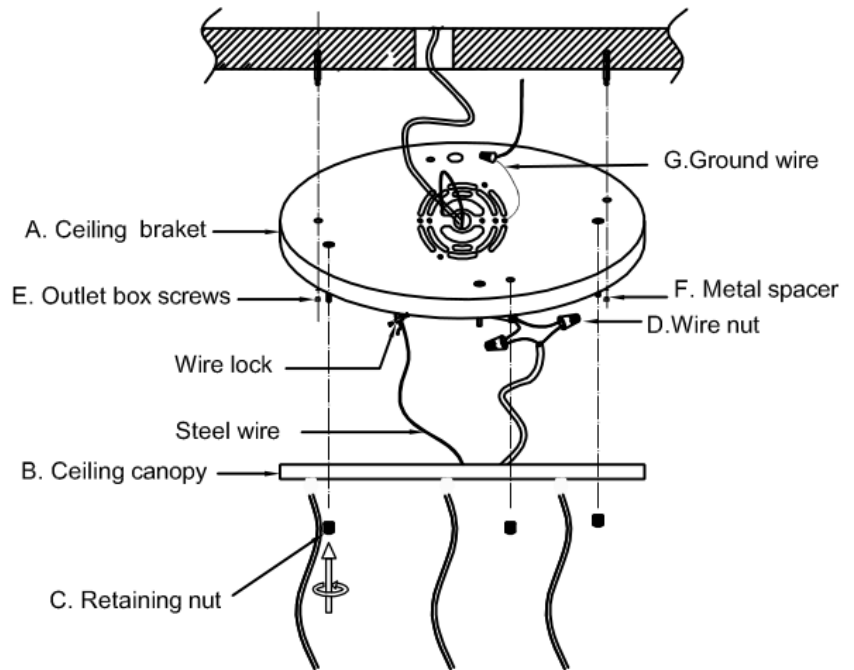


PARTS ENCLOSED:

- (A) CEILING BRACKET (1)
- (B) CEILING CANOPY (1)
- (C) RETAINING NUT (4)
- (D) WIRE NUT (3)
- (E) OUTLET BOX SCREW (4)
- (F) METAL SPACER (4)
- (G) GROUND WIRE (1)
- (H) SCREW RING (3)
- (I) METAL TUBE (1)
- (J) TOP GLASS SHADE (3)
- (K) BOTTOM GLASS SHADE (3)
- (L) SCREW RING (3)
- (M) SCREW (3)
- (N) RUBBER WASHER+NUT (6)





GLASS HEMISPHERE 3LIGHT ROUND CHANDELIER

IMPORTANT PLEASE READ

IMPORTANT INSTRUCTION:

- (1) Use an authorized and certified electrician for consultation and installation. Electrician must be familiar with commercial-type application of very wall lamp and hazards involved. Electrician should install it as per applicable installation code.
- (2) This fixture has been rated for 12x5-watt maximum E12, type B LED bulb.
- (3) To avoid the risk of fire, do not exceed the recommended wattage.
- (4) The ceiling must have at least the load bearing capacity of 5 times of the weight of the ceiling light. For this light, ceiling should have load bearing capacity of 171lbs, at least.
- (5) The manufacturer and distributor accept no liability for incorrect installation.
- (6) For indoor use only.
- (7) Keep away from children.

WARNINGS:

- (1) Turn-off electricity supply at main circuit panel before installing. Do not connect electricity supply until your wall lamp is fully assembled and installed.
- (2) All wires are connected. Do not remove the wall lamp from its packaging by pulling on the power cord, as a bad connection may result.
- (3) To reduce the risk of fire, electrical shock, or personal injury, always turn off the light and allow it to cool prior to replacing light bulb. Do not touch bulb when fixture is turned on or look directly at light bulb. Keep flammable materials away from light bulb.
- (4) Deviation from instruction may result in a risk of fire or electric shock.

ASSEMBLY & INSTALLATION:

- (1) Carefully remove the parts from the carton and place them on a flat surface. Please make sure that you have all the parts indicated before you begin to assemble this item.
- (2) Determine the hanging length of chandelier. Adjust the wire according to the height needed.
- (3) Remove ceiling bracket (A) from ceiling canopy (B) by unscrewing retaining nut (C).
- (4) Fasten the ceiling bracket (A) onto the Outlet Box by using the Outlet Box Screw (E) with Metal spacer (F).
- (5) Thread the wires through the component (suspension eye), retaining nut (C), ceiling canopy (B) and connect the 3 power wires. The slick wire is the live wire, the coarse wire is the neutral wire and the brass wire is the earth wire. And fixed the extras Steel wire to the ceiling with wire lock. It can fixed the chandelier stronger.
- (6) Screw the ceiling canopy (with retaining nut C) to the ceiling bracket and fix it securely by tightening the retaining nut.
- (7) Check whether the connection is sufficiently strong. Carefully lower the lamp until the wire are taut.
- (8) Install 12pcs 5-Watt maximum Type B LED light bulb into the socket of the fixture. DO NOT EXCEED THE SPECIFIED WATTAGE.
- (9) Fasten the top glass (J) carefully. Fixed it with screws (M) and "O" rubber washer, screw ring (L), tube (I) Rubber washer and the screw ring (H).
- (10) Fix the bottom glass shade (K) with rubber washer and nuts (N)

CARE INSTRUCTIONS:

- Do not use polishes or cleaners on your lamp.
- Wipe clean with a soft cloth.

THIS IS NOT A TOY. THE PRODUCT HAS NO PLAY VALUE.