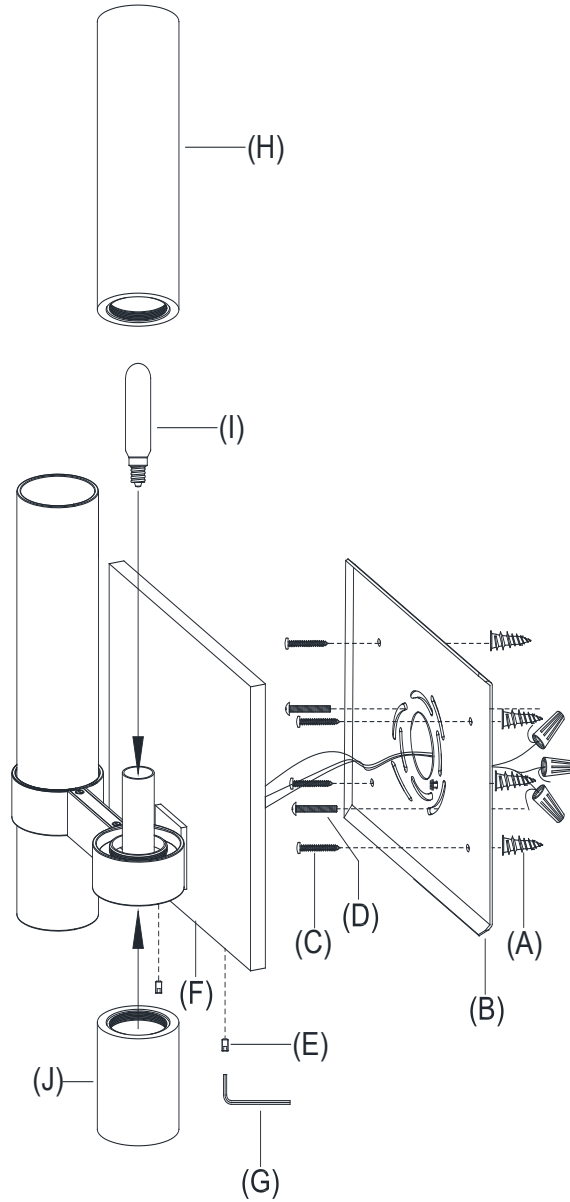


# RH

## RAVELLE DOUBLE SCONCE 12"

### PARTS ENCLOSED

- (A) Metal Anchors (4)
- (B) Mounting Plate (1)
- (C) Wall Screws (4)
- (D) Mounting Screws (2)
- (E) Set Screws (2)
- (F) Lamp Base (1)
- (G) Allen Wrench (1)
- (H) Glass Shades (2)
- (I) Bulbs (2)
- (J) Glass Cylinders (2)



## RAVELLE DOUBLE SCONCE 12"

**IMPORTANT SAFETY INSTRUCTIONS**

INSTALLATION BY A LICENSED ELECTRICIAN IS STRONGLY RECOMMENDED.

This fixture has been rated for two (2) 40-Watt maximum TYPE T lightbulbs (I) (included) or two (2) 9-Watt SBLED lightbulbs (not included). To avoid the risk of fire, do not exceed the recommended wattage.

**WARNINGS**

All wires are connected. When unpacking, be careful not to pull wires, as a bad connection may result. Do not connect electricity until your fixture is fully assembled. To reduce the risk of fire, electrical shock, or personal injury, always turn off fixture and allow it to cool prior to replacing the lightbulb. Do not touch or look directly at the bulb when fixture is illuminated. Keep flammable materials away from lit bulb.



**WARNING:** This product can expose you to lead, which is known to the State of California to cause cancer and birth defects or other reproductive harm. For more information, go to [www.P65Warnings.ca.gov](http://www.P65Warnings.ca.gov).

**THIS IS NOT A TOY AND THE PRODUCT HAS NO PLAY VALUE.**



**WARNING: STRANGULATION HAZARD**

Keep cord at least 3 ft away from cribs, bassinets, and toddler beds. Keep out of reach of children under 3.

**ASSEMBLY & INSTALLATION**

SHUT OFF THE MAIN ELECTRICAL SUPPLY FROM THE FUSE BOX OR CIRCUIT BREAKER PANEL.

1. Carefully remove all parts from the box and remove all plastic covering.
2. Remove Mounting Plate (B) from the Lamp Base (F) by unscrewing Set Screw (E) with Allen Wrench (G).
3. Place Mounting Plate (B) at desired location on the wall. Mark center point locations for two hanging holes with a pencil. Remove Mounting Plate (B).
4. Drill small holes on each point location on the wall; each hole should be large enough to accommodate a Metal Anchor (A). Push Metal Anchors (A) into the holes in the wall.
5. Align the holes and attach Mounting Plate (B) to the wall outlet. Secure by inserting Wall Screws (C) into the Metal Anchors (A) and Mounting Screws (D) into the wall outlet box and tightening the screws.
6. Attach the fixture ground wire (GREEN) to the ground wire from the outlet box (usually green) with a metal wire connector and wrap the connection with electrical tape.
7. Connect the hot wire (BLACK) to the hot outlet box wire (usually black) with a plastic wire connector and wrap the connection with electrical tape.
8. Connect the neutral wire (WHITE) to the neutral outlet wire (usually white) with a plastic wire connector and wrap the connection with electrical tape.
9. Attach Lamp Base (F) to the affixed Mounting Plate (B) and secure with Set Screw (E). Tighten with Allen Wrench (G).
10. Insert Bulbs (I) into sockets.
11. Screw Glass Cylinders (J) onto bottom of shade holder on Fixture Base (F); screw Glass Shades (H) onto top of shade holder on Fixture Base (F).
12. Restore power to outlet box and check operation of fixture.
13. Assembly is complete.

**CARE INSTRUCTIONS**

Do not use polishes or cleaners on your lamp. Just wipe clean with a soft cloth.