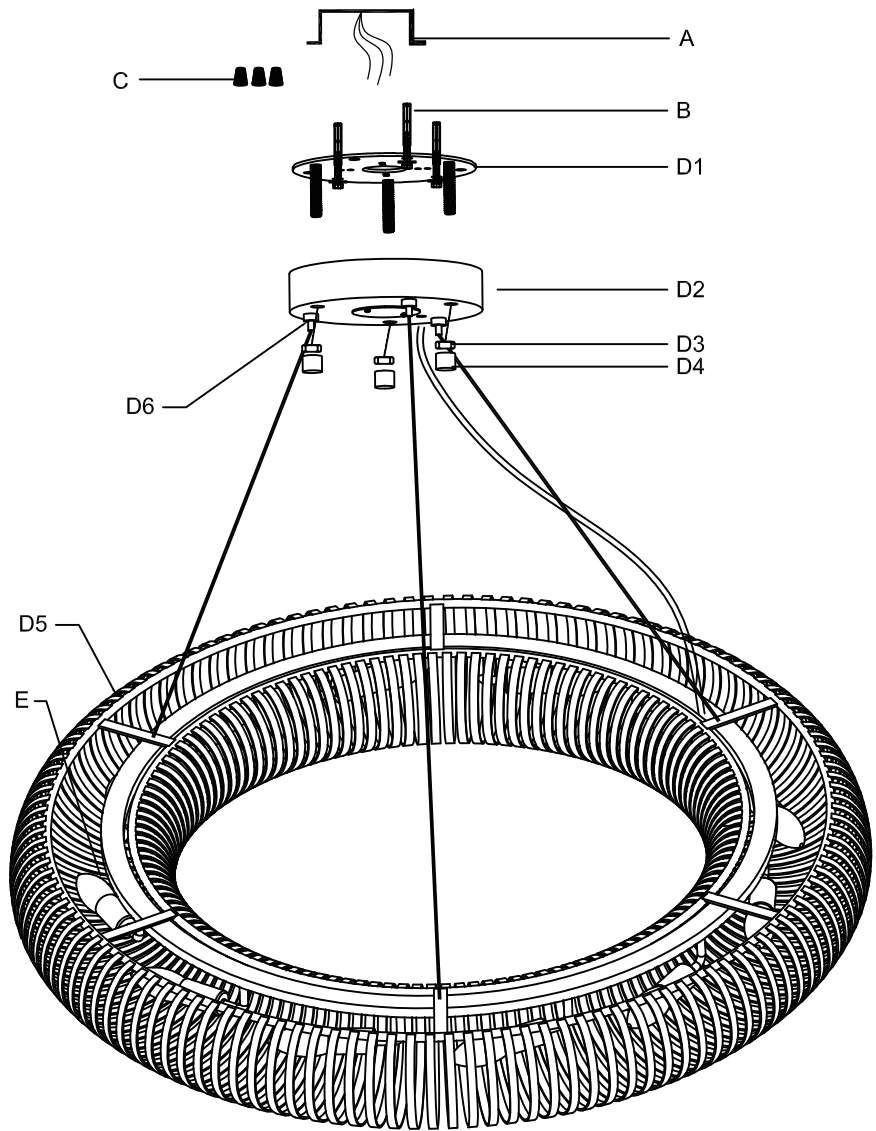


PARTS ENCLOSED

- (A) Junction Box (Not included) 22.7kg/50lbs. MIN. FIXTURE RATED
- (B) Mounting Screws (Not included 1 Set)
- (C) Wire Nut (3)
- (D1) Ceiling Plate (1)
- (D2) Canopy (1)
- (D3) Bolt (3)
- (D4) Nut (3)
- (D5) Body (1)
- (D6) Wire Locking device (3)
- (E) Bulb (9+3 Extra)



PRODUCT DESCRIPTION:


General material: Glass & Iron
 Height: 12.5cm (6.75in)
 Diameter: 80.0cm (31.50in)
 Weight: 20.2kg (44.49lbs)

IMPORTANT PLEASE READ**WE RECOMMEND INSTALLATION BY A LICENSED ELECTRICIAN.****SAFETY INSTRUCTIONS:**

1. Use an authorized and certified electrician for consultation and installation.
2. This fixture has been rated (9) x 25-watt maximum E12 replaceable bulbs.
3. To avoid the risk of fire, do not exceed the recommended wattage.
4. The ceiling must have at least the capacity of 5 times the weight of the ceiling light. For this light, at least a ceiling capacity of 101.0kg (222.47lbs) is required.
5. The manufacturer and distributor accept no liability for incorrect installation.
6. For indoor use only.
7. Keep away from children.

WARNINGS:

1. Turn off electricity supply at main circuit panel before installing. Do not connect electricity supply until your ceiling light is fully assembled and installed.
2. All wires are connected, Do not remove the ceiling light from its packaging by pulling on the power cord, as a bad connection may result.
3. To reduce the risk of fire, electrical shock, or personal injury, always turn off the ceiling light and allow it to cool prior to replacing lightbulb. Do not touch bulb when fixture is turned on or look directly at lightbulb. Keep flammable materials away from lightbulb.
4. Deviation from instructions may result in a risk of fire or electric shock.

 **WARNING:** This product can expose you to lead, which is known to the State of California to cause cancer and birth defects or other reproductive harm. For more information, go to www.P65Warnings.ca.gov.

THIS IS NOT A TOY AND THE PRODUCT HAS NO PLAY VALUE.

 **WARNING: STRANGULATION HAZARD**

Keep cord at least 3 ft away from cribs, bassinets, and toddler beds. Keep out of reach of children under 3.

 **WARNING:**

1. Do not place the lighting on the floor directly or any hard surface as it can damage the fixture.

ASSEMBLY & INSTALLATION:

1. Carefully remove all parts from the box and remove all plastic covering.
2. Turn OFF power to the junction box where the ceiling light will be installed.
3. Loosen the bolts and nuts (D3 and D4) and remove the ceiling plate (D1) from the canopy (D2).
4. Attach the ceiling plate (D1) to the ceiling with mounting screws (B).
5. Connect the ground wire from the fixture to the ground junction box wire (usually the green or bare wire) and wrap the connection with electrical tape. Connect the hot wire to the junction box wire (usually black or smooth) with a plastic wire nut (C) and wrap the connection with electrical tape. Connect the neutral wire to the neutral junction box wire (usually white or ribbed) with a plastic wire nut (C) and wrap the connection with electrical tape.
6. Move the canopy (D2) up to the ceiling plate (D1), then fasten the bolts and nuts (D3 and D4).
7. Press and loosen the height adjustable wire locking device (D6) to adjust the height of light and level it.
8. Fasten the lightingbulbs (E) to the lampholders inside the body (D5).
9. Restore power to the junction box and test ceiling light fixture.

CARE INSTRUCTIONS:

1. Make sure that the power is turned off and bulb has cooled before handling.
2. Wipe clean with a dry cloth / mild soapy solution. Do not use corrosive cleaners.
3. The cable / cord of this ceiling light cannot be replaced; if the cable is damaged, do not use the light.

ENVIRONMENT:

Special waste handing may be required. Please contact your local authorities for more information.