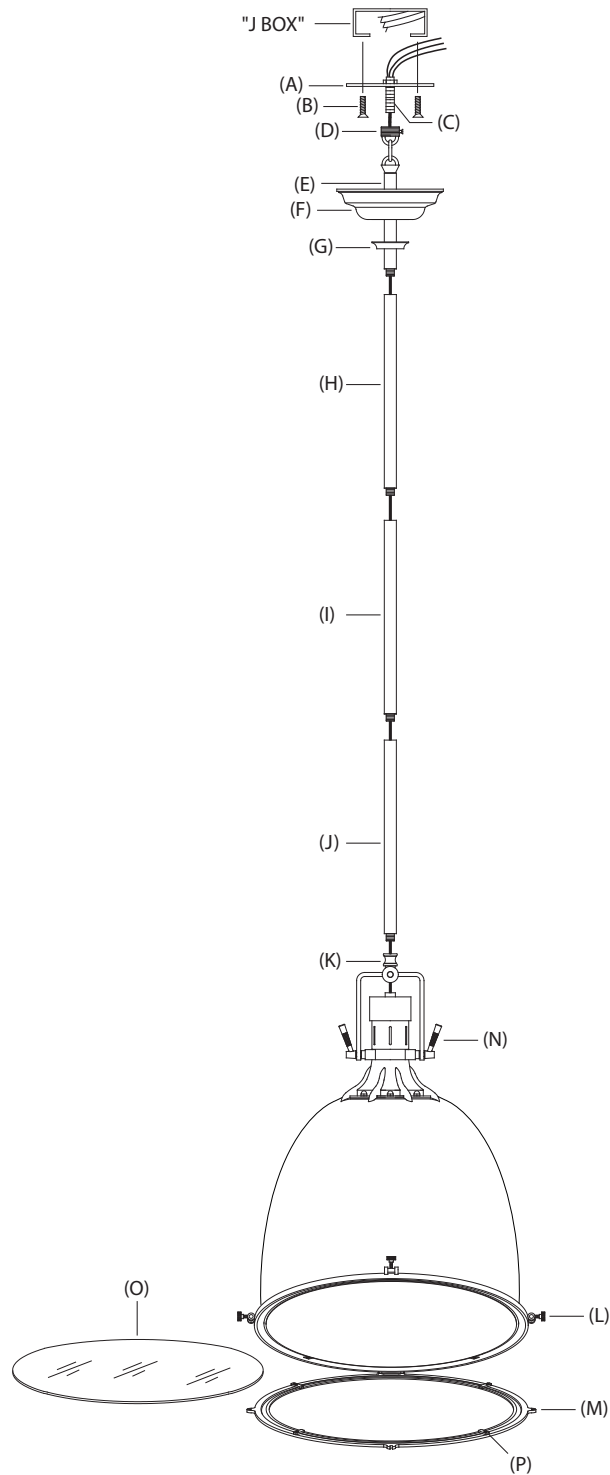


# RH

## BENSON 16" PENDANT

### PARTS ENCLOSED:

- (A) Cross Bar (1)
- (B) Cross Bar Screws (2)
- (C) Threaded Tube (1)
- (D) Hang Straight (1)
- (E) Extension (1)
- (F) Canopy (1)
- (G) Collar (1)
- (H) Extension (1)
- (I) Extension (1)
- (J) Extension (1)
- (K) Fork (1)
- (L) Support (3)
- (M) Diffuser Frame (1)
- (N) Adjustment Key (2)
- (O) Diffuser (1)
- (P) Clip (3)



**IMPORTANT PLEASE READ****WE RECOMMEND INSTALLATION BY A LICENSED ELECTRICIAN.****SAFETY INSTRUCTIONS:**

These instructions are provided for your safety. It is very important that they are read completely before beginning the installation of your fixture.


This fixture has been rated for up to two (2) 60-watt maximum Type A medium base bulb or two (2) 7.5-watt LED medium base bulb. To avoid risk of fire, do not exceed the recommended wattage.

If any special control devices are used with this fixture, follow the instructions carefully to assure full compliance with N.E.C. requirements. If there are any questions, contact a qualified electrical contractor.

**WARNINGS:**

All wires are connected. When unpacking, be careful not to pull wires as a bad connection may result. Do not connect electricity until your fixture is fully assembled. To reduce the risk of fire, electrical shock or personal injury, always turn off fixture and allow it to cool prior to replacing the lightbulb. Do not touch bulb when fixture is turned on or look directly at lit bulb. Keep flammable materials away from the lit bulb.

This lighting fixture contains lead, a chemical known to the State of California to cause cancer, birth defects and other reproductive harm. Wash hands after installing, handling, cleaning, or otherwise touching this light fixture.

 **WARNING:** This product can expose you to lead, which is known to the State of California to cause cancer and birth defects or other reproductive harm. For more information, go to [www.P65Warnings.ca.gov](http://www.P65Warnings.ca.gov).

**THIS IS NOT A TOY AND THE PRODUCT HAS NO PLAY VALUE.**

 **WARNING: STRANGULATION HAZARD**

Keep cord at least 3 ft away from cribs, bassinets, and toddler beds. Keep out of reach of children under 3.

**ASSEMBLY & INSTALLATION:**

1. SHUT OFF THE MAIN ELECTRICAL SUPPLY FROM THE MAIN FUSE BOX/CIRCUIT BREAKER.
2. Remove all parts from carton. Do not throw away any parts.
3. Remove cross bar (A) from hang straight (D). Affix cross bar (A) to "J BOX" using screws (B) provided.

4. Measure desired drop for fixture to hang and add/remove extension tubes (E, H, I, and J). Guide wiring through extension tubes before threading tubes together. **\*\*ADD/REMOVE EXTENSIONS:** (Un)Thread the threaded nipple of one extension into the threaded opening of the next extension. To prevent damage, pull wiring tight when threading extensions together.
5. Thread bottom extension tube (E, H, I, or J) into the threaded opening of fork (K).
6. Slide collar (G) and canopy (F) onto extension tube (E). Slide collar (G) and canopy (F) down extension tubes and let rest on fork (K).
7. Lift fixture to "J BOX." Guide wiring through threaded tube (C). Thread hang straight (D) onto threaded tube (C).
8. Make proper electrical connection. A LICENSED ELECTRICIAN IS RECOMMENDED.
9. Connect the grounding wire (green and yellow striped) from the fixture to the grounding wire in the outlet box. Connect the black wire of the fixture (or smooth side of the wire) to the black wire in outlet box. Connect the white wire of the fixture (or rough side of the wire) to the white wire in outlet box. Fasten wires together with a plastic wire connector and tightly wrap connector with electrical tape.
10. Slide canopy (F) up extension tubes and hold tightly against ceiling. Slide collar (G) up extension tubes and thread onto hang straight (D) to hold canopy (F) tightly against the ceiling.
11. Open diffuser frame (M) by unthreading decorative nut on support (L) until support (L) can be rotated away from diffuser frame (M). Repeat for each (L) support. Do not remove decorative nut from support (L).
12. Install two (2) 60-watt maximum Type A medium base bulbs or two (2) 7.5-watt LED medium base bulbs into socket.
13. Unthread screws on clip (P) and rotate clip (P) to the side. DO NOT remove clip (P) from diffuser frame (M).
14. Holding diffuser frame (M) as level as possible, place diffuser (O) onto recessed channel inside diffuser frame (M). Rotate clips (P) to hold diffuser (O). Tighten screw on clip (P) to secure diffuser (O).
15. Close diffuser frame (M) and secure by rotating support (L) down and threading decorative nut up support (L) until decorative nut rests against diffuser frame (M).
16. Tighten adjustment keys (N) to secure shade to fork (K).

**CARE INSTRUCTIONS:**

Wipe clean with a soft, dry cloth or static duster. Always avoid the use of harsh chemicals or abrasive cleaners as they may cause damage to the fixture's finish.