


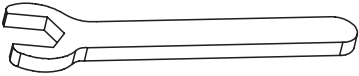
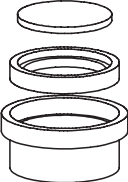
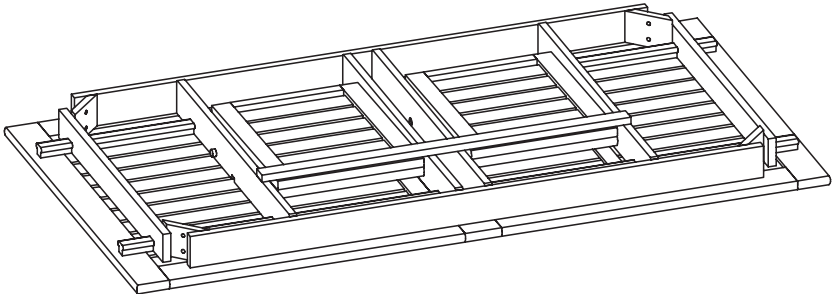
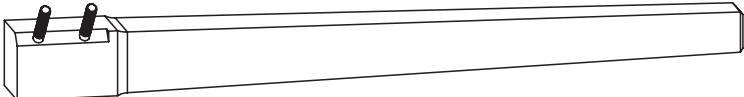


HARDWARE INCLUDED:

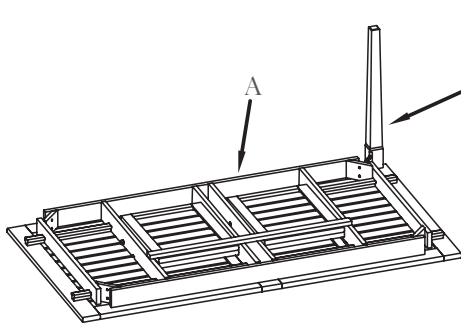
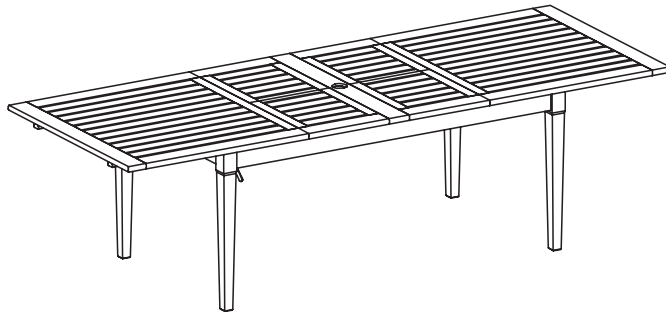
1. Hexagonal Nut		8 pcs
2. Flat Washer		8 pcs
3. Spring Washer		8 pcs
4. Wrench		4 pcs
5. Umbrella Hole Reducer		4 pcs

COMPONENT LIST

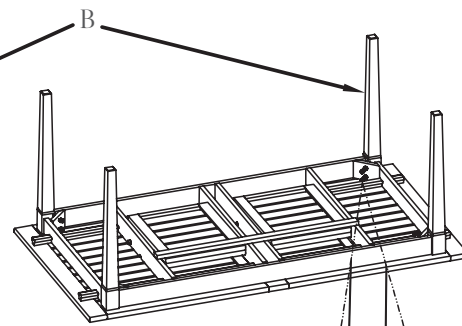
A. Tabletop Frame		1 pc
B. Legs		4 pcs

ASSEMBLY INSTRUCTION

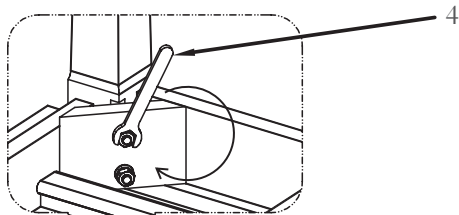
1. Lay the tabletop frame down on a clean surface and install each leg with the bolts attached into each corner bracket.
2. Install flat washer, then the spring washer, and finally the hexagonal nut.
3. Using the wrench provided, tighten the hexagonal nut clockwise. Secure tightly.
4. Turn the table upright and install the umbrella hole reducer into the hole provided.



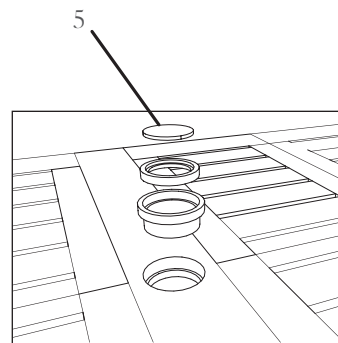
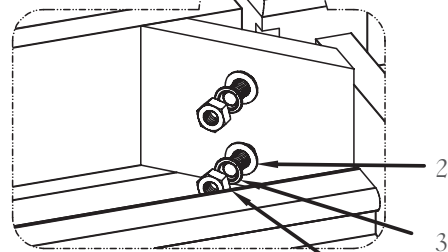
STEP 1



STEP 2



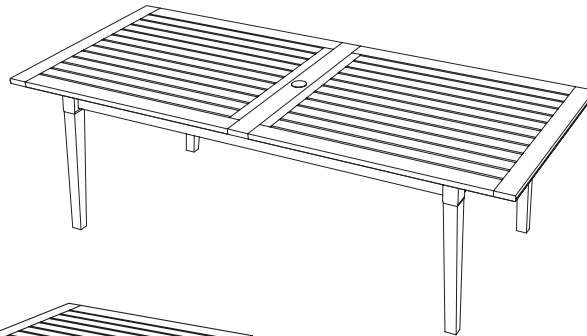
STEP 3



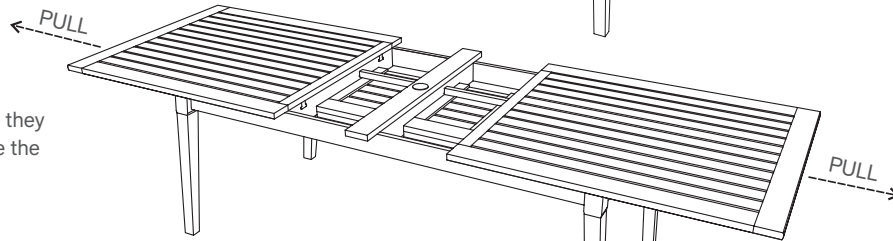
STEP 4

EXTENDING

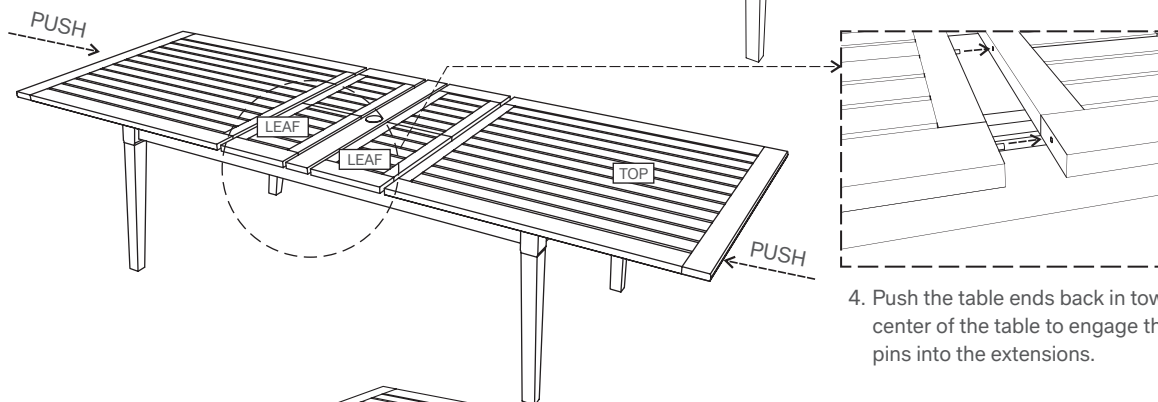
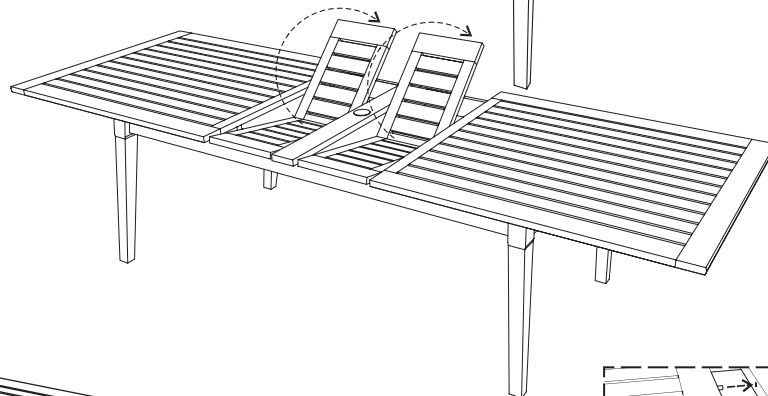
1.



2. Pull the table ends back until they touch the stoppers to expose the butterfly extensions..

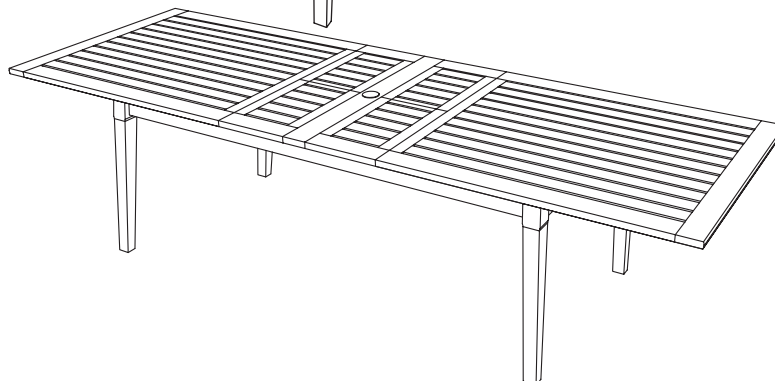


3. Unfold each extension to lay flat on the frame. (The extensions will not lock in place until the tables ends are closed.)



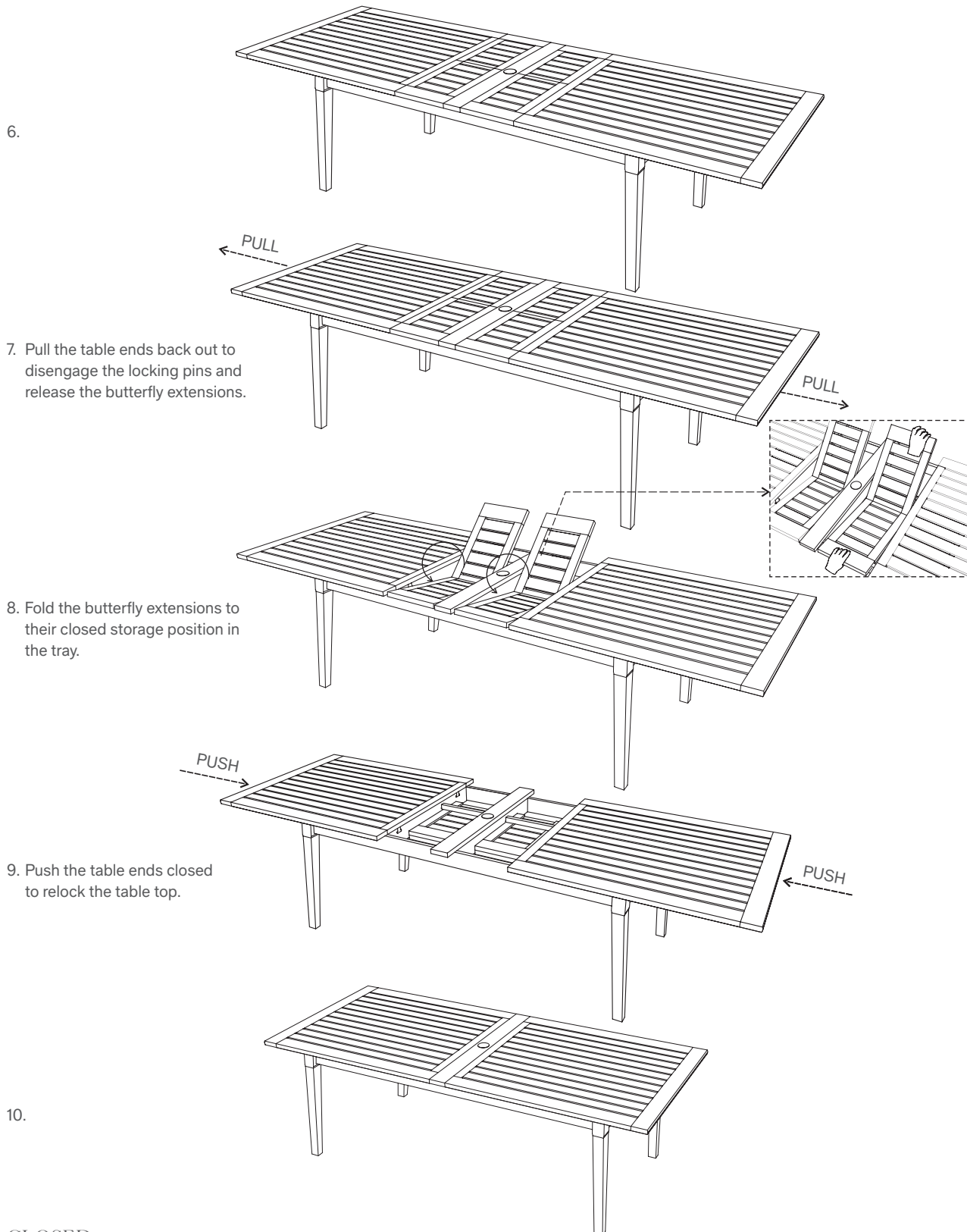
4. Push the table ends back in towards the center of the table to engage the locking pins into the extensions.

5.



EXTENDED

CLOSING



6.

7. Pull the table ends back out to disengage the locking pins and release the butterfly extensions.

8. Fold the butterfly extensions to their closed storage position in the tray.

9. Push the table ends closed to relock the table top.

10.

CLOSED