

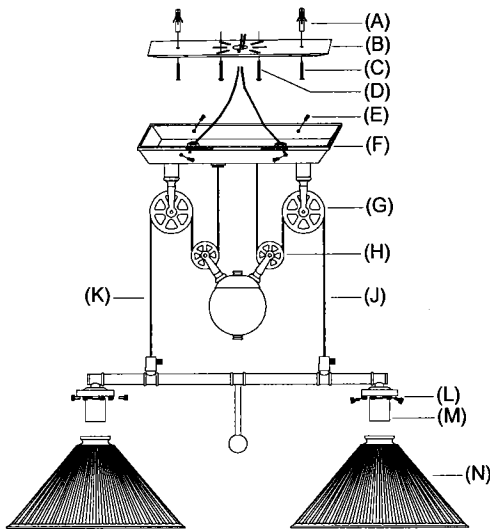
# RESTORATION HARDWARE

Thank you for purchasing Restoration Hardware Lighting. Our assortment is crafted with the highest quality details in mind and each collection is clad in one of our signature finish options. Each item's surface is sealed which eliminates the need for polishing and ensures the lasting brilliance of your piece for years to come.

## PARTS ENCLOSED

- (A) Plastic Anchors (2)
- (B) Mounting Plate (1)
- (C) Mounting Screws (2)
- (D) Outlet Box Screws (2)
- (E) Base Screws (4)
- (F) Canopy Base (1)
- (G) Larger Pulleys (2)
- (H) Smaller Pulleys with ball (2)
- (J) & (K) Cords (2)
- (L) Thumbscrews (6)
- (M) Sockets (2)
- (N) Glass Shades (2)

## INDUSTRIAL DOUBLE PULLEY PENDANT



## IMPORTANT SAFETY INSTRUCTIONS:

WE RECOMMEND INSTALLATION BY A LICENSED ELECTRICIAN.

This fixture has been rated for up to Two (2) 60-watt maximum Type A bulbs (not included). To avoid the risk of fire, do not exceed the recommended wattage.

## WARNINGS:

1. This lighting fixture contains lead, a chemical known to the State of California to cause cancer, birth defects and other reproductive harm. Wash hands after installing, handling, cleaning or otherwise touching this light fixture.
2. Do not remove the lamp from its packaging by pulling on the power cord, as a bad connection may result.
3. Do not connect electricity until your lamp is fully assembled.
4. To reduce the risk of fire, electrical shock, or personal injury, always turn off and unplug lamp and allow it to cool prior to replacing light bulb.
5. Do not touch bulb when fixture is turned on or look directly at lit bulb.
6. Keep flammable materials away from lit bulb.

## TO ASSEMBLE:

1. Carefully remove all parts from the box and remove all plastic covering.
2. Remove the back plate (B) from canopy base (F) by unscrewing base screws (E).
3. Place back plate (B) on the ceiling outlet, use it as a template, mark points for center holes of mounting holes on the ceiling. Remove the mounting plate (B).
4. Drill small holes on the marked points, make sure the holes should be big enough to accommodate the plastic anchors (A). Push the plastic anchor into the holes.
5. Gently pull the wires from ceiling outlet box and allow the wire to hang. Thread the wires through the center hole of mounting plate (B).
6. Attach back plate (B) to ceiling outlet box and secure by inserting outlet box screws (D) to the holes of outlet box and inserting mounting screws (C) into the plastic anchors (A).
7. Attach the fixture grounding wires (green wire) and house grounding wire (usually green or copper) to the mounting strap with the green grounding screw.
8. Connect the hot wires (black) to the hot outlet box wire (usually black) with a plastic wire connector and wrap the connection with electrical tape.
9. Connect the neutral wires (white) to the neutral outlet wire (usually white) with a plastic wire connector and wrap the connection with electrical tape.
10. Tuck these wire connections neatly into the ceiling outlet box.
11. Carefully attach the canopy base (F) to the ceiling outlet box and secure with base screws (E).
12. Loosen the thumbscrews (L), place the glass shades (N) over the sockets (M) and tighten the thumbscrews (L).
13. Insert the recommended bulbs (not included) into sockets.
14. Assembly is complete.

## TO ADJUST HEIGHT:

Adjust height by sliding the cords (H) & (K) on the larger pulleys (G) and smaller pulleys (H) to desired height.

## CARE INSTRUCTIONS:

Wipe all surfaces with a soft dry cloth. Clean glass with a mild soap and water mixture. Do not use any harsh cleaners (including ammonia-based products) or abrasives, as they will damage the finish.