

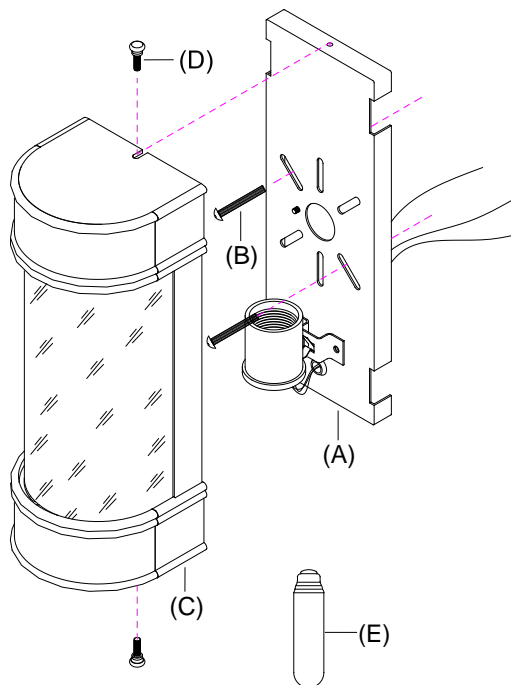
RESTORATION HARDWARE

Thank you for purchasing Restoration Hardware Lighting. Our assortment is crafted with the highest quality details in mind, and each collection is clad in one of our signature finish options. Each item's surface is sealed which eliminates the need for polishing and ensures the lasting brilliance of your piece for years to come.

PARTS ENCLOSED

- (A) Fixture Base (1)
- (B) Outlet Box Screws (2)
- (C) Shade Assembly (1)
- (D) Thumbscrews (2)
- (E) Light bulb (1)

KENT MEDIUM BATH SCONCE



IMPORTANT SAFETY INSTRUCTIONS:

WE RECOMMEND INSTALLATION BY A LICENSED ELECTRICIAN.

This fixture has been rated for up to one (1) 60-watt maximum Type T bulb. To avoid the risk of fire, do not exceed the recommended wattage.

WARNINGS:

1. This lighting fixture contains lead, a chemical known to the State of California to cause cancer, birth defects and other reproductive harm. Wash hands after installing, handling, cleaning or otherwise touching this light fixture.
2. Do not remove the lamp from its packaging by pulling on the power cord, as a bad connection may result.
3. Do not connect electricity until your lamp is fully assembled.
4. To reduce the risk of fire, electrical shock, or personal injury, always turn off lamp and allow it to cool prior to replacing light bulb.
5. Do not touch bulb when fixture is turned on or look directly at lit bulb.
6. Keep flammable materials away from lit bulb.

TO ASSEMBLE:

1. SHUT OFF THE MAIN ELECTRICAL SUPPLY FROM THE MAIN FUSE BOX/CIRCUIT BREAKER!
2. Carefully remove all parts from the box and remove all plastic covering.
3. Remove shade assembly (C) from the fixture base (A) by unscrewing thumbscrews (D) in counter-clockwise direction.
4. Attach fixture base (A) to wall outlet and secure with outlet box screws (B) to the wall outlet box.
5. Attach the fixture ground wire to the ground wire from the outlet box (usually green or bare wire) with a plastic wire connector and wrap the connection with electrical tape.
6. Connect the hot wire to the hot outlet box wire (usually black) with a plastic wire connector and wrap the connection with electrical tape. Connect the neutral wire to the neutral outlet wire (usually white) with a plastic wire connector and wrap the connection with electrical tape.
7. Insert light bulb (E) into socket.
8. Carefully replace the shade (C) to the fixture base (A) and secure with thumbscrews (D).
9. Restore power to outlet box and check operation of fixture.
10. Assembly is complete.

CARE INSTRUCTIONS:

Wipe all surfaces with a soft dry cloth. Clean glass with a mild soap and water mixture. Do not use any harsh cleaners (including ammonia-based products) or abrasives, as they will damage the finish.