

RH

AVIA SMALL SQUARE FLUSHMOUNT

PARTS ENCLOSED:

- (A) Cross bar (1)
- (B) Outlet Box Screws (2)
- (C) Decorative Nuts (2)
- (D) Mounting Screws (2)
- (E) Thumb Screw (1)
- (F) Canopy (1)
- (G) Wire Nuts (2)
- (H) Socket (1)
- (I) Shade Frame (1)
- (J) Glass Shade (1)
- (K) Shade Tab (2)
- (L) Shade Screws (4)

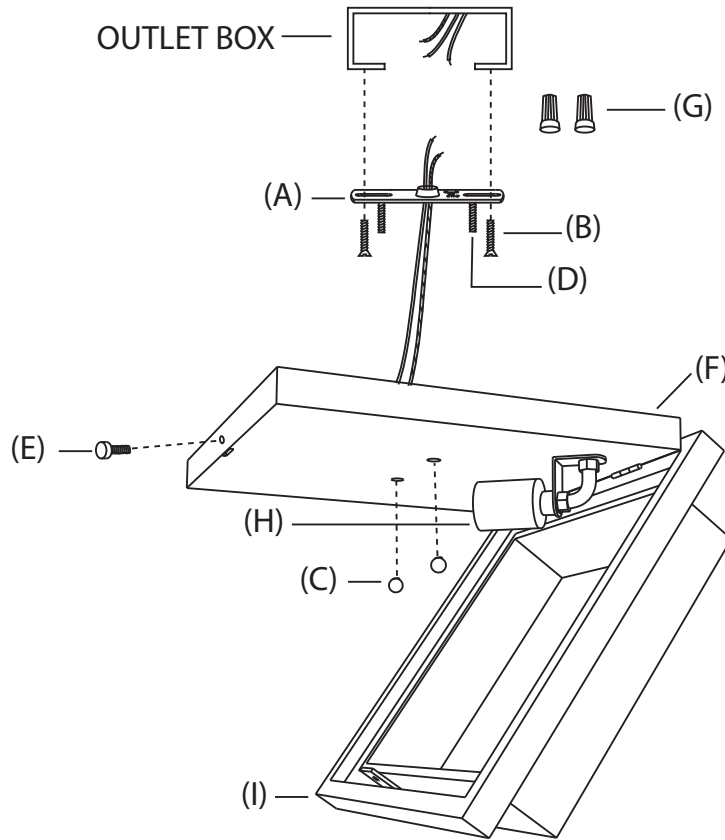
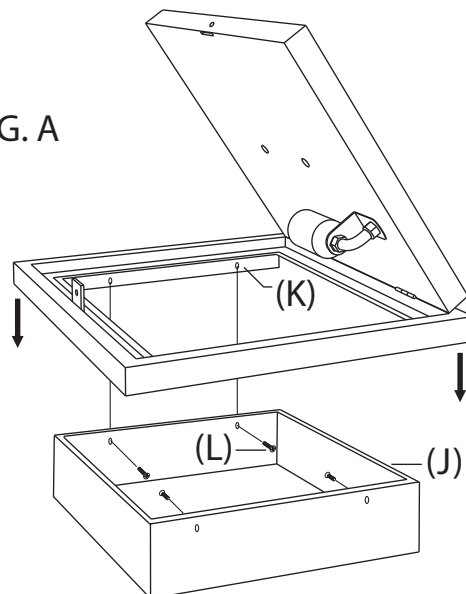


FIG. A



IMPORTANT PLEASE READ**WE RECOMMEND INSTALLATION BY A LICENSED ELECTRICIAN.****SAFETY INSTRUCTIONS:**

These instructions are provided for your safety. It is very important that they are read completely before beginning the installation of your fixture.


This fixture has been rated for up to one (1) 100-watt maximum Type A medium base bulb or one (1) 11-watt LED medium base bulb. To avoid risk of fire, do not exceed the recommended wattage.

If any special control devices are used with this fixture, follow the instructions carefully to assure full compliance with N.E.C. requirements. If there are any questions, contact a qualified electrical contractor.

WARNINGS:

All wires are connected. When unpacking, be careful not to pull wires as a bad connection may result. Do not connect electricity until your fixture is fully assembled. To reduce the risk of fire, electrical shock or personal injury, always turn off fixture and allow it to cool prior to replacing the lightbulb. Do not touch bulb when fixture is turned on or look directly at lit bulb. Keep flammable materials away from the lit bulb.

This lighting fixture contains lead, a chemical known to the State of California to cause cancer, birth defects and other reproductive harm. Wash hands after installing, handling, cleaning, or otherwise touching this light fixture.

 **WARNING:** This product can expose you to lead, which is known to the State of California to cause cancer and birth defects or other reproductive harm. For more information, go to www.P65Warnings.ca.gov.

THIS IS NOT A TOY AND THE PRODUCT HAS NO PLAY VALUE.

 **WARNING: STRANGULATION HAZARD**

Keep cord at least 3 ft away from cribs, bassinets, and toddler beds. Keep out of reach of children under 3.

ASSEMBLY & INSTALLATION:

1. SHUT OFF THE MAIN ELECTRICAL SUPPLY FROM THE MAIN FUSE BOX/ CIRCUIT BREAKER.
2. Remove all parts from carton. Do not throw away any parts.
3. Open shade frame (I) of fixture by unthreading thumb screw (E) and allowing the frame to hinge open.

4. Place glass shade (J) on a level surface. Lower metal shade frame (I) onto glass shade (J), as shown in FIG. A. Holes in glass shade (J) should align with holes in shade tab (K).
5. From the inside of glass shade (J), thread shade screw (L) into shade tab (K). Repeat step for the remaining three screws.
6. Remove decorative nuts (C) from mounting screws (D). Remove cross bar (A) from canopy (F).
7. Attach cross bar (A) to ceiling outlet box using screws (B) provided.
8. Lift canopy (F) to ceiling outlet box. Make proper electrical connections, as described in steps 9 - 11. A licensed electrician is recommended.
9. Attach ground wire from fixture (GREEN) to the ground wire in outlet box. IT IS IMPERATIVE THAT THE OUTLET BOX IN YOUR HOME BE PROPERLY GROUNDED.
10. Connect the neutral wire from fixture (WHITE or RIBBED side of wire) to the neutral wire from the outlet box. Fasten wires together with plastic wire nut (G) and tightly wrap connection with electrical tape.
11. Connect the hot wire from fixture (BLACK or SMOOTH side of wire) to the hot wire from the outlet box. Fasten wires together with plastic wire nut (G) and tightly wrap connection with electrical tape.
12. Gently push wire connections back into ceiling outlet box.
13. Place canopy (F) over cross bar (A) so the mounting screws (D) protrude through holes in canopy (F).
14. To secure fixture to ceiling outlet box, hold canopy (F) tightly against ceiling and thread nuts (C) onto exposed ends of mounting screws (D).
15. Insert one (1) 100-watt maximum Type A medium base bulbs or one (1) 11-watt LED medium base bulb into socket (H).
16. Carefully raise shade frame (I) upward, closing the fixture. Thread thumb screw (E) into vacant hole in canopy (F) and tab on shade frame (I). Thumb screw should be hand tightened to secure position of shade frame (I).

CARE INSTRUCTIONS:

Wipe clean with a soft, dry cloth or static duster. Always avoid the use of harsh chemicals or abrasive cleaners as they may cause damage to the fixture's finish.