

RESTORATION HARDWARE

Thank you for purchasing Restoration Hardware Lighting. Our assortment is crafted with the highest quality details in mind and each collection is clad in one of our signature finish options. Each item's surface is sealed which eliminates the need for polishing and ensures the lasting brilliance of your piece for years to come.

PARTS ENCLOSED:

- | | |
|--------------------------|------------------------|
| (A) MOUNTING PLATE | (H) GLASS SHADE (X3) |
| (B) BACKPLATE SCREW (X6) | (I) SHADE FRAME (X3) |
| (C) BACKPLATE | (J) SHADE SCREW (X6) |
| (D) MOUNTING SCREW (X2) | (K) SHADE HOUSING (X3) |
| (E) SUPPORT HOLE (X2) | (L) GLASS DOME (X3) |
| (F) WALL ANCHOR (X2) | (M) DOME SCREW (X6) |
| (G) SUPPORT SCREW(X2) | (N) WIRE NUT (X3) |

IMPORTANT SAFETY INSTRUCTIONS:

*These instructions are provided for your safety. It is very important that they are read completely before beginning the installation of your fixture.
*DIRECT WIRE FIXTURES: WE STRONGLY RECOMMEND INSTALLATION BY A LICENSED ELECTRICIAN.

*This fixture has been rated for up to (3) 25W MAX. GY 6.35 BI-PIN bulbs.

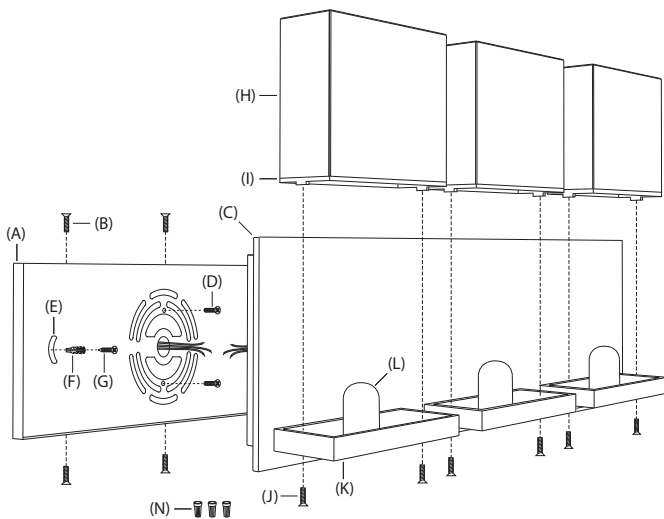
*To avoid risk of fire, do not exceed the recommended wattage.

WARNING:

*Turn off power (unplug from the wall outlet) before replacing the bulb(s), making sure the bulb(s) have sufficient time to cool down.

*Do not subject lamp to any shock while lit as shattering of bulbs can occur.

AVIA TRIPLE SCONCE



TO ASSEMBLE:

1. SHUT OFF THE MAIN ELECTRICAL SUPPLY FROM THE MAIN FUSE BOX/ CIRCUIT BREAKER.
2. Remove fixture and all parts from carton. Do not throw away any parts.
3. Remove all packing material from fixture.
4. Remove mounting plate (A) from backplate (C) by removing backplate screws (B).
5. Lift mounting plate (A) to wall outlet. Carefully mark location of support holes (E) onto wall. Set mounting plate (A) aside.
6. Carefully drill holes at marked locations. Insert wall anchors (F) into holes.
7. Guide wiring from wall outlet through center hole in mounting plate (A). Affix mounting plate (A) to wall outlet using mounting plate screws (D).
8. Thread support screws (G) into openings in wall anchors (F).
9. Lift fixture to exposed wiring from wall outlet and make proper electrical connection. A LICENSED ELECTRICIAN IS RECOMMENDED.
10. Attach ground wire from fixture (green or silver in color) to ground wire from outlet box. Fasten wires together with wire nut (N) and tightly wrap connection with electrical tape.
11. Attach hot wire from fixture (black in color or smooth side of wire) to hot wire from outlet box. Fasten wires together with wire nut (N) and tightly wrap connection with electrical tape.
12. Attach neutral wire from fixture (white in color or ribbed side of wire) to neutral wire from outlet box. Fasten wires together with wire nut (N) and tightly wrap connection with electrical tape.
13. Slide backplate (C) over mounting plate (A). Thread backplate screws (B) into holes in backplate (C) and mounting plate (A) to secure fixture to wall.
14. Remove shade screws (J) from shade frame (I).
15. Place glass shade (H) into shade housing (K). NOTE: Shade (H) should be oriented so shade frame (I) sits inside shade housing (K).
16. Thread shade screws (J) into holes in shade housing (K) and shade frame (I) to secure shade (H) to fixture.

RE-LAMPING INSTRUCTIONS

1. Remove shade screws (J) from bottom side of shade housing (K). Set shade (H) aside.
2. Remove dome screws (M) from glass dome (L). Set glass dome (L) aside.
3. Remove old bulb. Place one (1) 25W MAX. 12V BI-PIN GY6.35 base bulb into socket.
4. Place glass dome (L) inside shade housing (K). Insert glass dome screws (M). NOTE: Do not over tighten dome screws (G), as doing so can cause glass dome (L) to break.
5. Follow steps 15 - 16 from assembly instructions, above.

CARE INSTRUCTIONS:

To clean, use a soft cloth. DO NOT use any chemical or abrasive cleaners.

FIGURE A.
RE-LAMPING

