

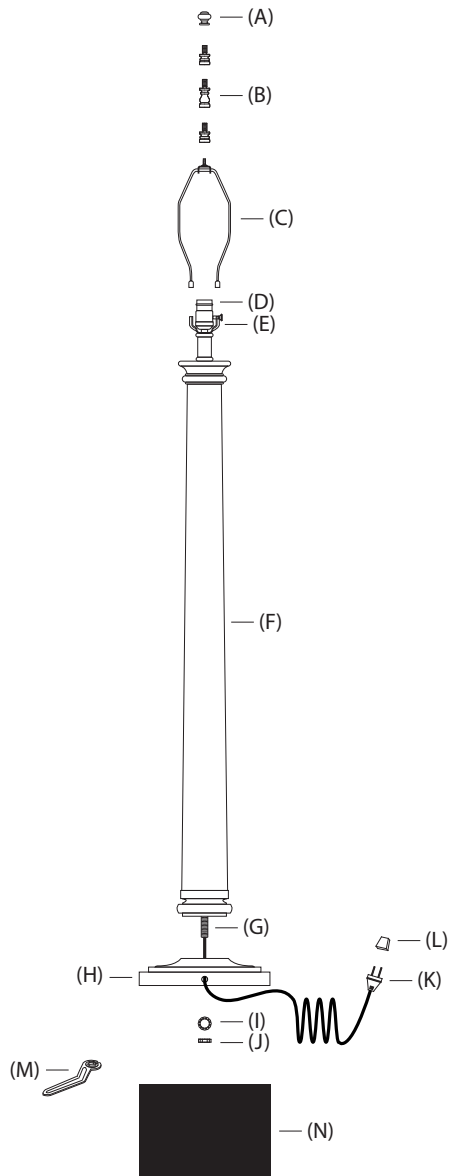
# RESTORATION HARDWARE

Thank you for purchasing Restoration Hardware Lighting. Our assortment is crafted with the highest quality details in mind and each collection is clad in one of our signature finish options. Each item's surface is sealed which eliminates the need for polishing and ensures the lasting brilliance of your piece for years to come.

## PARTS ENCLOSED:

- |                      |                    |
|----------------------|--------------------|
| (A) FINIAL           | (H) BASE           |
| (B) SHADE RISER (X3) | (I) WASHER         |
| (C) HARP             | (J) NUT            |
| (D) SOCKET           | (K) POLARIZED PLUG |
| (E) SADDLE           | (L) PROTECTIVE CAP |
| (F) COLUMN           | (M) WRENCH         |
| (G) THREADED NIPPLE  | (N) FELT COVER     |

## CHELSEA FLOOR LAMP



## IMPORTANT SAFETY INSTRUCTIONS:

For safety purposes, this lamp is equipped with a polarized plug (one blades is wider than the other). If the plug does not fit securely into outlet, do not force it - contact a professional electrician. Use the plug with an extension cord only if it can be fully inserted into the cord's socket. Never alter the plug in any way.

This fixture has been rated for up to (1) 150W MAX. Type A bulb.  
To avoid risk of fire, do not exceed the recommended wattage.

## WARNINGS:

Turn off power (unplug from the wall outlet) before replacing the bulb(s), making sure the bulb(s) had sufficient time to cool down.

DO NOT subject the lamp to any shock while lit as shattering of bulb may result.

## TO ASSEMBLE:

1. Remove all parts carefully from the carton. Do not throw away any parts.
2. Remove all packaging material from lamp.
3. Place base (H) on level surface.
4. Remove nut (J) and washer (I) from threaded nipple (G).
5. Align threaded nipple (G) with hole in top of base (H), pulling wire from below base (H). Insert threaded nipple (G) into hole in top of base (H). Threaded nipple (G) will protrude through base (H). NOTE: to prevent cord damage, pull cord taut when inserting threaded nipple (G) into base (H).
6. Hold base (H) and column (F) together and carefully tilt to side.
7. Move washer (I) onto exposed threads of threaded nipple (G).
8. Thread nut (J) onto exposed threads of threaded nipple (G) and tighten with wrench (M) provided.
9. Pull wire through base (H) until tight.
10. Remove paper backing from felt cover (N).
11. Align edges of felt cover (N) with edges of bottom of base (H) and affix felt cover (N) to bottom of base (H) by pressing firmly on felt cover (N).
12. Place harp (C) into harp saddle (E) by squeezing sides of harp (C) inward and placing into the openings of saddle (E).
13. Install one (1) 150W MAX. Type A bulb into socket (D).
14. Place center ring of the shade spider (SHADE SOLD SEPARATELY) onto the threaded nipple of harp (C). To change shade height: remove the shade and thread shade riser (B) combinations onto the threaded nipple of harp (C). Continue to add/remove shade risers (B) until desired shade height is reached.
15. Once desired shade height is reached, place center ring of shade spider (SHADE SOLD SEPARATELY) onto exposed threaded nipple. Thread finial (A) onto exposed threaded nipple to secure shade.
16. Remove protective cap (L) from polarized plug (K).
17. Insert polarized plug (K) into wall outlet.

## CARE INSTRUCTIONS:

To clean, use a soft cloth only. DO NOT use any chemical or abrasive cleaners.