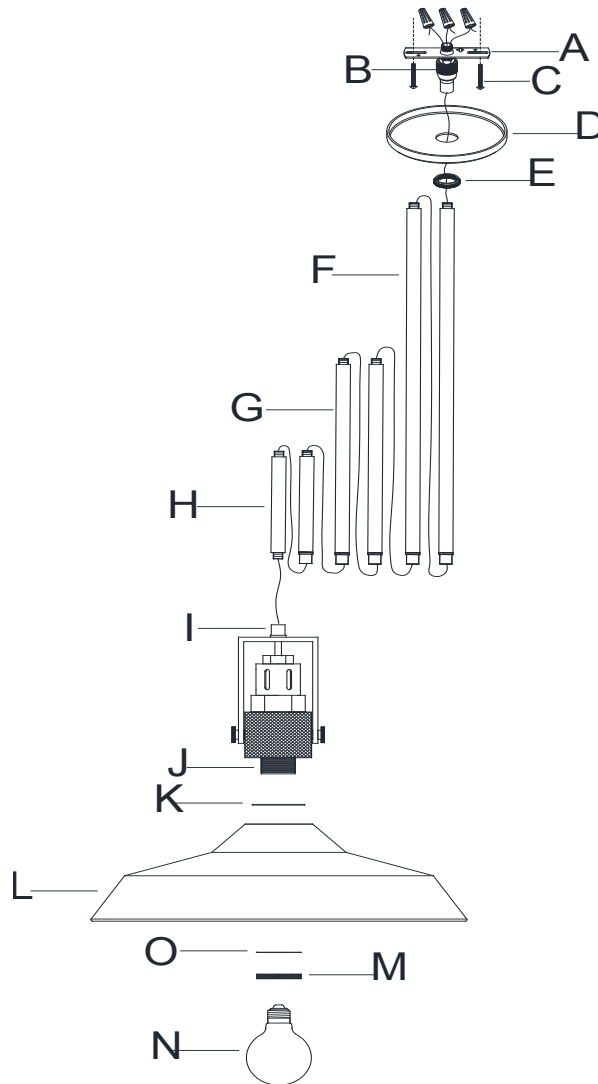


RH

CONDORCET METAL SHADE PENDANT 10"

PARTS ENCLOSED

- (A) Mounting Strap (1)
- (B) Mounting Loop (1)
- (C) Mounting Screws (2)
- (D) Canopy (1)
- (E) Canopy Ring (1)
- (F) 18" Connection Rods (2)
- (G) 12" Connection Rods (2)
- (H) 6" Connection Rods (2)
- (I) Threaded Joint (1)
- (J) Socket (1)
- (K) Plastic Washer (1)
- (L) Shade (1)
- (M) Socket Ring (1)
- (N) Bulb (1)
- (O) Fiber Washer (1)



CONDORCET METAL SHADE PENDANT 10"

IMPORTANT SAFETY INSTRUCTIONS

INSTALLATION BY A LICENSED ELECTRICIAN IS STRONGLY RECOMMENDED.

This fixture has been rated for up to one (1) 60-Watt maximum Type G16.5 lightbulb (N) (included) or one (1) 13-Watt compact fluorescent lightbulb (not included). To avoid the risk of fire, do not exceed the recommended wattage.

WARNINGS

All wires are connected. When unpacking, be careful not to pull wires, as a bad connection may result. Do not connect electricity until your fixture is fully assembled. To reduce the risk of fire, electrical shock, or personal injury, always turn off fixture and allow it to cool prior to replacing the lightbulb. Do not touch or look directly at the bulb when fixture is illuminated. Keep flammable materials away from lit bulb.



WARNING: This product can expose you to lead, which is known to the State of California to cause cancer and birth defects or other reproductive harm. For more information, go to www.P65Warnings.ca.gov.

THIS IS NOT A TOY AND THE PRODUCT HAS NO PLAY VALUE.



WARNING: STRANGULATION HAZARD

Keep cord at least 3 ft away from cribs, bassinets, and toddler beds. Keep out of reach of children under 3.

ASSEMBLY & INSTALLATION

SHUT OFF THE MAIN ELECTRICAL SUPPLY FROM THE FUSE BOX OR CIRCUIT BREAKER PANEL.

1. Carefully remove all parts from the box and remove all plastic covering.
2. Determine the hanging length of pendant. Connect Threaded Joint (I) to some or all Connection Rods (F, G, and H) according to the height needed.
3. Feed the wire through the Connection Rods (F, G, and H).

ASSEMBLY & INSTALLATION CONT.

4. Slide Canopy Ring (E) and Canopy (D) onto the Connection Rod (F).
5. Thread the inner rod of Connection Rod (F) to the bottom opening of Mounting Loop (B) by turning in a clockwise direction.
6. Attach Mounting Strap (A) to ceiling outlet box and secure with Mounting Screws (C).
7. Gently pull the wire from ceiling outlet box and allow the wire to hang. Thread the wire through the center hole of Mounting Loop (B).
8. Attach the fixture ground wire (GREEN) and house ground wire (usually green or bare wire) to wall outlet box with the green grounding screw. Connect fixtures to corresponding house wire with a wire nut. Carefully tuck the wires back into the outlet box. IT IS IMPERATIVE THAT THE OUTLET BOX IN YOUR HOME BE PROPERLY GROUNDED.
9. Connect the neutral wire (WHITE) to the neutral outlet wire (usually white) with a plastic wire connector and wrap the connection with electrical tape.
10. Connect the hot wire (BLACK) to the hot outlet box wire (usually black) with a plastic wire connector and wrap the connection with electrical tape. DO NOT REVERSE THE HOT AND NEUTRAL CONNECTIONS; OTHERWISE, SAFETY WILL BE COMPROMISED.
11. Raise Canopy (D) to the affixed Mounting Strap (A) and secure with Canopy Ring (E).
12. Remove Socket Ring (M) and Fiber Washer (O) from Socket (J). Attach Shade (L) to Socket (J); secure with Fiber Washer (O) and Socket Ring (M). NOTE: Shade (L) must be in between Plastic Washer (K) and Fiber Washer (O).
13. Insert Bulb (N) into the socket.
14. Restore power to outlet box and check operation of fixture.
15. Assembly is complete.

CARE INSTRUCTIONS

Do not use polishes or cleaners on your lamp. Just wipe clean with a soft cloth.