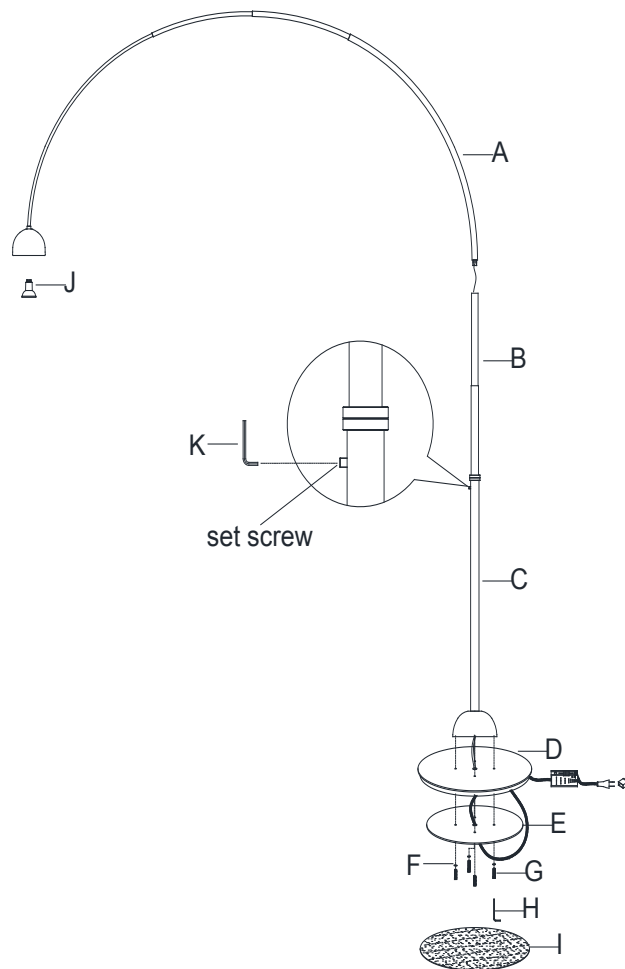


L'ARC TASK FLOOR LAMP

PARTS ENCLOSED

- (A) Curved Arm (1)
- (B) Upper Pole (1)
- (C) Lower Pole (1)
- (D) Lamp Base (1)
- (E) Base Weight (1)
- (F) Washers (4)
- (G) Bolts (4)
- (H) Allen Wrench (1)
- (I) Felt Paper (1)
- (J) Bulb (1)
- (K) Allen Wrench (1)



L'ARC TASK FLOOR LAMP

IMPORTANT SAFETY INSTRUCTIONS

INSTALLATION BY A LICENSED ELECTRICIAN IS STRONGLY RECOMMENDED.

For safety purposes, this lamp is equipped with a polarized plug (one blade is wider than the other). If the plug does not fit securely into outlet, do not force it - contact a professional electrician. Use the plug with an extension cord only if it can be fully inserted into the cord's socket. Never alter the plug in any way.

This fixture has been rated for one (1) 6-Watt maximum TYPE PAR 16 bulb (J) (included). To avoid the risk of fire, do not exceed the recommended wattage.

WARNINGS

All wires are connected. When unpacking, be careful not to pull wires, as a bad connection may result. Do not connect electricity until your fixture is fully assembled. To reduce the risk of fire, electrical shock, or personal injury, always turn off fixture and allow it to cool prior to replacing the light bulb. Do not touch or look directly at the bulb when fixture is illuminated. Keep flammable materials away from lit bulb.



WARNING: This product can expose you to lead, which is known to the State of California to cause cancer and birth defects or other reproductive harm. For more information, go to www.P65Warnings.ca.gov.

THIS IS NOT A TOY AND THE PRODUCT HAS NO PLAY VALUE.



WARNING: STRANGULATION HAZARD

Keep cord at least 3 ft away from cribs, bassinets, and toddler beds.
Keep out of reach of children under 3.

ASSEMBLY & INSTALLATION

SHUT OFF THE MAIN ELECTRICAL SUPPLY FROM THE FUSE BOX OR CIRCUIT BREAKER PANEL.

1. Carefully remove all parts from the box and remove all plastic covering.
2. Screw Upper Pole (B) to the nipple of Curved Arm (A) by turning clockwise direction until tight.
3. Join Lower Pole (C), Lamp Base (D) and Base Weight (E) together by aligning the holes and inserting Washer (F) and Bolts (G) to the holes. Tighten with Allen wrench (H).
4. Pull the wire from cord exit hole until tight.
5. Remove the back sheet of Felt Paper (I); affix the Felt Paper (I) to the underneath of Base Weight (E).
6. Insert Bulb (J) into the socket.
7. Plug into proper electrical outlet and test fixture.
8. Assembly is complete.

HEIGHT ADJUSTMENT

1. Rotate the Upper Pole (B) with Curved Arm (A) by holding the Lower Pole (C).
2. Tighten the set screw in Lower Pole (C) with Allen Wrench (K) if needed.

CARE INSTRUCTIONS

Do not use polishes or cleaners on your lamp. Just wipe clean with a soft cloth.