

RESTORATION HARDWARE

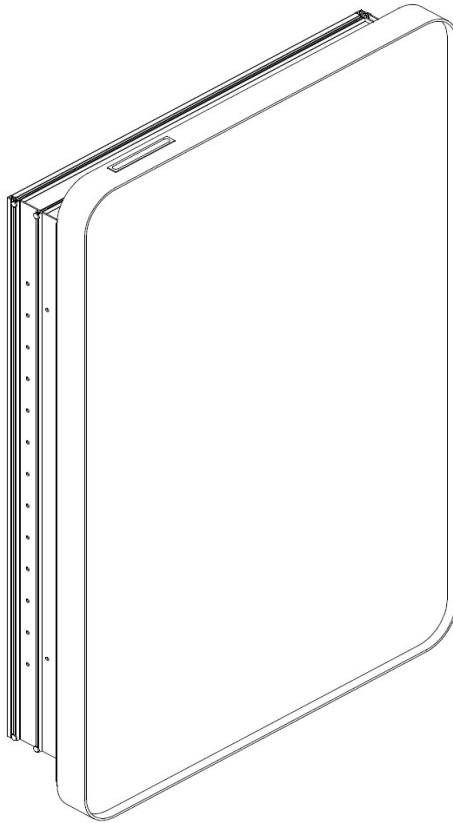
BRISTOL LARGE / SMALL INSET MEDICINE CABINET ASSEMBLY INSTRUCTIONS

TOOLS AND MATERIALS REQUIRED :

1. Screwdriver
2. Carpenter's level

PARTS LIST

A. Cabinet



B. Wood Screw x4



RESTORATION HARDWARE

BRISTOL LARGE / SMALL INSET MEDICINE CABINET ASSEMBLY INSTRUCTIONS

ASSEMBLY INSTRUCTIONS :

1. Measure a space for the cabinet body (A). Blocking is recommended to ensure adequate support. Inset (recessed) box measurements will vary according to cabinet model (See Below).

Large size dimensions

22 7/8" wide

32 3/4" high

3 3/4" deep

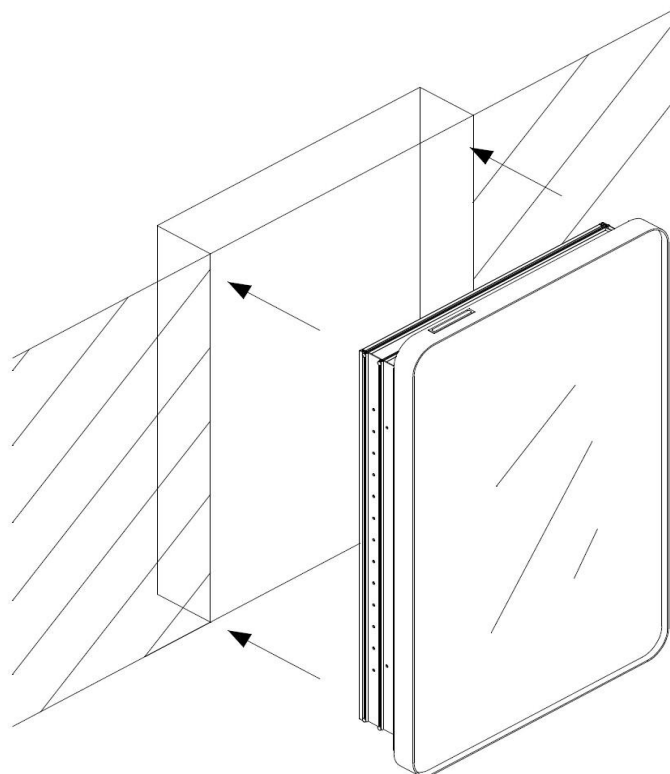
Small size dimensions

17 3/8" wide

23 7/8" high

3 3/4" deep

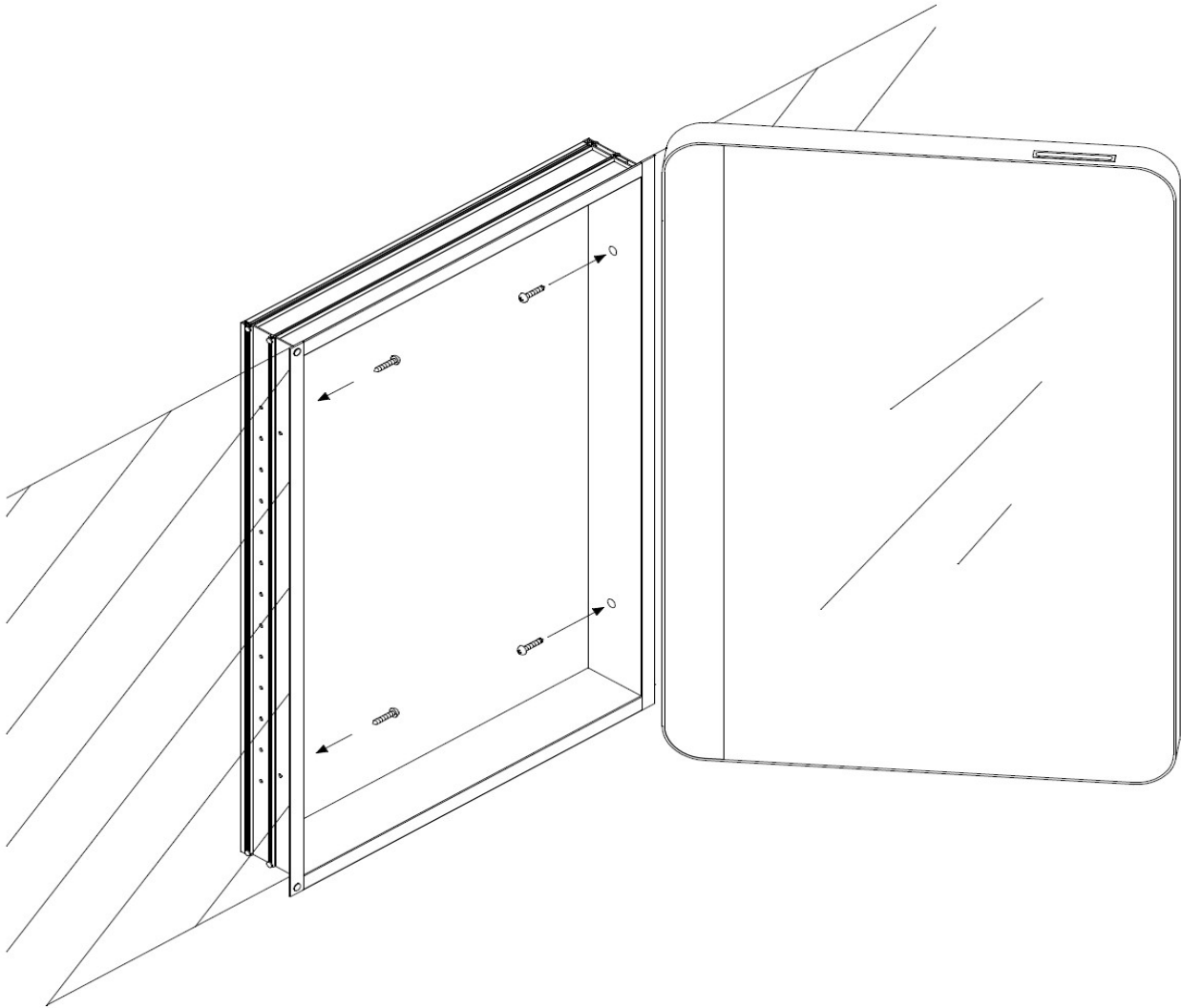
2. Install the cabinet with recessed box set back within the wall cavity.



RESTORATION HARDWARE

BRISTOL LARGE / SMALL INSET MEDICINE CABINET ASSEMBLY INSTRUCTIONS

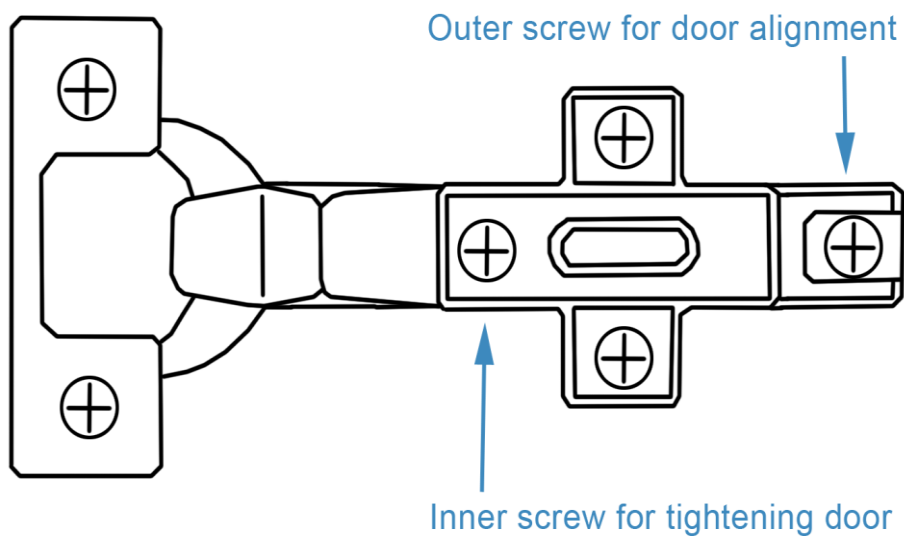
3. Mount cabinet by fastening the enclosed wood screws (B) to the inner side panels . Enclosed screws are to be used for installations into wood frames . For different wall material types, additional screws/anchors may need to be purchased.



RESTORATION HARDWARE

BRISTOL LARGE / SMALL INSET MEDICINE CABINET ASSEMBLY INSTRUCTIONS

4. After the door panel is installed, if door is not aligned with the cabinet and falling lower, open the door and adjust lower door hinge. Next loosen the outer hinge screw, slightly pull out the door panel, and tighten screw again. Close door and check alignment. Continue to adjust until alignment is correct. (See illustration below)
5. If door is not aligned with the cabinet and raised higher, open the door and adjust the top door hinge. Next loosen the outer hinge screw, slightly pull out the door panel, and tighten screw again. Close door and check alignment. Continue to adjust until alignment is correct. (See illustration below)
6. Door panel tightness can be adjusted with the inner screw on the door hinge.



CLEANING INSTRUCTIONS

To maintain and protect the luster of all products, clean with a soft, damp cloth only.