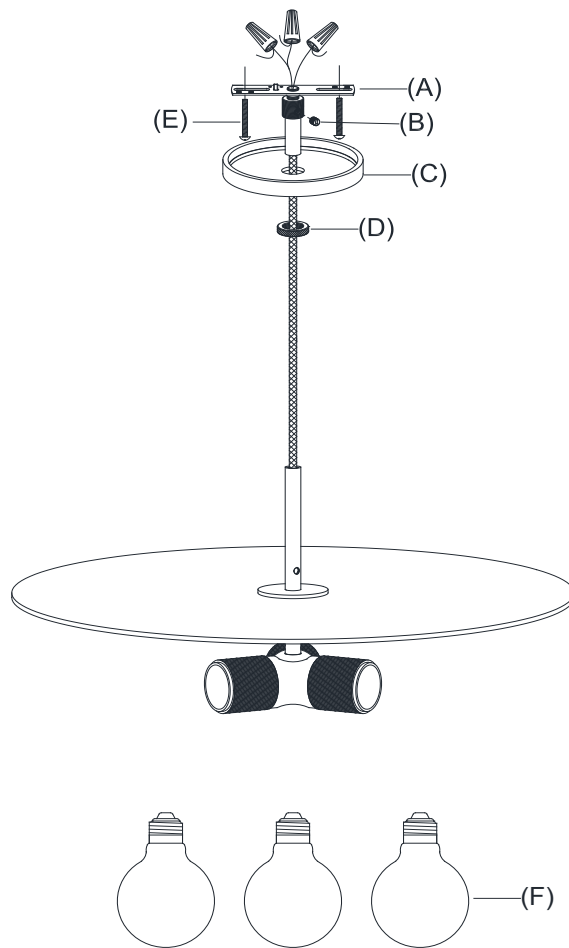


UTILITAIRE DISK TRIPLE PENDANT

PARTS ENCLOSED

- (A) Mounting Strap (1)
- (B) Set Screw (1)
- (C) Canopy (1)
- (D) Canopy Ring (1)
- (E) Mounting Screws (2)
- (F) Bulbs (3)



UTILITAIRE DISK TRIPLE PENDANT

IMPORTANT SAFETY INSTRUCTIONS

INSTALLATION BY A LICENSED ELECTRICIAN IS STRONGLY RECOMMENDED.

This fixture has been rated for three (3) 40-Watt maximum Type G 25 light bulbs (F) (included) or three (3) 9-Watt CFL light bulbs (not included). To avoid the risk of fire, do not exceed the recommended wattage.

WARNINGS

All wires are connected. When unpacking, be careful not to pull wires, as a bad connection may result. Do not connect electricity until your fixture is fully assembled. To reduce the risk of fire, electrical shock, or personal injury, always turn off fixture and allow it to cool prior to replacing the light bulb. Do not touch or look directly at the bulb when fixture is illuminated. Keep flammable materials away from lit bulb.



WARNING: This product can expose you to lead, which is known to the State of California to cause cancer and birth defects or other reproductive harm. For more information, go to www.P65Warnings.ca.gov.

THIS IS NOT A TOY AND THE PRODUCT HAS NO PLAY VALUE.



WARNING: STRANGULATION HAZARD

Keep cord at least 3 ft away from cribs, bassinets, and toddler beds. Keep out of reach of children under 3.

ASSEMBLY & INSTALLATION

SHUT OFF THE MAIN ELECTRICAL SUPPLY FROM THE FUSE BOX OR CIRCUIT BREAKER PANEL.

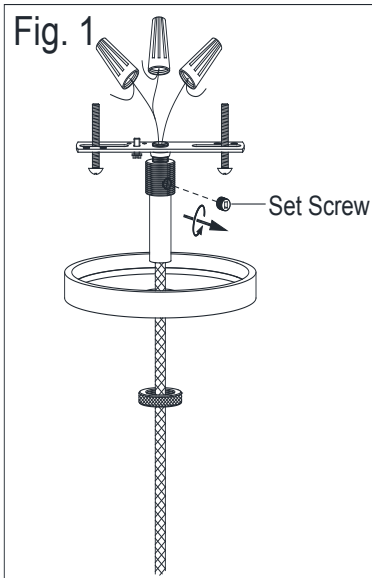
1. Carefully remove all parts from the box and remove all plastic covering.
2. Cut the length of fabric cord according to the hanging height needed. Refer to the next page for the detail.
3. Remove Mounting Strap (A) from Canopy (C) by unscrewing Canopy Ring (D) in counter-clockwise direction.
4. Attach Mounting Strap (A) to ceiling outlet box by aligning the holes and secure with Mounting Screws (E).
5. Gently pull the wire from ceiling outlet box and allow the wire to hang. Thread the wire through the center hole in Mounting Strap (A).
6. Attach the fixture ground wire (GREEN) and house ground wire (usually green or bare wire) to ceiling outlet box with the green grounding screw. Connect fixtures to corresponding house wire with a wire nut. Carefully tuck the wires back into the outlet box. **IT IS IMPERATIVE THAT THE OUTLET BOX IN YOUR HOME BE PROPERLY GROUNDED.**
7. Connect the neutral wire (WHITE) to the neutral outlet wire (usually white) with a plastic wire connector and wrap the connection with electrical tape.
8. Connect the hot wire (BLACK) to the hot outlet box wire (usually black) with a plastic wire connector and wrap the connection with electrical tape. **DO NOT REVERSE THE HOT AND NEUTRAL CONNECTIONS; OTHERWISE, SAFETY WILL BE COMPROMISED.**
9. Attach Canopy (C) to the affixed Mounting Strap (A) and secure with Canopy Ring (D).
10. Insert Bulbs (F) into the sockets.
11. Restore power to outlet box and check operation of fixture.
12. Assembly is complete.

CARE INSTRUCTIONS

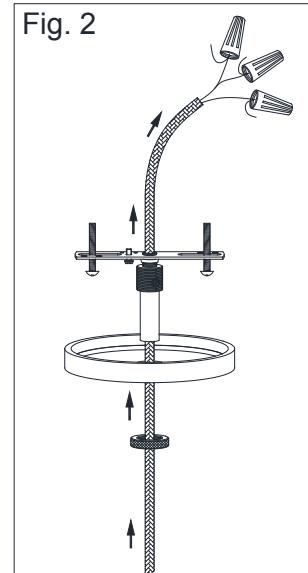
Do not use polishes or cleaners on your lamp. Just wipe clean with a soft cloth.

UTILITAIRE DISK TRIPLE PENDANT

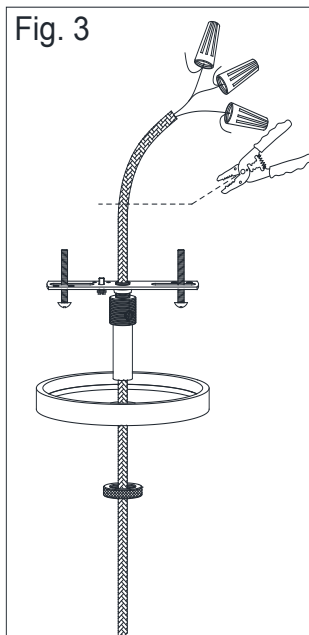
ADJUSTMENT INSTRUCTION



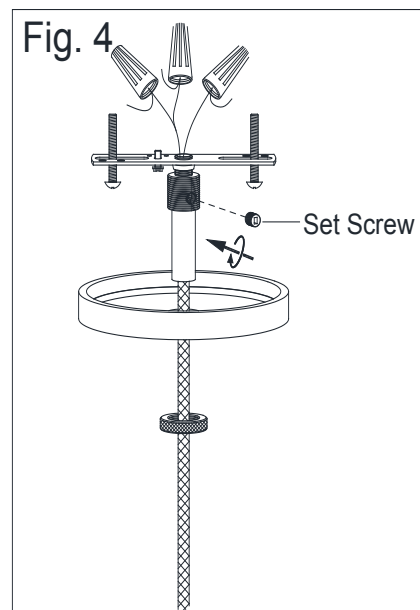
1. Remove set screw from mounting loop.



2. Pull the wires out.



3. Cut the wires to desired height.



4. Tighten the set screws.