

RESTORATION HARDWARE

Thank you for purchasing Restoration Hardware Lighting. Our assortment is crafted with the highest quality details in mind and each collection is clad in one of our signature finish options. Each item's surface is sealed which eliminates the need for polishing and ensures the lasting brilliance of your piece for years to come.

PARTS ENCLOSED:

- (A) WIRE NUT (2X)
- (B) MOUNTING PLATE
- (C) MOUNTING SCREW (X2)
- (D) CANOPY
- (E) CANOPY SCREW (X3)
- (F) LOOP
- (G) CHAIN
- (H) METAL SHADE FRAME
- (I) SOCKET
- (J) SHADE DOOR
- (K) KNOB

IMPORTANT SAFETY INSTRUCTIONS:

*These instructions are provided for your safety. It is very important that they are read completely before beginning the installation of your fixture.

*DIRECT WIRE FIXTURES: WE STRONGLY RECOMMEND INSTALLATION BY A LICENSED ELECTRICIAN.

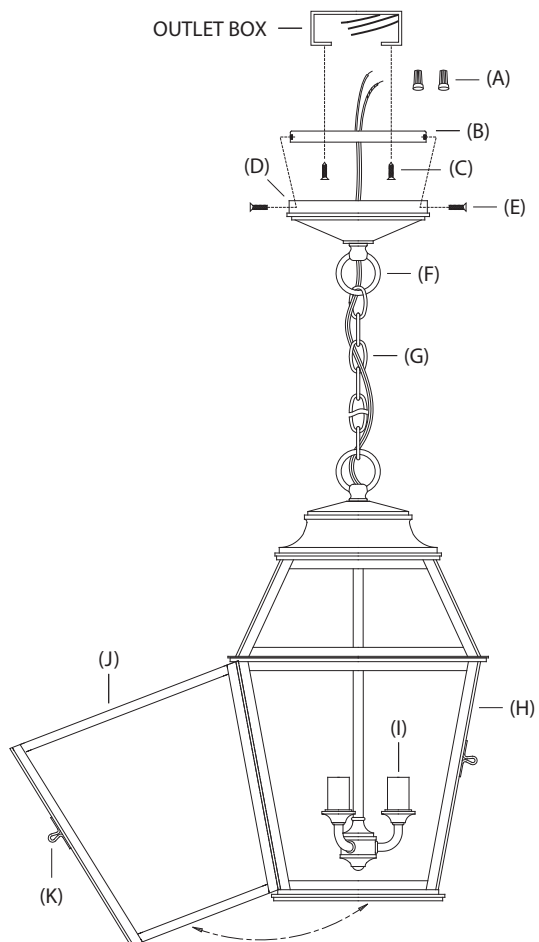
This fixture has been rated for up to (3) 40W MAX. B10, candelabra base bulbs. To avoid risk of fire, do not exceed the recommended wattage.

WARNINGS:

Turn off power (unplug from the wall outlet) before replacing the bulb(s), making sure the bulb(s) have sufficient time to cool down.

Do not subject the lamp to any shock while lit as shattering of bulbs may result.

CAMBRIDGE PENDANT



TO ASSEMBLE:

1. SHUT OFF THE MAIN ELECTRICAL SUPPLY AT FUSE BOX/ CIRCUIT BREAKER.
2. Remove all parts from carton. Do not throw away any parts.
3. Remove mounting plate (B) from canopy (D) by removing canopy screws (E).
4. Affix mounting plate (B) to outlet box using mounting plate screws (C).
5. Determine desired height of fixture. If a lower drop is necessary, use chain break tool (not included) to remove top link in chain (G) from loop (F).
6. Using chain break tool (not included), remove as many links as necessary from chain (G) to reach proper drop.
7. Once desired drop is reached, use chain break tool (not included) to attach top link in chain (G) to loop (F).
8. Lift fixture to ceiling outlet box. Make proper electrical connection. A LICENSED ELECTRICIAN IS RECOMMENDED.
9. Attach ground wire from fixture (green or copper in color) to ground wire from outlet box.
10. Attach hot wire from fixture (black in color or smooth side of wire) to hot wire from outlet box. Fasten wires together with wire nut (A) and tightly wrap connection with electrical tape.
11. Attach neutral wire from fixture (white in color or ribbed side of wire) to neutral wire from outlet box. Fasten wires together with wire nut (A) and tightly wrap connection with electrical tape.
12. Slide canopy (D) over mounting plate (B). Align holes in canopy (D) with holes in mounting plate (B).
13. Thread canopy screws (E) into holes to secure fixture to mounting plate (B).
14. To install bulbs, steady the fixture by grasping metal shade frame (H) with one hand; carefully open shade door (J) using knob (K) with other hand.
15. Insert three (3) 40W MAX. B10, candelabra base bulbs into sockets.
16. Carefully close shade door (J).

CARE INSTRUCTIONS:

To clean, use a soft cloth only. DO NOT use any chemical or abrasive cleaners.