

RESTORATION HARDWARE

Thank you for purchasing Restoration Hardware Lighting. Our assortment is crafted with the highest quality details in mind and each collection is clad in one of our signature finish options. Each item's surface is sealed which eliminates the need for polishing and ensures the lasting brilliance of your piece for years to come.

PARTS ENCLOSED:

- (A) MOUNTING PLATE
- (B) BACKPLATE SCREW (X2)
- (C) MOUNTING SCREW (X2)
- (D) BACKPLATE
- (E) DECORATIVE NUTS (X2)
- (F) METAL SHADE FRAME
- (G) SOCKET
- (H) SHADE DOOR
- (I) KNOB
- (J) WIRE NUT (2X)

IMPORTANT SAFETY INSTRUCTIONS:

*These instructions are provided for your safety. It is very important that they are read completely before beginning the installation of your fixture.

*DIRECT WIRE FIXTURES: WE STRONGLY RECOMMEND INSTALLATION BY A LICENSED ELECTRICIAN.

This fixture has been rated for up to (1) 60W MAX. B10, candelabra base bulbs. To avoid risk of fire, do not exceed the recommended wattage.

WARNINGS:

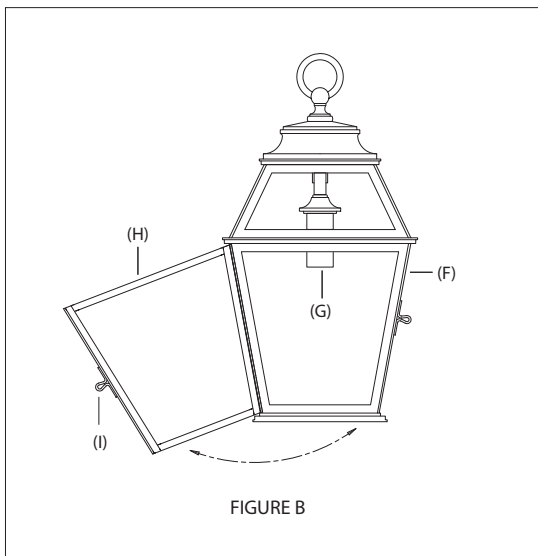
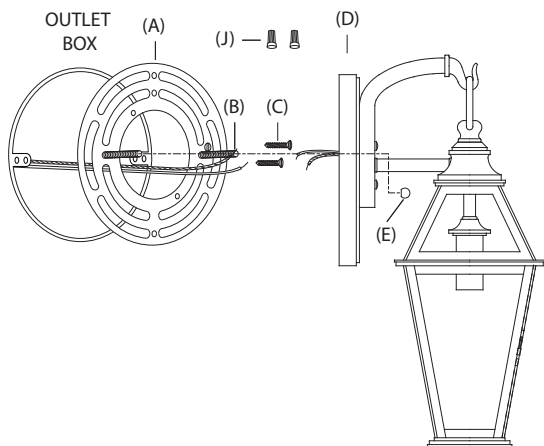
Turn off power (unplug from the wall outlet) before replacing the bulb(s), making sure the bulb(s) have sufficient time to cool down.

Do not subject the lamp to any shock while lit as shattering of bulb may result.

TO ASSEMBLE:

1. SHUT OFF THE MAIN ELECTRICAL SUPPLY AT FUSE BOX/ CIRCUIT BREAKER.
2. Remove all parts from carton. Do not throw away any parts.
3. Remove mounting plate (A) from backplate (D) by removing decorative nuts (E) from backplate screws (B).
4. Affix mounting plate (A) to outlet box using mounting screws (C).
5. Lift fixture to outlet box. Make proper electrical connection. A LICENSED ELECTRICIAN IS RECOMMENDED.
6. Attach ground wire from fixture (green or copper in color) to ground wire from outlet box.
7. Attach hot wire from fixture (black in color or smooth side of wire) to hot wire from outlet box. Fasten wires together with wire nut (J) and tightly wrap connection with electrical tape.
8. Attach neutral wire from fixture (white in color or ribbed side of wire) to neutral wire from outlet box. Fasten wires together with wire nut (J) and tightly wrap connection with electrical tape. Carefully push excess wire into outlet box.
9. Slide backplate (D) over mounting plate (A). Backplate screws (B) will pass through holes in backplate (D).
10. To secure fixture to mounting plate (A), attach decorative nuts (E) to exposed threads of backplate screws (B).
11. To install bulbs, steady the fixture by grasping metal shade frame (F) with one hand; carefully open shade door (H) using knob (I) with other hand.
12. Insert one (1) 60W MAX. B10, candelabra base bulb into sockets.
13. Carefully close shade door (H).

CAMBRIDGE SMALL PENDANT SCONCE



CARE INSTRUCTIONS:

To clean, use a soft cloth only. DO NOT use any chemical or abrasive cleaners.