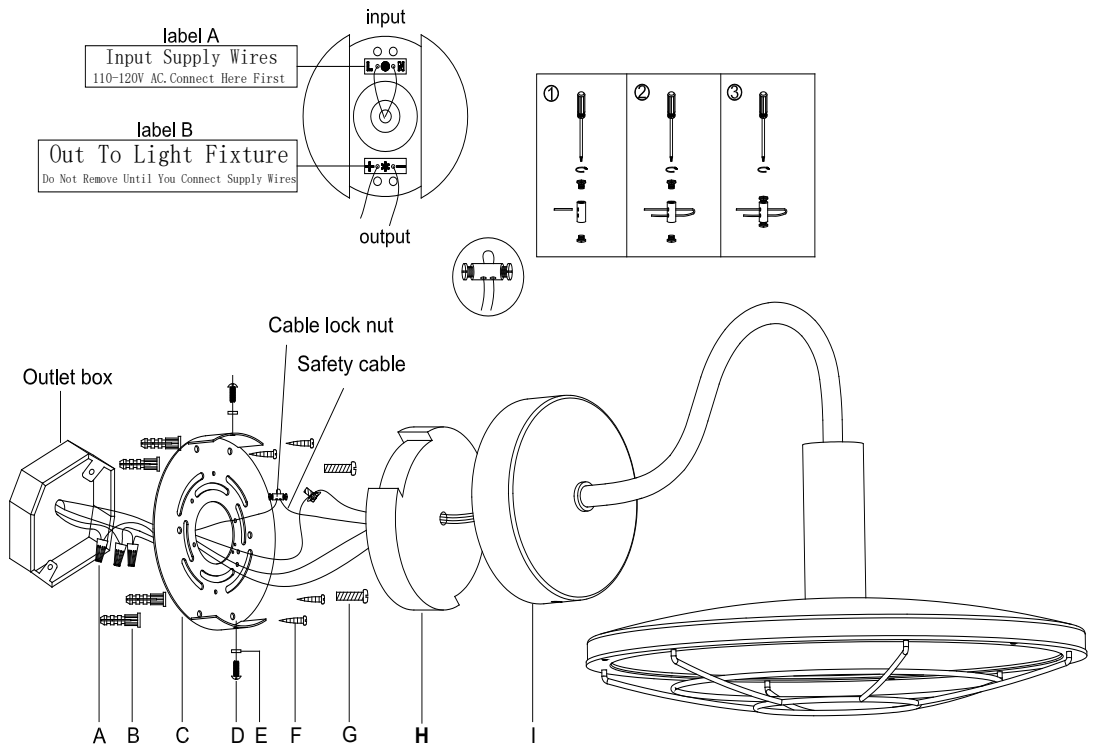


PARTS ENCLOSED

- (A) Wire Nuts (3)
- (B) Metal Anchors (4)
- (C) Mounting Plate (1)
- (D) Side Screws (2)
- (E) Rubber Washers (2)
- (F) Screws (4)
- (G) Mounting Screws (2)
- (H) Driver (1)
- (I) Fixture (1)



IMPORTANT SAFETY INSTRUCTIONS

INSTALLATION BY A LICENSED ELECTRICIAN IS STRONGLY RECOMMENDED.

WARNINGS

All wires are connected. When unpacking, be careful not to pull wires, as a bad connection may result. Do not connect electricity until your fixture is fully assembled. To reduce the risk of fire, electrical shock, or personal injury, always turn off fixture and allow it to cool prior to replacing the lightbulb. Do not touch or look directly at the bulb when fixture is illuminated. Keep flammable materials away from lit bulb.



WARNING: This product can expose you to lead, which is known to the State of California to cause cancer and birth defects or other reproductive harm. For more information, go to www.P65Warnings.ca.gov.

THIS PRODUCT IS NOT A TOY AND HAS NO PLAY VALUE.



WARNING: STRANGULATION HAZARD

Keep cord at least 3 feet away from cribs, bassinets, and toddler beds. Keep out of reach of children under 3 years of age.

ASSEMBLY & INSTALLATION

SHUT OFF THE MAIN ELECTRICAL SUPPLY FROM THE FUSE BOX OR CIRCUIT BREAKER PANEL.

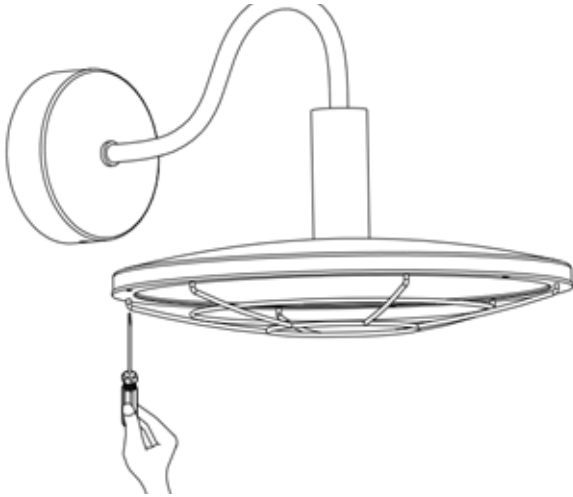
1. Carefully remove all parts from the box and remove all plastic coverings.
2. Remove Mounting Plate (C) from Fixture (I) by loosening Side Screws (D).
3. Drill 4 holes on the wall and make sure the hole distance will match the holes on Mounting Plate (C).
4. Knock Metal Anchors (B) into the wall holes.
5. Affix Mounting Plate (C) onto the wall outlet box and secure with Mounting Screws (G). Secure Screws (F) to Metal Anchors (B).
6. Join the fixture safety cable with safety cable from the wall.
7. Wrap both safety cables around the cable lock nut.
8. Insert screws into both holes on cable lock nut and secure screws with screwdriver.
9. Push the cable lock nut into the wall box.
10. Remove Label A from Driver (H). Insert the jump hot wire (smooth edge, marking) into the hole marked 'L' on Driver (H), then insert the jump neutral wire (ribbed, no marking) into the hole marked 'N' on Driver (H). Pass the jump wire through Driver (H).
11. Connect the jump neutral wire (ribbed, no markings) with the neutral wire from the ceiling outlet box using a Wire Nut (A).
12. Connect the jump hot wire (smooth edge, markings) with the hot wire from the ceiling outlet box using a Wire Nut (A). DO NOT REVERSE THE HOT AND NEUTRAL CONNECTIONS OR SAFETY WILL BE COMPROMISED.
13. Connect the ground wire (bare copper) from the fixture to the ground wire from the outlet box (usually green or copper in color). IT IS IMPERATIVE THAT THIS FIXTURE BE GROUNDED.
14. Attach Fixture (I) to Mounting Plate (C), then secure with Rubber Washer (E) and Side Screws (D).
15. Installation is complete. Turn on power at fuse or circuit breaker.

CARE INSTRUCTIONS

Do not use polishes or cleaners on your fixture. Just wipe clean with a soft, dry cloth.

LED REPLACEMENT

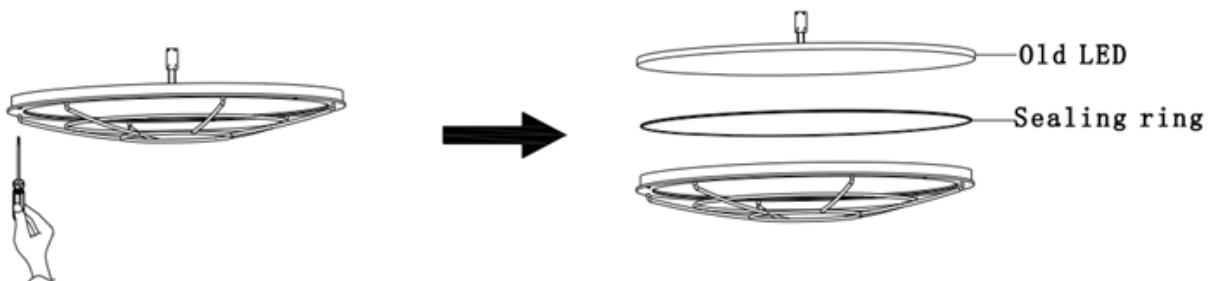
1. Unscrew the three long-slotted screws. The short-slotted screws should stay in place for this step.



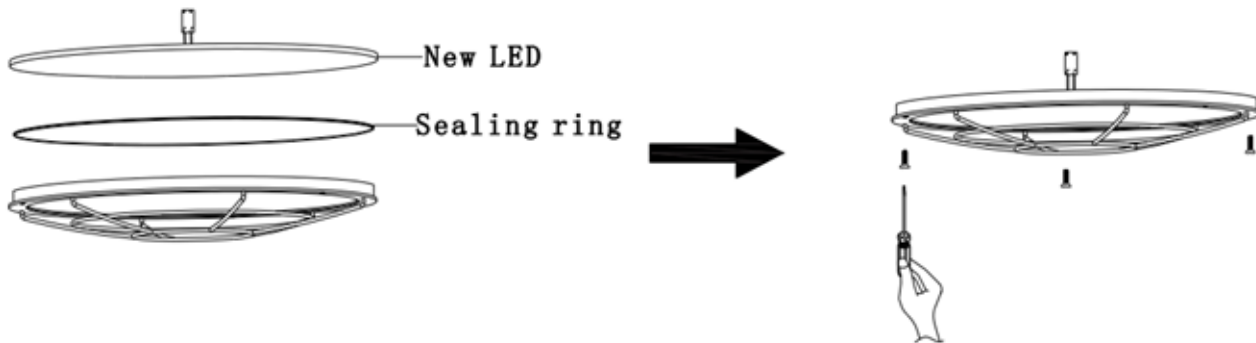
2. Separate Cap (B) from Cover (A) using a screwdriver, then disconnect the plug from between.



3. Unscrew the short-slotted screws, then carefully take out the LED panel from Cover (A).



4. Replace the new LED panel into Cover (A), then secure by screwing in the short-slotted screws. Be sure the sealing ring stays between the LED panel and Cover (A).



5. Reconnect the plug to link the LED panel and the driver, then replace Cover (A) to Cap (B).



6. Secure Cover (A) to Cap (B) by screwing in the long-slotted screws.

