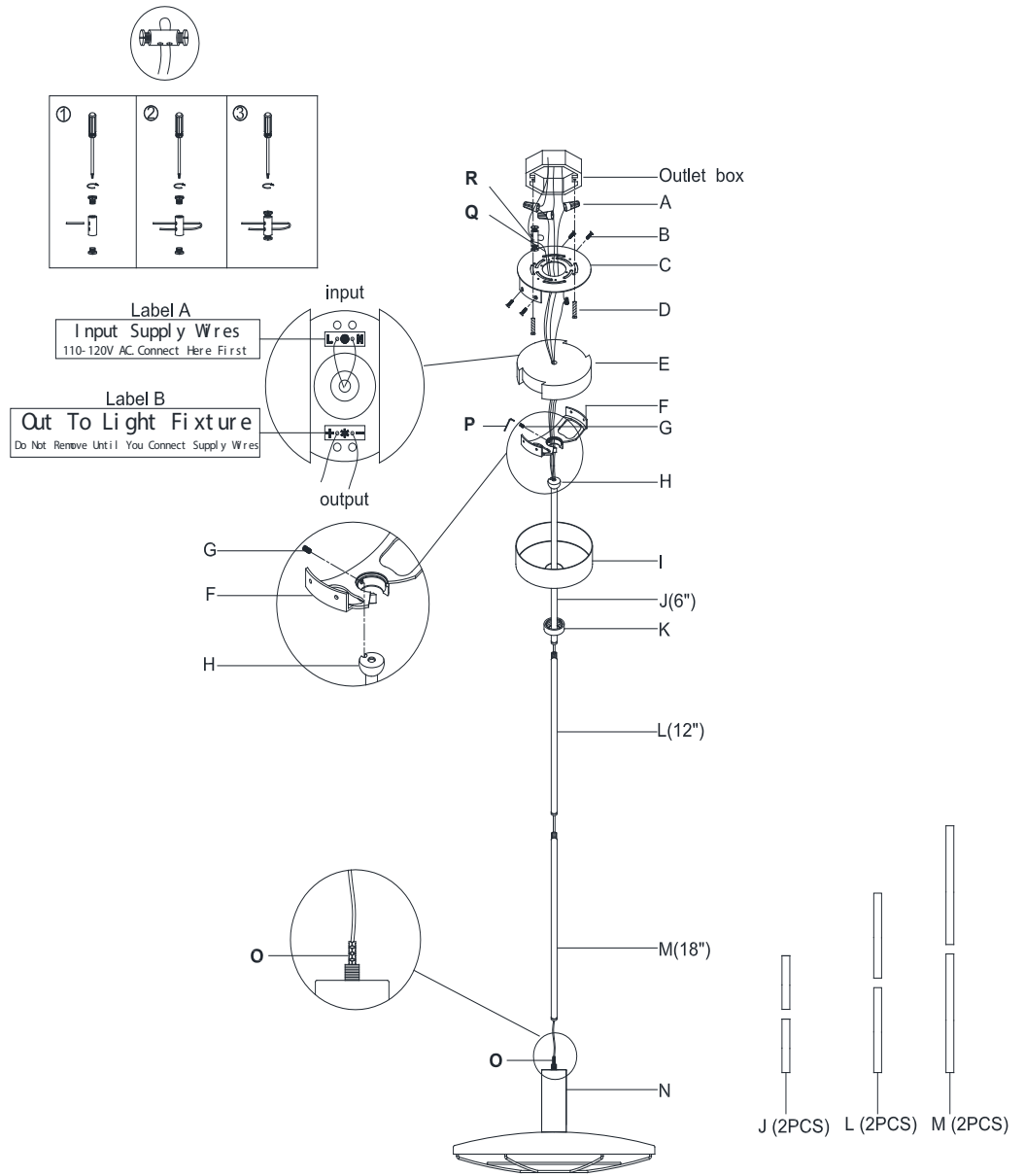


## GRAHAM PENDANT 13"

### PARTS ENCLOSED

- (A) Wire Nuts (3)
- (B) Side Screws (4)
- (C) Mounting Plate (1)
- (D) Mounting Screws (2)
- (E) Driver (1)
- (F) Bracket (1)
- (G) Screw (1)
- (H) Connector (1)
- (I) Canopy (1)
- (J) 6" Connector Tubes (2)
- (K) Lock Collar (1)
- (L) 12" Connector Tubes (2)
- (M) 18" Connector Tubes (2)
- (N) Fixture Body (1)
- (O) Plastic Sleeve (1)
- (P) Wrench (1)
- (Q) Safety Cable (1)
- (R) Cable Lock Nut (1)



## GRAHAM PENDANT 13"

**IMPORTANT SAFETY INSTRUCTIONS**

INSTALLATION BY A LICENSED ELECTRICIAN IS STRONGLY RECOMMENDED.

**WARNINGS**

All wires are connected. When unpacking, be careful not to pull wires, as a bad connection may result. Do not connect electricity until your fixture is fully assembled. To reduce the risk of fire, electrical shock, or personal injury, always turn off fixture and allow it to cool prior to replacing the lightbulb. Do not touch or look directly at the bulb when fixture is illuminated. Keep flammable materials away from lit bulb.



**WARNING:** This product can expose you to lead, which is known to the State of California to cause cancer and birth defects or other reproductive harm. For more information, go to [www.P65Warnings.ca.gov](http://www.P65Warnings.ca.gov).

**THIS PRODUCT IS NOT A TOY AND HAS NO PLAY VALUE.**



**WARNING: STRANGULATION HAZARD**

Keep cord at least 3 feet away from cribs, bassinets, and toddler beds. Keep out of reach of children under 3 years of age.

**ASSEMBLY & INSTALLATION**

SHUT OFF THE MAIN ELECTRICAL SUPPLY FROM THE FUSE BOX OR CIRCUIT BREAKER PANEL.

- Carefully remove all parts from the box and remove Plastic Sleeve (O) on top of Fixture Body (N) before assembling.
- Remove Canopy (I) from Bracket (F) by loosening Lock Collar (K).
- Remove Mounting Plate (C) from Bracket (F) by loosening Side Screws (B).
- Affix Mounting Plate (C) onto the ceiling outlet box and secure with Mounting Screws (D).
- Connect the ground wire from the outlet box to the green grounding screw on Mounting Plate (C). IT IS IMPERATIVE

**ASSEMBLY & INSTALLATION CONT.**

THAT THIS FIXTURE BE GROUNDED.

- Let the fixture wire pass through Connector Tubes (J) (L) (M) as needed, then pass through Lock Collar (K) and Canopy (I).
- Thread Connector Tubes (J) (L) (M) to Fixture Body (N) in the order of shortest to longest in length.
- Attach Bracket (F) to Connector (H), then secure Screw (G) to the gap on Connector (H) by using Wrench (P).
- Join Safety Cable (Q) with the safety cable from the ceiling.
- Wrap both safety cables around Cable Lock Nut (R).
- Insert screws into both holes on Cable Lock Nut (R) and secure with screwdriver.
- Place Cable Lock Nut (R) into the ceiling outlet box.
- Remove Label A from Driver (E). Insert the jump hot wire (smooth edge, marking) into the hole marked "L" on Driver (E), then insert the jump neutral wire (ribbed, no marking) into the hole marked "N" on Driver (E). Pass the jump wire through Driver (E).
- Connect the jump neutral wire (ribbed, no markings) with the neutral wire from the ceiling outlet box using a Wire Nut (A).
- Connect the jump hot wire (smooth edge, markings) with the hot wire from the ceiling outlet box using a Wire Nut (A). DO NOT REVERSE THE HOT AND NEUTRAL CONNECTIONS OR SAFETY WILL BE COMPROMISED.
- Tuck these wire connections neatly into the ceiling outlet box to secure in place.
- With assistance, raise the assembled Fixture Body (N) with Bracket (F) to Mounting Plate (C) and secure with Side Screws (B).
- Remove Label B from Driver (E). Insert the fixture hot wire (red) into the hole marked "+" on Driver (E), then insert the fixture neutral wire (black) into hole marked "-" on Driver (E). IT IS IMPORTANT TO NOT MIX THESE WIRES.
- Attach Canopy (I) to Bracket (F) and secure with Lock Collar (K).
- Installation is complete.

**CARE INSTRUCTIONS**

Do not use polishes or cleaners on the fixture. Wipe clean with a soft, dry cloth.