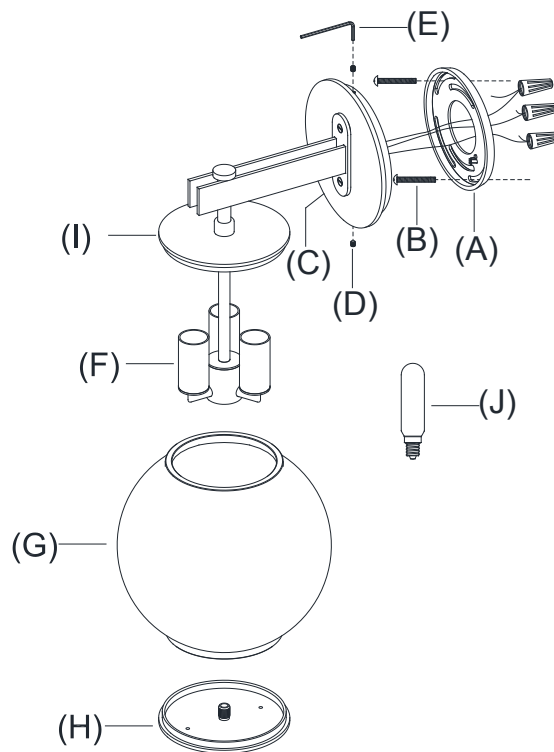


RH

MANON SCONCE

PARTS ENCLOSED

- (A) Mounting Plate (1)
- (B) Mounting Screws (2)
- (C) Fixture Base (1)
- (D) Set Screws (2)
- (E) Allen Wrench (1)
- (F) Socket Assembly (1)
- (G) Glass Shade (1)
- (H) Shade Cover (1)
- (I) Shade Cap (1)
- (J) Light Bulbs (3)



IMPORTANT SAFETY INSTRUCTIONS

INSTALLATION BY A LICENSED ELECTRICIAN IS STRONGLY RECOMMENDED.

This fixture has been rated for three (3) 25-Watt maximum TYPE T bulb (J) (included) OR three (3) 9-Watt compact fluorescent bulb (not included). To avoid the risk of fire, do not exceed the recommended wattage.

WARNINGS

All wires are connected. When unpacking, be careful not to pull wires, as a bad connection may result. Do not connect electricity until your fixture is fully assembled. To reduce the risk of fire, electrical shock, or personal injury, always turn off fixture and allow it to cool prior to replacing the light bulb. Do not touch or look directly at the bulb when fixture is illuminated. Keep flammable materials away from lit bulb.



WARNING: This product can expose you to lead, which is known to the State of California to cause cancer and birth defects or other reproductive harm. For more information, go to www.P65Warnings.ca.gov.

THIS IS NOT A TOY AND THE PRODUCT HAS NO PLAY VALUE.



WARNING: STRANGULATION HAZARD

Keep cord at least 3 ft away from cribs, bassinets, and toddler beds. Keep out of reach of children under 3.

ASSEMBLY & INSTALLATION

SHUT OFF THE MAIN ELECTRICAL SUPPLY FROM THE FUSE BOX OR CIRCUIT BREAKER PANEL.

1. Carefully remove all parts from the box and remove all plastic covering.
2. Remove Mounting Plate (A) from Fixture Base (C) by removing Set Screws (D) using Allen Wrench (E).
3. Affix Mounting Plate (A) to wall outlet box with Mounting Screws (B) provided.

ASSEMBLY & INSTALLATION CONT.

4. Gently pull the wiring from the wall outlet box and allow the wires to hang. Thread the wires through the center hole in the Mounting Plate (A).
5. Carefully inspect the chandelier's two fixture wires. One has very fine ridges molded into the plastic covering – this is the NEUTRAL WIRE. The second wire's covering is smooth – this is the HOT WIRE. The bare wire is the GROUND WIRE.
6. Connect the GROUND WIRE from the fixture with the ground wire (usually bare) from your ceiling box using a wire nut. If your house does not have ground wire, then attach the GROUND WIRE from the fixture to the green grounding screw inside of the outlet box. **IT IS IMPERATIVE THAT THE OUTLET BOX IN YOUR HOME BE PROPERLY GROUNDED.**
7. Connect the NEUTRAL WIRE from your fixture with the Neutral wire (usually white) from your ceiling box using a wire nut.
8. Connect the HOT WIRE from your fixture with the hot wire (usually black) from your outlet box using a wire nut. **DO NOT REVERSE THE HOT AND NEUTRAL CONNECTIONS; OTHERWISE, SAFETY WILL BE COMPROMISED.**
9. Attach Fixture Base (C) to the affixed Mounting Plate (A) and secure with Set Screws (D). Tighten with Allen Wrench (E).
10. Insert Bulbs (J) into sockets.
11. Remove Shade Cover (H) from bottom of Socket Assembly (F), attach Glass Shade (G) to Shade Cap (I); let the Socket Assembly (F) pass through the Glass Shade (G) and secure by replacing Shade Cover (H) to bottom of Socket Assembly (F).
12. Restore power to outlet box and check operation of fixture. Assembly is complete.

CARE INSTRUCTIONS

Do not use polishes or cleaners on your lamp. Just wipe clean with a soft cloth.