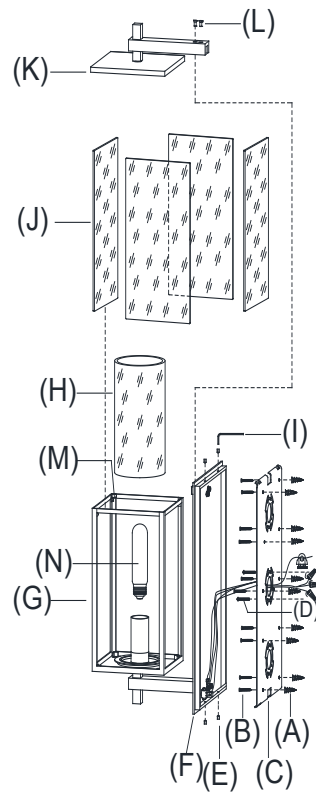


## DEVAUX SCONCE SMALL

### PARTS ENCLOSED

- (A) Metal Anchor (10)
- (B) Wood Screws (10)
- (C) Mounting Plate (1)
- (D) Mounting Screws (2)
- (E) Base Screws (4)
- (F) Fixture Base (1)
- (G) Cage (1)
- (H) Glass Shade (1)
- (I) Allen Wrench (1)
- (J) Glass Panels (4)
- (K) Cap (1)
- (L) Set Screws (2)
- (M) Metal Tabs (8)
- (N) Bulb (1)



## DEVAUX SCONCE SMALL

**IMPORTANT SAFETY INSTRUCTIONS**

INSTALLATION BY A LICENSED ELECTRICIAN IS STRONGLY RECOMMENDED.

This fixture has been rated for up to one (1) 40-Watt maximum Type T bulb (N) (included) or one (1) 9-Watt compact fluorescent light bulb (not included). To avoid the risk of fire, do not exceed the recommended wattage.

**OUTDOOR INSTALLATION**

Fixture must be mounted 4 feet from ground. Use silicone caulk to seal fixture where the mounting plate meets the surface to prevent water from seeping in.

**WARNINGS**

All wires are connected. When unpacking, be careful not to pull wires, as a bad connection may result. Do not connect electricity until your fixture is fully assembled. To reduce the risk of fire, electrical shock, or personal injury, always turn off fixture and allow it to cool prior to replacing the light bulb. Do not touch or look directly at the bulb when fixture is illuminated. Keep flammable materials away from lit bulb.



**WARNING:** This product can expose you to lead, which is known to the State of California to cause cancer and birth defects or other reproductive harm. For more information, go to [www.P65Warnings.ca.gov](http://www.P65Warnings.ca.gov).

**THIS IS NOT A TOY AND THE PRODUCT HAS NO PLAY VALUE.**



**WARNING: STRANGULATION HAZARD**

Keep cord at least 3 ft away from cribs, bassinets, and toddler beds. Keep out of reach of children under 3.

**ASSEMBLY & INSTALLATION**

SHUT OFF THE MAIN ELECTRICAL SUPPLY FROM THE FUSE BOX OR CIRCUIT BREAKER PANEL.

- Carefully remove all parts from the box and remove all plastic covering.
- Remove Mounting Plate (C) from Fixture Base (F) by removing Base Screws (E) using Allen Wrench (I).
- To determine the mounting height of the sconce, select one set of three universal mounting slots to install.

**ASSEMBLY & INSTALLATION CONT.**

- Place Mounting Plate (C) with the selected mounting slots to the wall outlet. Mark center points locations for twenty mounting holes with a pencil. Remove Mounting Plate (C).
- Drill small holes on each point location on the wall; each hole should be big enough for accommodate Metal Anchors (A). Push Metal Anchors (A) into the holes on the wall.
- Affix Mounting Plate (C) to wall outlet box by aligning the holes and secure by inserting Wood Screws (B) into Metal Anchors (A) and Mounting Screws (D) to the wall outlet box.
- Remove Cap (K) from top of Cage (G) by removing Set Screws (L) using Allen Wrench (I).
- Insert Glass Panels (J) into Cage (G) and secure by bending back the Metal Tabs (M) downwards.
- Insert Bulb (N) into socket.
- Screw Glass Shade (H) onto shade holder in center of Cage (G).
- Replace Cap (K) to top of Cage (G) and secure with Set Screws (L). Tighten with Allen Wrench (I).
- Gently pull the wiring from the wall outlet box and allow the wires to hang. Thread the wires through the center hole in the Mounting Plate (C).
- Connect the safety steel wire from the fixture and the safety cable from the wall. Refer to the detailed illustration.
- Attach the fixture ground wire and house ground wire (usually green insulation or bare wire) to wall outlet box with the green grounding screw. Connect fixtures to corresponding house wire with a wire nut. Carefully tuck the wires back into the outlet box. IT IS IMPERATIVE THAT THE OUTLET BOX IN YOUR HOME BE PROPERLY GROUNDED.
- Connect the neutral wire (WHITE) to the neutral outlet wire (usually white insulation) with a plastic wire connector and wrap the connection with electrical tape.
- Connect the hot wire (BLACK) to the hot outlet box wire (usually black insulation) with a plastic wire connector and wrap the connection with electrical tape. DO NOT REVERSE THE HOT AND NEUTRAL CONNECTIONS; OTHERWISE, SAFETY WILL BE COMPROMISED.
- Attach Fixture Base (F) to the affixed Mounting Plate (C) and secure with Base Screws (E). Tighten with Allen Wrench (I).
- Restore power to outlet box and check operation of fixture.
- Assembly is complete.

**CARE INSTRUCTIONS**

Do not use polishes or cleaners on your lamp. Just wipe clean with a soft cloth.

## DEVAUX SCONCE SMALL

## SAFETY CABLE ASSEMBLY

1. Remove Hex Nut from Cable Lock Nut and pull Cable Lock Nut from Safety Cable.
2. Join fixture safety cable with safety cable from ceiling and wrap both safety cables around the cable lock nut.
3. Secure by tightening both hex nuts until tight.

