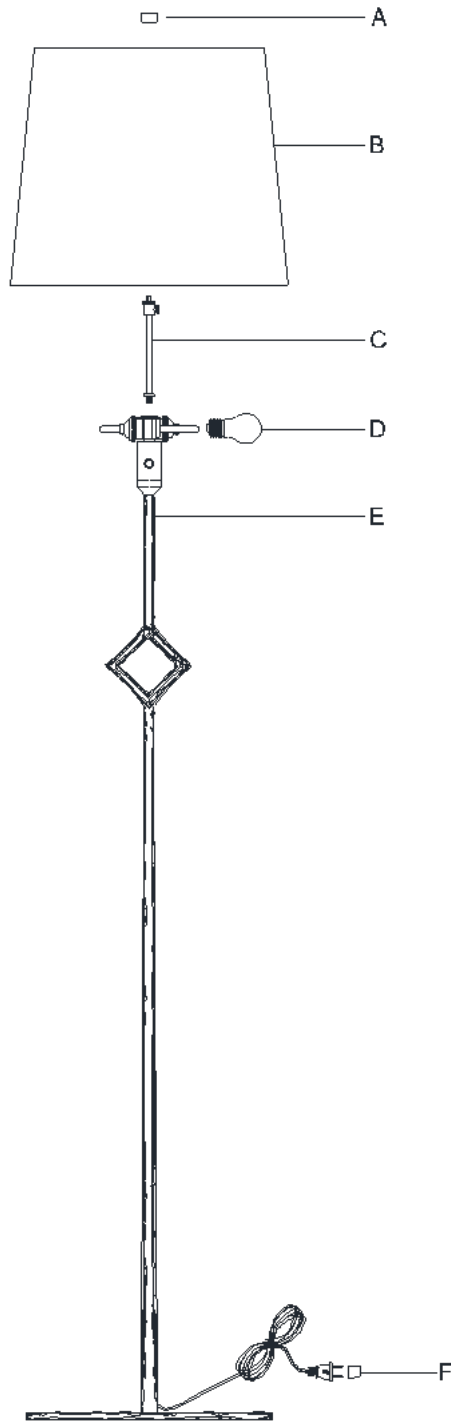


RH

ALBANS FLOOR LAMP

PARTS ENCLOSED

- (A) Finial
- (B) Shade (sold separately)
- (C) Raiser
- (D) Bulb
- (E) Lamp Body
- (F) Plug Cover



ALBANS FLOOR LAMP

IMPORTANT SAFETY INSTRUCTIONS

INSTALLATION BY A LICENSED ELECTRICIAN IS STRONGLY RECOMMENDED.

This fixture has been rated for up to two (2) 60-Watt maximum Type A standard incandescent light bulb (not included), two (2) 13-Watt compact fluorescent light bulb (not included), or two (2) 9-Watt LED light bulb (not included). 4.5-Watt LED light bulb is included.

To avoid the risk of fire, do not exceed the recommended wattage.

WARNINGS

All wires are connected. When unpacking, be careful not to pull wires, as a bad connection may result. Do not connect electricity until your fixture is fully assembled. To reduce the risk of fire, electrical shock, or personal injury, always turn off fixture and allow it to cool prior to replacing the light bulb. Do not touch or look directly at the bulb when fixture is illuminated. Keep flammable materials away from lit bulb.



WARNING: This product can expose you to lead, which is known to the State of California to cause cancer and birth defects or other reproductive harm. For more information, go to www.P65Warnings.ca.gov.

THIS IS NOT A TOY AND THE PRODUCT HAS NO PLAY VALUE.



WARNING: STRANGULATION HAZARD

Keep cord at least 3 ft away from cribs, bassinets, and toddler beds. Keep out of reach of children under 3.

ASSEMBLY & INSTALLATION

SHUT OFF THE MAIN ELECTRICAL SUPPLY FROM THE FUSE BOX OR CIRCUIT BREAKER PANEL.

1. Carefully remove all parts from the box and remove all plastic covering.
2. Place the Lamp Body (E) on the floor.
3. Thread the Riser (C) onto the Lamp Body (E) as shown.
4. Insert the Bulbs (D) into each sockets.
5. Place Shade (B) (not included) over Riser (C).
6. Attach Finial (A) to Riser (C) and turn clockwise to secure.
7. Remove red protective Plug Cover (F) from cord with plug.
8. Plug into proper electrical outlet and test fixture.
9. Assembly is complete.

CARE INSTRUCTIONS

Do not use polishes or cleaners on your lamp. Just wipe clean with a soft cloth.