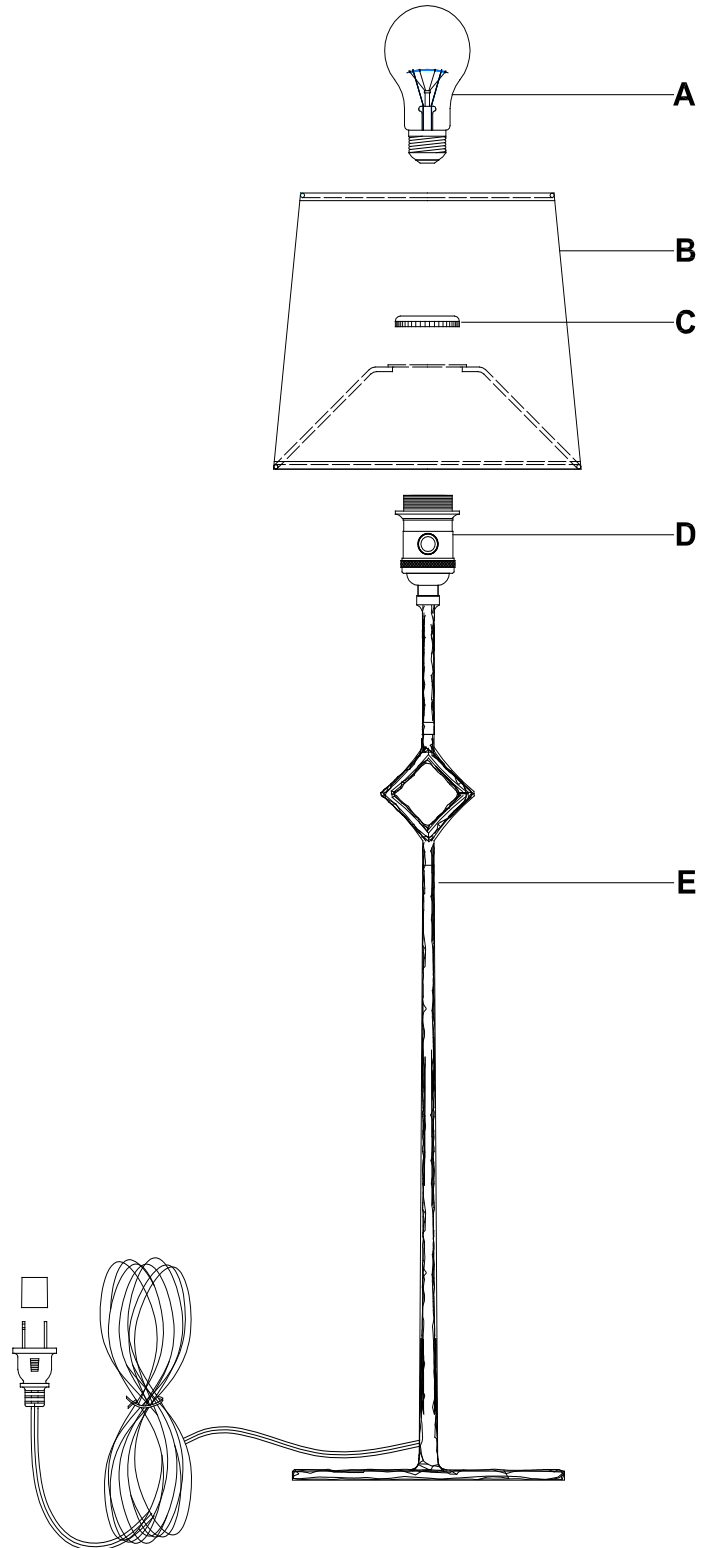


# RH

## ALBANS TABLE LAMP

### PARTS ENCLOSED

- (A) Bulb (1)
- (B) Shade (1)
- (C) Socket Ring (1)
- (D) Socket (1)
- (E) Lamp Body (1)



## IMPORTANT SAFETY INSTRUCTIONS

INSTALLATION BY A LICENSED ELECTRICIAN IS STRONGLY RECOMMENDED.

This fixture has been rated for up to one (1) 100-Watt maximum Type A standard incandescent lightbulb (not included), one (1) 23-Watt compact fluorescent lightbulb (not included), one (1) 12-Watt LED lightbulb (not included) or 8.8-Watt LED lightbulb (included). To avoid the risk of fire, do not exceed the recommended wattage.

## WARNINGS

All wires are connected. When unpacking, be careful not to pull wires, as a bad connection may result. Do not connect electricity until your fixture is fully assembled. To reduce the risk of fire, electrical shock, or personal injury, always turn off fixture and allow it to cool prior to replacing the lightbulb. Do not touch or look directly at the bulb when fixture is illuminated. Keep flammable materials away from lit bulb.



**WARNING:** This product can expose you to lead, which is known to the State of California to cause cancer and birth defects or other reproductive harm. For more information, go to [www.P65Warnings.ca.gov](http://www.P65Warnings.ca.gov).

THIS PRODUCT IS NOT A TOY AND HAS NO PLAY VALUE.



**WARNING: STRANGULATION HAZARD**

Keep cord at least 3 feet away from cribs, bassinets, and toddler beds. Keep out of reach of children under 3 years of age.

## ASSEMBLY &amp; INSTALLATION

1. Carefully remove all parts from the box and remove all plastic coverings.
2. Place Lamp Body (E) on the table.
3. Remove Socket Ring (C) from Socket (D).
4. Place Shade (B) over Socket (D).
5. Secure Socket Ring (C) to Socket (D).
6. Insert Bulb (A) into Socket (D).
7. Remove the red protective plug covers from the cord.
8. Plug into proper electrical outlet and test fixture.
9. Assembly is complete.

## CARE INSTRUCTIONS

Do not use polishes or cleaners on the lamp. Wipe clean with a soft, dry cloth.