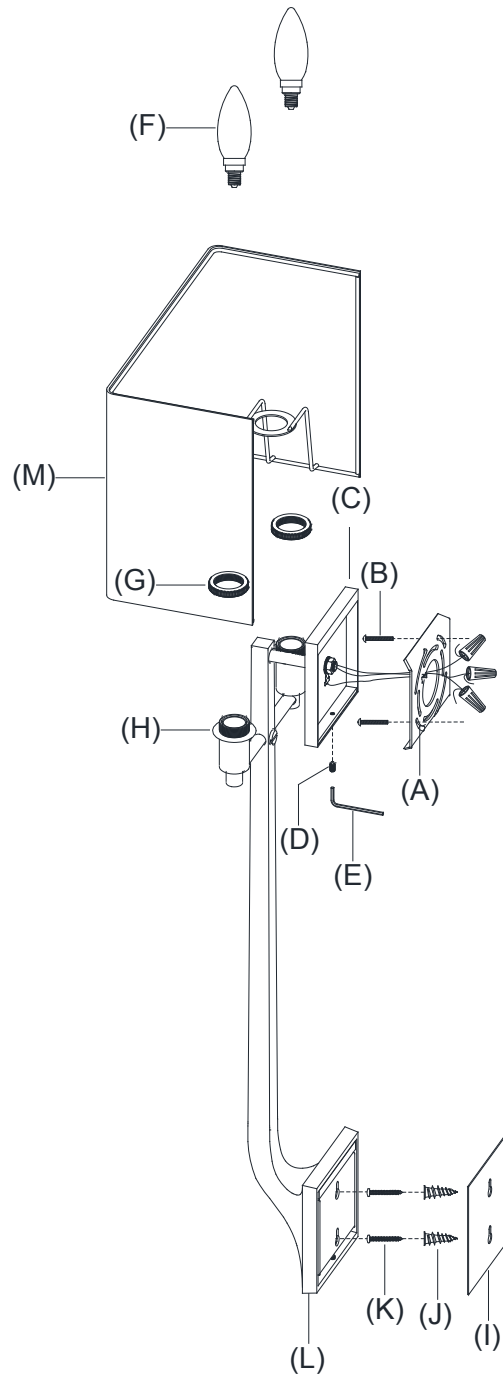


GARRETT GRAND SCONCE - SQUARE SHADE

PARTS ENCLOSED

- (A) Mounting Plate (1)
- (B) Mounting Screws (2)
- (C) Fixture Base (1)
- (D) Set Screw (1)
- (E) Allen Wrench (1)
- (F) Bulbs (2)
- (G) Socket Rings (2)
- (H) Sockets (2)
- (I) Card Template (1)
- (J) Metal Anchors (2)
- (K) Screws (2)
- (L) Lower Base (1)
- (M) Shade (1)



GARRETT GRAND SCONCE - SQUARE SHADE

IMPORTANT SAFETY INSTRUCTIONS

INSTALLATION BY A LICENSED ELECTRICIAN IS STRONGLY RECOMMENDED.

This fixture has been rated for two (2) 60-Watt maximum TYPE B lightbulbs (not included) OR two (2) 13-Watt compact fluorescent bulbs (not included) or two (2) 4.5-Watt SBLED lightbulbs (F) (4-Watt SBLED lightbulbs included). To avoid the risk of fire, do not exceed the recommended wattage.

WARNINGS

All wires are connected. When unpacking, be careful not to pull wires, as a bad connection may result. Do not connect electricity until your fixture is fully assembled. To reduce the risk of fire, electrical shock, or personal injury, always turn off fixture and allow it to cool prior to replacing the lightbulb. Do not touch or look directly at the bulb when fixture is illuminated. Keep flammable materials away from lit bulb.



WARNING: This product can expose you to lead, which is known to the State of California to cause cancer and birth defects or other reproductive harm. For more information, go to www.P65Warnings.ca.gov.

THIS IS NOT A TOY AND THE PRODUCT HAS NO PLAY VALUE.



WARNING: STRANGULATION HAZARD

Keep cord at least 3 ft away from cribs, bassinets, and toddler beds. Keep out of reach of children under 3.

ASSEMBLY & INSTALLATION

SHUT OFF THE MAIN ELECTRICAL SUPPLY FROM THE FUSE BOX OR CIRCUIT BREAKER PANEL.

- Carefully remove all parts from the box and remove all plastic covering.
- Remove Mounting Plate (A) from Fixture Base (C) by removing Set Screw (D) using Allen Wrench (E).
- Place the Fixture Base (C) to wall outlet box, draw an outer line for Lower Base (L), and make sure the two Bases (C) and (L) are vertical to each other.

ASSEMBLY & INSTALLATION CONT.

- Place Card Template (I) to the marked area and mark two points on the wall with a pencil.
- Drill small holes on the marked points; make sure each hole is big enough for a Metal Anchor (J). Push the Metal Anchors (J) into the holes.
- Insert Screws (K) into the Metal Anchors (J). Make sure 1/8" of the screw heads are visible.
- Affix Mounting Plate (A) to wall outlet box with Mounting Screws (B) provided.
- Gently pull the wiring from the wall outlet box and allow the wires to hang. Thread the wires through the center hole in the Mounting Plate (A).
- Attach the fixture ground wire (GREEN) to the ground wire from the outlet box (usually green insulation or bare wire) with a plastic wire connector and wrap the connection with electrical tape. IT IS IMPERATIVE THAT THE OUTLET BOX IN YOUR HOME BE PROPERLY GROUNDED.
- Connect the neutral wire (WHITE) to the neutral outlet wire (usually white insulation) with a plastic wire connector and wrap the connection with electrical tape.
- Connect the hot wire (BLACK) to the hot outlet box wire (usually black insulation) with a plastic wire connector and wrap the connection with electrical tape. DO NOT REVERSE THE HOT AND NEUTRAL CONNECTIONS; OTHERWISE, SAFETY WILL BE COMPROMISED.
- Attach Fixture Base (C) to Mounting Plate (A) and secure with Set Screw (D). Tighten with Allen Wrench (E).
- Hook Lower Base (L) onto the Screw Heads (K).
- Remove Socket Rings (G) from Sockets (H). Place Shade (M) onto the Sockets (H) and secure with Socket Rings (G).
- Insert Bulbs (F) into Sockets (H).
- Restore power to outlet box and check operation of fixture. Assembly is complete.

CARE INSTRUCTIONS

Do not use polishes or cleaners on your lamp. Just wipe clean with a soft cloth.