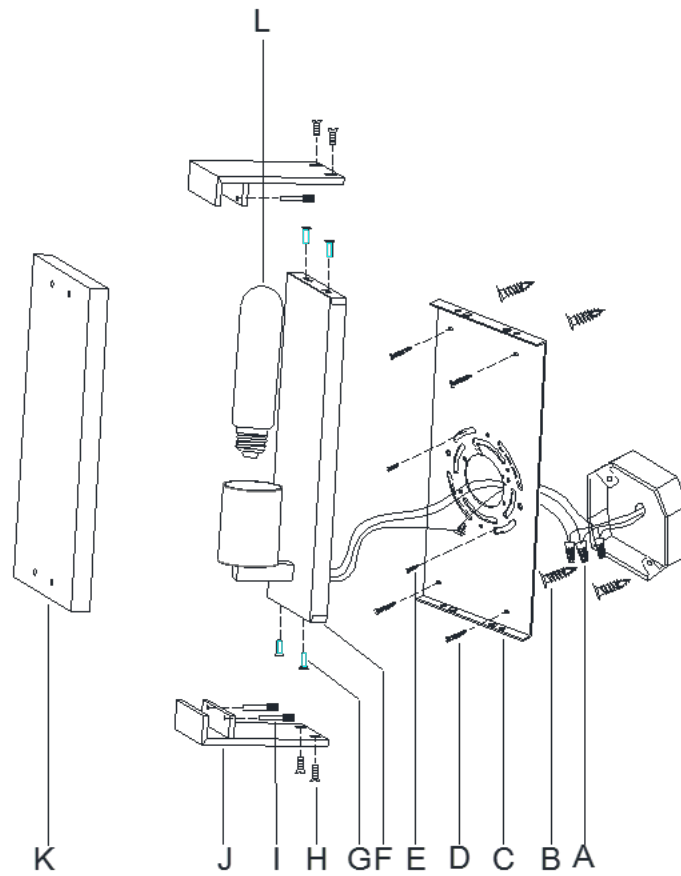


RH

HAND-CARVED ALABASTER RECTANGULAR SCONCE 18"

PARTS ENCLOSED

- (A) Wire Nuts (3)
- (B) Metal Anchors (4)
- (C) Mounting Plate (1)
- (D) Tapping Screws (4)
- (E) Mounting Screws (2)
- (F) Fixture (1)
- (G) Screws (4)
- (H) Side Screws (4)
- (I) Thread Rods (4)
- (J) Supporting Plates (2)
- (K) Alabaster Plate (1)
- (L) Bulb (1)



HAND-CARVED ALABASTER RECTANGULAR SCONCE 18"

IMPORTANT SAFETY INSTRUCTIONS

INSTALLATION BY A LICENSED ELECTRICIAN IS STRONGLY RECOMMENDED.

This fixture has been rated for up to one (1) 25-Watt maximum Type T standard (candelabra) incandescent light bulb (not included) or one (1) 5-Watt LED light bulb (not included). One (1) 4-Watt LED T9 long light bulb (L) is included. To avoid the risk of fire, do not exceed the recommended wattage. In order to protect the alabaster from cracking due to heat, we strongly suggest using the recommended LED bulb (L).

WARNINGS

All wires are connected. When unpacking, be careful not to pull wires, as a bad connection may result. Do not connect electricity until your fixture is fully assembled. To reduce the risk of fire, electrical shock, or personal injury, always turn off fixture and allow it to cool prior to replacing the light bulb. Do not touch or look directly at the bulb when fixture is illuminated. Keep flammable materials away from lit bulb.



WARNING: This product can expose you to lead, which is known to the State of California to cause cancer and birth defects or other reproductive harm. For more information, go to www.P65Warnings.ca.gov.

THIS IS NOT A TOY AND THE PRODUCT HAS NO PLAY VALUE.



WARNING: STRANGULATION HAZARD

Keep cord at least 3 ft away from cribs, bassinets, and toddler beds. Keep out of reach of children under 3.

ASSEMBLY & INSTALLATION

SHUT OFF THE MAIN ELECTRICAL SUPPLY FROM THE FUSE BOX OR CIRCUIT BREAKER PANEL.

1. Carefully remove all parts from the box and remove all plastic covering.
2. Remove the Supporting Plates (J) from the Fixture (F) by loosening Side Screws (H).
3. Remove the Mounting Plate (C) from the Fixture (F) by loosening the Screws (G).
4. Drill 4 holes on the wall and make sure the holes match the Mounting Plate (C) holes.
5. Knock the Metal Anchors (B) into the wall holes.
6. Affix Mounting Plate (C) onto the outlet box and secure with Mounting Screws (E), then secure the tapping Screws (D) into the Metal Anchors (B).
7. Connect the Ground (bare) fixture wire to the ground (usually bare) wire from your outlet box using Wire Nut (A). If your house does not have ground wire, then attach it to the green grounding screw on the Mounting Plate (C). **IT IS IMPERATIVE THAT THE OUTLET BOX IN YOUR HOME BE PROPERLY GROUNDED.**
8. Connect the neutral wire (WHITE) from the fixture to the neutral wire from the building using the provided Wire Nut (A).
9. Connect the hot wire (BLACK) from the fixture to the hot wire from the building with the provided Wire Nut (A).
10. Secure each connection by tightening and then checking that no wires can be pulled out. **DO NOT REVERSE THE HOT AND NEUTRAL CONNECTIONS; OTHERWISE, SAFETY WILL BE COMPROMISED.**
11. Carefully tuck the wires inside the outlet box.
12. Secure Fixture (F) to the Mounting Plate (C) by Screws (G).
13. Insert Bulb (L) into the socket.
14. Secure each Supporting Plate (J) to the Alabaster Plate (K) by Thread Rod (I).
15. Attach the Alabaster Plate (K) and Supporting Plate (J) to the Fixture (F) and secure with Side Screws (H).
16. Assembly is complete.

CARE INSTRUCTIONS

Do not use polishes or cleaners on your lamp. Just wipe clean with a soft cloth. To remove stain, wipe stain with a damp cloth.