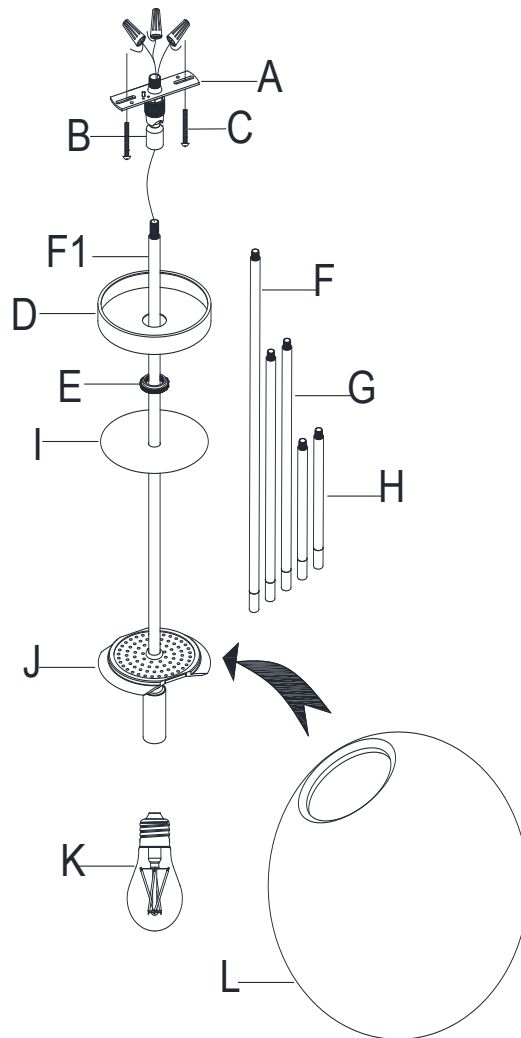


RH

HAND-CARVED ALABASTER GLOBE PENDANT 14"

PARTS ENCLOSED

- (A) Mounting Strap (1)
- (B) Mounting Loop (1)
- (C) Mounting Screws (2)
- (D) Canopy (1)
- (E) Canopy Ring (1)
- (F) 18" Connection Rods (1)
- (F1) 18" Connection Rods (1)
- (G) 12" Connection Rods (2)
- (H) 6" Connection Rods (2)
- (I) Shade Cover (1)
- (J) Socket Assembly (1)
- (K) Bulb (1)
- (L) Alabaster Shade (1)



HAND-CARVED ALABASTER GLOBE PENDANT 14"

IMPORTANT SAFETY INSTRUCTIONS

INSTALLATION BY A LICENSED ELECTRICIAN IS STRONGLY RECOMMENDED.

This fixture has been rated for up to one (1) 60-Watt maximum Type A light bulb (not included) or one (1) 13-Watt compact fluorescent light bulb (not included) or one (1) 4.5-Watt SBLED light bulb (K) (included). To avoid the risk of fire, do not exceed the recommended wattage.

WARNINGS

All wires are connected. When unpacking, be careful not to pull wires, as a bad connection may result. Do not connect electricity until your fixture is fully assembled. To reduce the risk of fire, electrical shock, or personal injury, always turn off fixture and allow it to cool prior to replacing the lightbulb. Do not touch or look directly at the bulb when fixture is illuminated. Keep flammable materials away from lit bulb.



WARNING: This product can expose you to lead, which is known to the State of California to cause cancer and birth defects or other reproductive harm. For more information, go to www.P65Warnings.ca.gov.

THIS IS NOT A TOY AND THE PRODUCT HAS NO PLAY VALUE.



WARNING: STRANGULATION HAZARD

Keep cord at least 3 ft away from cribs, bassinets, and toddler beds. Keep out of reach of children under 3.

ASSEMBLY & INSTALLATION

SHUT OFF THE MAIN ELECTRICAL SUPPLY FROM THE FUSE BOX OR CIRCUIT BREAKER PANEL.

- Carefully remove all parts from the box and remove all plastic covering.
- Slide Shade Cover (I) onto top of Socket Assembly (J).
- Unscrew Canopy Ring (E) from Mounting Loop (B). Slide Canopy Ring (E) and Canopy (D) on Connection Rod (F1).

ASSEMBLY & INSTALLATION CONT.

- Determine the hanging length of pendant. Connect Connection Rod (F1) to some or all Connection Rods (F) (G) and (H) according to the height needed.
- Feed the wire through the Connection Rods (H) (G) and (F).
- Thread the inner rod of Connection Rod (F) (G) or (H) to the bottom opening of Mounting Loop (B) by turning in a clockwise direction.
- Attach Mounting Strap (A) to ceiling outlet box and secure with Mounting Screws (C).
- Gently pull the wire from ceiling outlet box and allow the wire to hang. Thread the wire through the center hole of Mounting Loop (B).
- Carefully inspect the chandelier's two fixture wires. One has very fine ridges molded into the plastic covering – this is the neutral wire. The second wire's covering is smooth – this is the hot wire. The bare wire is the ground wire.
- Connect the ground wire from the fixture with the ground wire (usually bare) from your ceiling box using a wire nut. If your house does not have ground wire, then attach the ground wire from the fixture to the green grounding screw inside of the outlet box. **IT IS IMPERATIVE THAT THE OUTLET BOX IN YOUR HOME BE PROPERLY GROUNDED.**
- Connect the neutral wire from your fixture with the neutral wire (usually white) from your ceiling box using a wire nut.
- Connect the hot wire from your fixture with the hot wire (usually black) from your outlet box using a wire nut. **DO NOT REVERSE THE HOT AND NEUTRAL CONNECTIONS; OTHERWISE, SAFETY WILL BE COMPROMISED.**
- Raise Canopy (D) to the affixed Mounting Strap (A) and secure with Canopy Ring (E).
- Insert the Bulb (K) into the socket.
- Insert Alabaster Shade (L) into the Socket Assembly (J) at a slant.
- Restore power to outlet box and check operation of fixture.
- Assembly is complete.

CARE INSTRUCTIONS

Do not use polishes or cleaners on your lamp. Just wipe clean with a soft cloth.