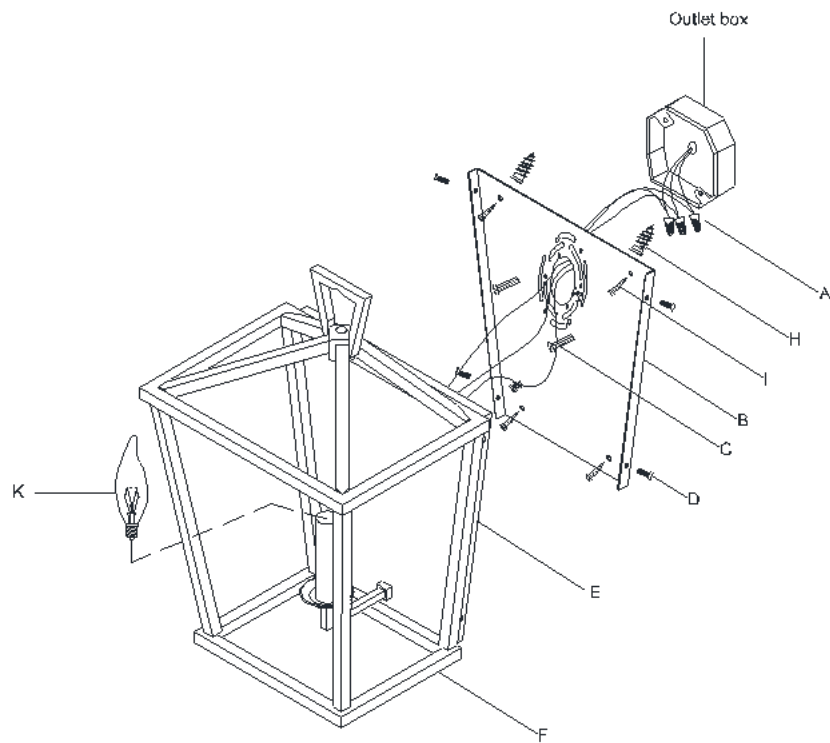


## 19TH C. ENGLISH OPENWORK SCONCE

## PARTS ENCLOSED

- (A) Wire Nuts (3)
- (B) Mounting Plate (1)
- (C) Mounting Screws (2)
- (D) Side Screws (4)
- (E) Back Plate (1)
- (F) Fixture (1)
- (H) Metal Anchors (4)
- (J) Screws (4)
- (K) Bulb (1)



**IMPORTANT SAFETY INSTRUCTIONS**

INSTALLATION BY A LICENSED ELECTRICIAN IS STRONGLY RECOMMENDED.

This fixture has been rated for up to one (1) 60-Watt maximum E12 Type CA candelabra bulb (not included), or one (1) 13-Watt compact fluorescent light bulb (not included) or one (1) 5-Watt LED light bulb (not included). One (1) 40-Watt E12 Type B candelabra bulb is included. To avoid the risk of fire, do not exceed the recommended wattage.

**WARNINGS**

All wires are connected. When unpacking, be careful not to pull wires, as a bad connection may result. Do not connect electricity until your fixture is fully assembled. To reduce the risk of fire, electrical shock, or personal injury, always turn off fixture and allow it to cool prior to replacing the light bulb. Do not touch or look directly at the bulb when fixture is illuminated. Keep flammable materials away from lit bulb.



**WARNING:** This product can expose you to lead, which is known to the State of California to cause cancer and birth defects or other reproductive harm. For more information, go to [www.P65Warnings.ca.gov](http://www.P65Warnings.ca.gov).

**THIS IS NOT A TOY AND THE PRODUCT HAS NO PLAY VALUE.**



**WARNING: STRANGULATION HAZARD**

Keep cord at least 3 ft away from cribs, bassinets, and toddler beds. Keep out of reach of children under 3.

**ASSEMBLY & INSTALLATION**

SHUT OFF THE MAIN ELECTRICAL SUPPLY FROM THE FUSE BOX OR CIRCUIT BREAKER PANEL.

1. Carefully remove all parts from the box and remove all plastic covering.
2. Carefully remove the Mounting Plate (B) from the Back Plate (E) by unscrewing the Screws (C).
3. Drill 4 holes on the wall and make sure the hole distance will match to the Mounting Plate (B) holes.
4. Knock the Metal Anchors (H) into the wall hole.
5. Secure the Mounting Plate (B) to the outlet box in your wall using the two Mounting Screws (C) and Screws (I).
6. Connect the ground (bare) fixture wire to the ground (usually bare) wire from your outlet box using Wire Nut (A). If your house does not have ground wire, then attach it to the green grounding screw on the Mounting Plate (B). **IT IS IMPERATIVE THAT THIS FIXTURE BE GROUNDED.**
7. Attach the neutral wire (WHITE) from the fixture to the neutral wire from the building using the provided Wire Nut (A).
8. Attach the hot wire (BLACK) from the fixture to the hot wire from the building with the provided Wire Nut (A).
9. Secure each connection by tightening and then checking that no wires can be pulled out. **DO NOT REVERSE THE HOT AND NEUTRAL CONNECTIONS; OTHERWISE, SAFETY WILL BE COMPROMISED.**
10. Carefully tuck the wires inside the outlet box.
11. Secure Back Plate (E) to the Mounting Plate (B) by Side Screws (D).
12. Insert Bulb (K) into the socket.
13. Installation is complete, turn on power at fuse or circuit breaker.

**CARE INSTRUCTIONS**

Do not use polishes or cleaners on your lamp. Just wipe clean with a soft cloth.