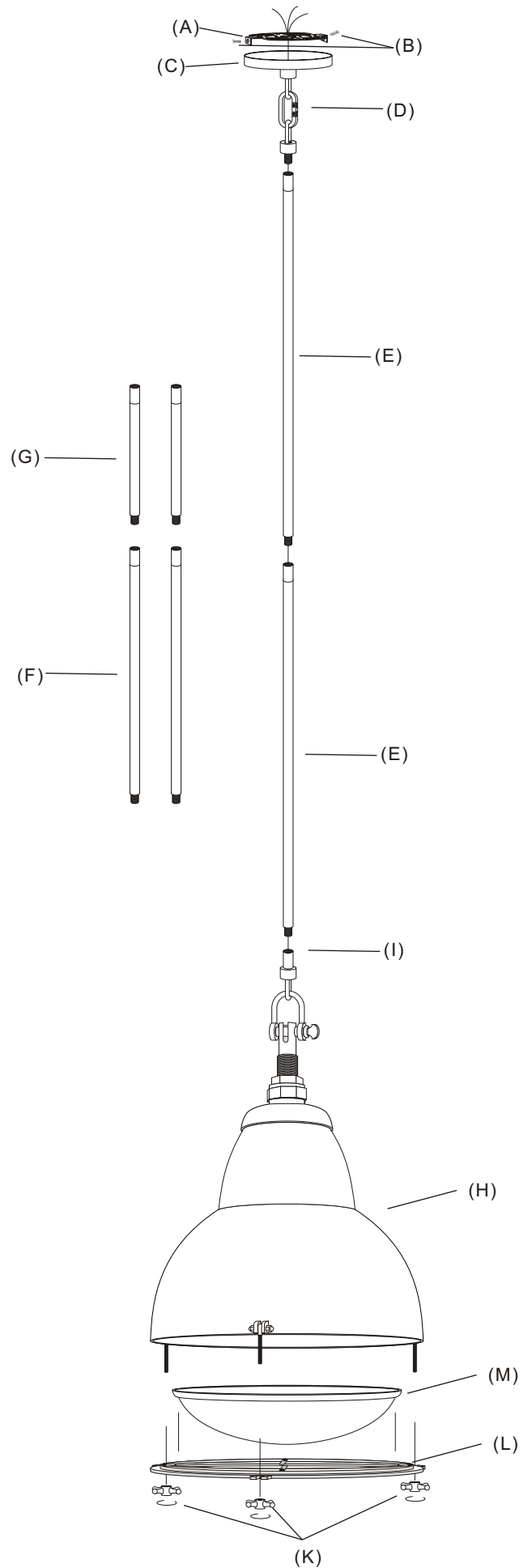


PARIS STREET LAMP PENDANT 17"

PARTS ENCLOSED:

- (A) Mounting Plate (1)
- (B) Holding Screws (2)
- (C) Canopy (1)
- (D) Carabiner (1)
- (E) 18" Extension Rods (2)
- (F) 12" Extension Rods (2)
- (G) 6" Extension Rods (2)
- (H) Light Fixture (1)
- (I) Threaded Joint (1)
- (J) Ring (1)
- (K) Knobs for Fitting (3)
- (L) Metal Clips with Screws (4)
- (M) Glass Diffuser



IMPORTANT PLEASE READ**WE RECOMMEND INSTALLATION BY A LICENSED ELECTRICIAN.****SAFETY INSTRUCTIONS:**

This fixture must be mounted to the ceiling independent of an outlet box. Your ceiling may require modification to allow the mounting plate to be secured to a structural member. This fixture **MUST NOT** be secured using any type of hollow ceiling anchor, such as a toggle bolt.

This fixture has been rated for up to one 60-watt maximum Type A standard light bulb (not included) or 9 watt LED (not included). To avoid the risk of fire, do not exceed the recommended wattage.

WARNINGS:

All wires are connected. When unpacking, be careful not to pull wires as a bad connection may result. Do not connect electricity until your fixture is fully assembled. To reduce the risk of fire, electrical shock, or personal injury, always turn off fixture and allow it to cool prior to replacing the light bulb. Do not touch the bulb when fixture is turned on or look directly at lit bulb. Keep flammable materials away from lit bulb.

This lighting fixture contains lead, a chemical known to the State of California to cause cancer, birth defects and other reproductive harm. Wash hands after installing, handling, cleaning, or otherwise, touching this light fixture.

THIS IS NOT A TOY AND THE PRODUCT HAS NO PLAY VALUE.**WARNING: STRANGULATION HAZARD**

Keep cord at least 3 ft away from cribs, bassinets, and toddler beds.
Keep out of reach of children under 3.

ASSEMBLY & INSTALLATION:

1. Carefully remove all parts from the box and remove all plastic covering.
2. Determine the hanging length of pendant. Connect Threaded Joints (I) to some or all Connection Rods (E) (F) (G) according to the height needed.
3. Unscrew Mounting Plate (A) from Canopy (C).
4. Feed wires through the Connection Rods; the wires will come out on the backside of the Canopy (C).
5. Attach Mounting Plate (A) to ceiling and secure with mounting screws (not included).
6. Connect the GROUND WIRE from the fixture with the ground wire (usually bare) from your ceiling box using a wire nut. If your house does not have ground wire, then attach the GROUND WIRE from the fixture to the green grounding screw inside of the outlet box. **IT IS IMPERATIVE THAT THE OUTLET BOX IN YOUR HOME BE PROPERLY GROUNDED.**
7. Connect the NEUTRAL WIRE from your fixture with the neutral wire (usually white) from your ceiling box using a wire nut.
8. Connect the HOT WIRE from your fixture with the hot wire (usually black) from your outlet box using a wire nut. **DO NOT REVERSE THE HOT AND NEUTRAL CONNECTIONS; OTHERWISE, SAFETY WILL BE COMPROMISED.**
9. Tuck the wire connection neatly into the ceiling outlet box.
10. Cover the Mounting Plate (A) with Canopy (C). Tighten it with Holding Screws (B).
11. Install one Type A bulb 60W maximum.
12. Unscrew the Knobs (K) and Remove the Ring (J).
13. Loosen the screws of Metal Clips (L) and slide them outwards.
14. Place the Glass Diffuser (M) on the Ring (J) and turn Metal Clips (L) inward; tighten the Screws of Metal Clips (L) to attach the Glass Diffuser (M) on the Ring (J).
15. Install the Ring with Glass Diffuser to Light Fixture (H) and screw in Knobs for Fitting (K).
16. Assembly is complete.

CARE INSTRUCTIONS:

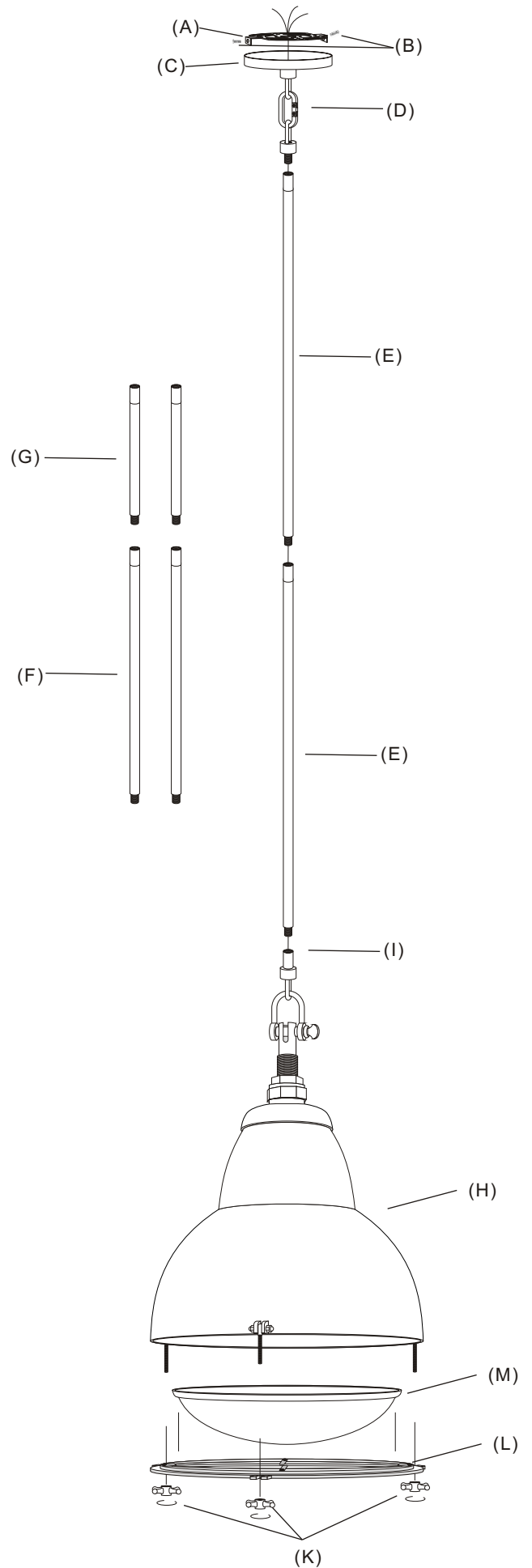
Wipe all surfaces with a soft dry cloth.

Do not use any harsh cleaners (including ammonia-based products) or abrasives, as they will damage the finish.

PARIS STREET LAMP PENDANT 15"

PARTS ENCLOSED:

- (A) Mounting Plate (1)
- (B) Holding Screws (2)
- (C) Canopy (1)
- (D) Carabiner (1)
- (E) 18" Extension Rods (2)
- (F) 12" Extension Rods (2)
- (G) 6" Extension Rods (2)
- (H) Light Fixture (1)
- (I) Threaded Joint (1)
- (J) Ring (1)
- (K) Knobs for Fitting (3)
- (L) Metal Clips with Screws (4)
- (M) Glass Diffuser



IMPORTANT PLEASE READ**WE RECOMMEND INSTALLATION BY A LICENSED ELECTRICIAN.****SAFETY INSTRUCTIONS:**

This fixture must be mounted to the ceiling independent of an outlet box. Your ceiling may require modification to allow the mounting plate to be secured to a structural member. This fixture **MUST NOT** be secured using any type of hollow ceiling anchor, such as a toggle bolt.

This fixture has been rated for up to one 60-watt maximum Type A standard light bulb (not included) or 9 watt LED (not included). To avoid the risk of fire, do not exceed the recommended wattage.

WARNINGS:

All wires are connected. When unpacking, be careful not to pull wires as a bad connection may result. Do not connect electricity until your fixture is fully assembled. To reduce the risk of fire, electrical shock, or personal injury, always turn off fixture and allow it to cool prior to replacing the light bulb. Do not touch the bulb when fixture is turned on or look directly at lit bulb. Keep flammable materials away from lit bulb.

This lighting fixture contains lead, a chemical known to the State of California to cause cancer, birth defects and other reproductive harm. Wash hands after installing, handling, cleaning, or otherwise, touching this light fixture.

THIS IS NOT A TOY AND THE PRODUCT HAS NO PLAY VALUE.**WARNING: STRANGULATION HAZARD**

Keep cord at least 3 ft away from cribs, bassinets, and toddler beds.
Keep out of reach of children under 3.

ASSEMBLY & INSTALLATION:

1. Carefully remove all parts from the box and remove all plastic covering.
2. Determine the hanging length of pendant. Connect Threaded Joints (I) to some or all Connection Rods (E) (F) (G) according to the height needed.
3. Unscrew Mounting Plate (A) from Canopy (C).
4. Feed wires through the Connection Rods; the wires will come out on the backside of the Canopy (C).
5. Attach Mounting Plate (A) to ceiling and secure with mounting screws (not included).
6. Connect the GROUND WIRE from the fixture with the ground wire (usually bare) from your ceiling box using a wire nut. If your house does not have ground wire, then attach the GROUND WIRE from the fixture to the green grounding screw inside of the outlet box. **IT IS IMPERATIVE THAT THE OUTLET BOX IN YOUR HOME BE PROPERLY GROUNDED.**
7. Connect the NEUTRAL WIRE from your fixture with the neutral wire (usually white) from your ceiling box using a wire nut.
8. Connect the HOT WIRE from your fixture with the hot wire (usually black) from your outlet box using a wire nut. **DO NOT REVERSE THE HOT AND NEUTRAL CONNECTIONS; OTHERWISE, SAFETY WILL BE COMPROMISED.**
9. Tuck the wire connection neatly into the ceiling outlet box.
10. Cover the Mounting Plate (A) with Canopy (C). Tighten it with Holding Screws (B).
11. Install one Type A bulb 60W maximum.
12. Unscrew the Knobs (K) and Remove the Ring (J).
13. Loosen the screws of Metal Clips (L) and slide them outwards.
14. Place the Glass Diffuser (M) on the Ring (J) and turn Metal Clips (L) inward; tighten the Screws of Metal Clips (L) to attach the Glass Diffuser (M) on the Ring (J).
15. Install the Ring with Glass Diffuser to Light Fixture (H) and screw in Knobs for Fitting (K).
16. Assembly is complete.

CARE INSTRUCTIONS:

Wipe all surfaces with a soft dry cloth.

Do not use any harsh cleaners (including ammonia-based products) or abrasives, as they will damage the finish.