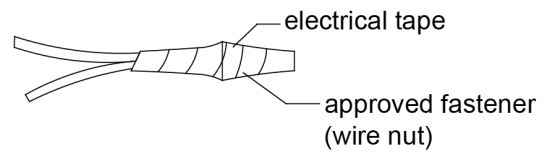
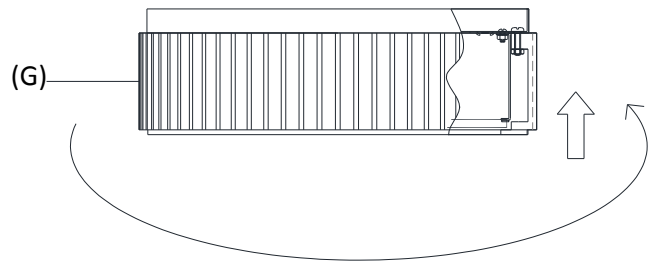
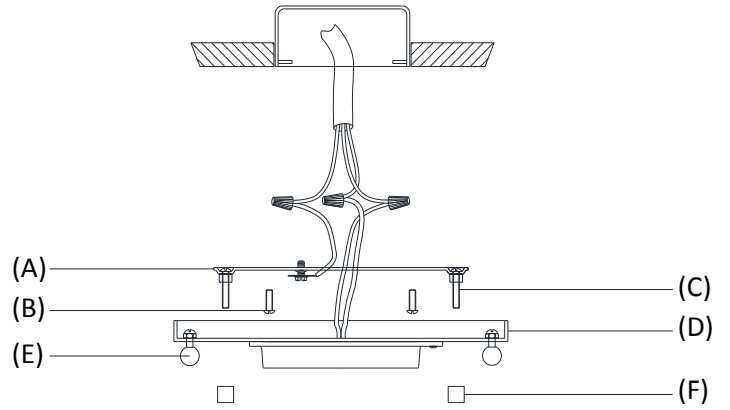


RH

DAVENPORT 14" FLUSHMOUNT

PARTS ENCLOSED:

- (A) Mounting Plate (1)
- (B) Mounting Screw (2)
- (C) Set Screw (2)
- (D) Canopy (1)
- (E) Ball Nut (2)
- (F) End Nut (2)
- (G) Body (1)



IMPORTANT PLEASE READ

WE RECOMMEND INSTALLATION BY A LICENSED ELECTRICIAN.


SAFETY INSTRUCTIONS:

This fixture is designed to be mounted to the ceiling on an octagon box. The box must be securely mounted to the structure of the building.


WARNINGS:

Do not connect to electricity until your fixture is fully assembled. To reduce the risk of fire, electrical shock, or personal injury, always turn off fixture and allow it to cool prior to replacing the LED bulb. Do not touch the bulb when fixture is turned on or look directly at lit bulb. Keep flammable materials away from lit bulb.

This lighting fixture contains lead, a chemical known to the State of California to cause cancer, birth defects, and other reproductive harm. Wash hands after installing, handling, cleaning, or otherwise, touching this light fixture.

 **WARNING:** This product can expose you to lead, which is known to the State of California to cause cancer and birth defects or other reproductive harm. For more information, go to www.P65Warnings.ca.gov.

THIS IS NOT A TOY AND THE PRODUCT HAS NO PLAY VALUE.

 **WARNING: STRANGULATION HAZARD**
Keep cord at least 3 ft away from cribs, bassinets, and toddler beds. Keep out of reach of children under 3.

ASSEMBLY & INSTALLATION:

1. Carefully remove the fixture and all parts from the carton. Before discarding the carton, double check the packaging to make sure that all parts have been found.
2. Attach the mounting bar to the outlet box (the green screw should face out). Pull wires out of box.
3. Fasten the bare ground wire to the green or bare copper wire in the outlet box or the green screw on the crossbar.
NEVER FASTEN THE GROUND WIRE TO THE BLACK OR "HOT" WIRE! FAILURE TO FOLLOW THIS INSTRUCTION COULD RESULT IN SERIOUS INJURY OR DEATH!
4. Fasten the fixture lead with the ridge(s) to the white wire in the outlet box. Fasten the wires together with an approved fastener (wire nut). Starting about 1" below the fastener, tightly wrap the connection with electrical tape so that the tape seals the end of the fastener. Make sure that there is no exposed wire or strands that could cause a dangerous short circuit.
5. Connect the black fixture wires to the black wire in the outlet box. Fasten the joined wires as in step 4.
6. Attach the canopy with LED set to the mounting plate; secure it by end nuts.
7. Attach the body to the canopy. Align the key slot to the ball nut on the canopy. Twist the fixture and install the fixture key slot into the ball nuts. Make sure that the fixture locks onto the canopy.
8. Restore power to circuit at breaker or fuse box.

CARE INSTRUCTIONS:

Wipe all surfaces with a soft, dry cloth. Do not use cleansers.