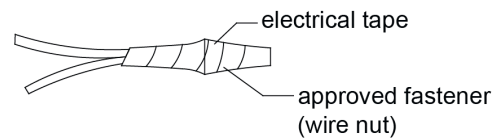
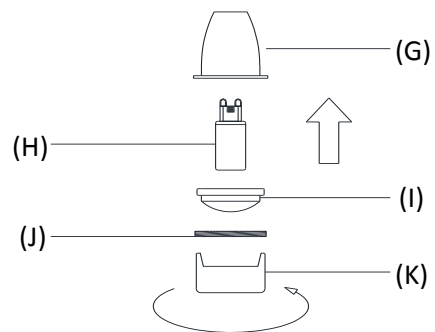
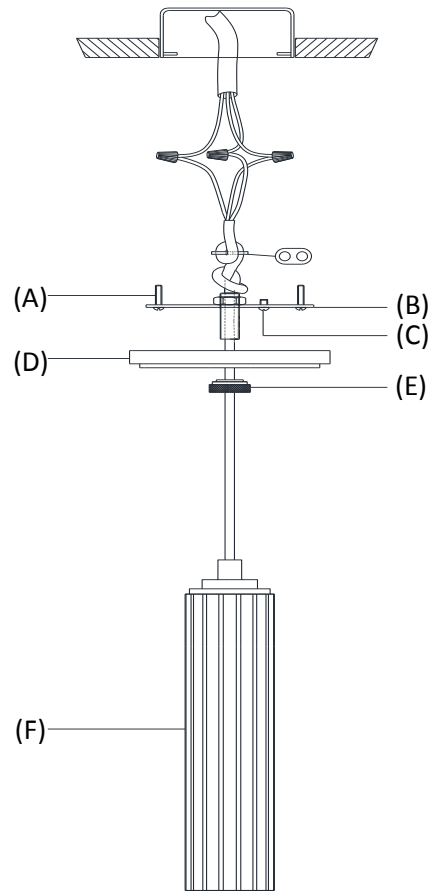


RH

DAVENPORT PENDANT

PARTS ENCLOSED:

- (A) Mounting Screw (2)
- (B) Mounting Bar (1)
- (C) Ground Screw (1)
- (D) Canopy (1)
- (E) End Nut (1)
- (F) Body (1)
- (G) Reflector (1)
- (H) LED Bulb (1)
- (I) Crystal Diffuser with Gasket (1)
- (J) Ring (1)
- (K) Tool for Ring (1)



IMPORTANT PLEASE READ

WE RECOMMEND INSTALLATION BY A LICENSED ELECTRICIAN.


SAFETY INSTRUCTIONS:

This fixture is designed to be mounted to the ceiling on an octagon box. The box must be securely mounted to the structure of the building.

WARNINGS:

Do not connect to electricity until your fixture is fully assembled. To reduce the risk of fire, electrical shock, or personal injury, always turn off fixture and allow it to cool prior to replacing the LED bulb. Do not touch the bulb when fixture is turned on or look directly at lit bulb. Keep flammable materials away from lit bulb.

This lighting fixture contains lead, a chemical known to the State of California to cause cancer, birth defects, and other reproductive harm. Wash hands after installing, handling, cleaning, or otherwise, touching this light fixture.

 **WARNING:** This product can expose you to lead, which is known to the State of California to cause cancer and birth defects or other reproductive harm. For more information, go to www.P65Warnings.ca.gov.

THIS IS NOT A TOY AND THE PRODUCT HAS NO PLAY VALUE.

 **WARNING: STRANGULATION HAZARD**

Keep cord at least 3 ft away from cribs, bassinets, and toddler beds. Keep out of reach of children under 3.

ASSEMBLY & INSTALLATION:

1. Carefully remove the fixture and all parts from the carton. Before discarding the carton, double check the packaging to make sure that all parts have been found.
2. Attach the mounting bar to the outlet box (the green screw should face out). Pull wires out of box. Thread the nipple onto the mounting bar.
3. Thread the wire through the end nut, canopy, stem, and mounting bar. Tie a knot as shown in the diagram.
4. Measure 6" of lead wire beyond the end of the chain. Cut off excess wire. Strip the insulation off the ends of the leads, exposing approx. ½" of wire. Twist the strands of wire together. Push the leads and ground wire up through the screwcollar loop and nipple and into the outlet box.
5. Fasten the bare ground wire to the green or bare copper wire in the outlet box or the green screw on the crossbar.
NEVER FASTEN THE GROUND WIRE TO THE BLACK OR "HOT" WIRE! FAILURE TO FOLLOW THIS INSTRUCTION COULD RESULT IN SERIOUS INJURY OR DEATH!
6. Fasten the fixture lead with the ridge(s) to the white wire in the outlet box. Fasten the wires together with an approved fastener (wire nut). Starting about 1" below the fastener, tightly wrap the connection with electrical tape so that the tape seals the end of the fastener. Make sure that there is no exposed wire or strands that could cause a dangerous short circuit.
7. Connect the smooth fixture lead to the black wire in the outlet box. Fasten the joined wires as in step 6.
8. Slide the canopy and end nut up and secure the canopy to the ceiling by the end nut.
9. Install the LED bulb. This fixture is rated for 4 watt type G9 LED bulb. **DO NOT EXCEED RECOMMENDED WATTAGE!**
10. Attach the crystal diffuser with gasket and reflector to the fixture and secure it by the ring and the roll for the ring.
11. Restore power to circuit at breaker or fuse box.

CARE INSTRUCTIONS:

Wipe all surfaces with a soft, dry cloth. Do not use cleansers.