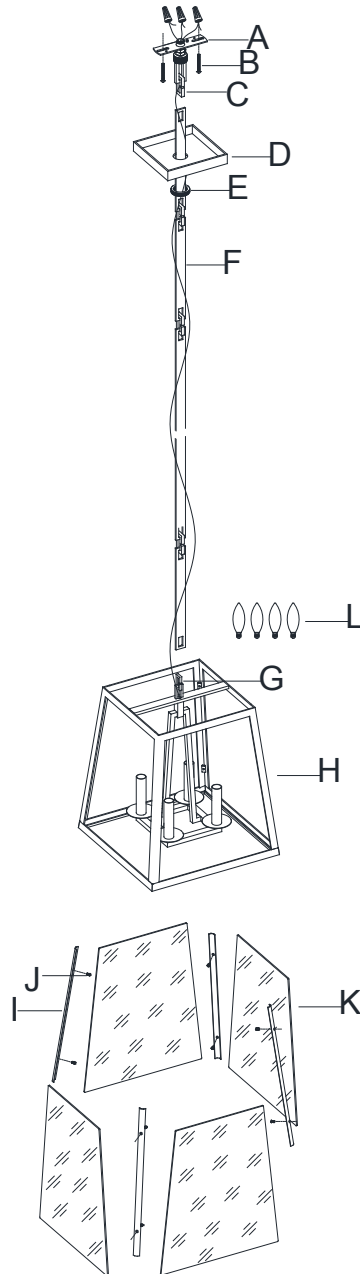


## ATWELL PENDANT 15"

### PARTS ENCLOSED

- (A) Mounting Strap (1)
- (B) Mounting Screws (2)
- (C) Mounting Loop (1)
- (D) Canopy (1)
- (E) Canopy Ring (1)
- (F) Chains Set (8)
- (G) Hanging Loop (1)
- (H) Lantern Box (1)
- (I) Angle Steel Bars (4)
- (J) Set Screws (8)
- (K) Glass Panels (4)
- (L) Bulb (4)



## ATWELL PENDANT 15"

**IMPORTANT SAFETY INSTRUCTIONS**

INSTALLATION BY A LICENSED ELECTRICIAN IS STRONGLY RECOMMENDED.

This fixture has been rated for up to four (4) 60-Watt maximum Type B light bulbs (L) (40-Watt light bulbs included) or four (4) 13-Watt compact fluorescent light bulbs (not included). To avoid the risk of fire, do not exceed the recommended wattage.

**WARNINGS**

All wires are connected. When unpacking, be careful not to pull wires, as a bad connection may result. Do not connect electricity until your fixture is fully assembled. To reduce the risk of fire, electrical shock, or personal injury, always turn off fixture and allow it to cool prior to replacing the light bulb. Do not touch or look directly at the bulb when fixture is illuminated. Keep flammable materials away from lit bulb.



**WARNING:** This product can expose you to lead, which is known to the State of California to cause cancer and birth defects or other reproductive harm. For more information, go to [www.P65Warnings.ca.gov](http://www.P65Warnings.ca.gov).

**THIS IS NOT A TOY AND THE PRODUCT HAS NO PLAY VALUE.**



**WARNING: STRANGULATION HAZARD**

Keep cord at least 3 ft away from cribs, bassinets, and toddler beds. Keep out of reach of children under 3.

**ASSEMBLY & INSTALLATION**

SHUT OFF THE MAIN ELECTRICAL SUPPLY FROM THE FUSE BOX OR CIRCUIT BREAKER PANEL.

- Carefully remove all parts from the box and remove all plastic covering.
- Remove Angle Steel Bars (I) from Lantern Box (H) by unscrewing Set Screws (J). Place Glass Panels (K) to the frame of Lantern Box (H) and secure by replacing Angle Steel Bars (I). Tighten with Set Screws (J). **DO NOT OVERTIGHTEN; OTHERWISE, THE GLASS PANELS WILL BE DAMAGED.**

**ASSEMBLY & INSTALLATION CONT.**

- According to the hanging length, hook some or all Chains Set (F) to Hanging Loop (G).
- Remove Canopy (D) from Mounting Strap (A) by unscrewing Canopy Ring (E).
- Slide Canopy Ring (E) and Canopy (D) on Chains Set (F).
- Feed the wires through the Chains Set (F), Canopy Ring (E), and Canopy (D).
- Attach Mounting Strap (A) to ceiling and secure with Mounting Screws (B) provided.
- Hook the Chains (F) with Lantern Box (H) to Mounting Loop (C).
- Gently pull the wire from ceiling outlet box and allow the wire to hang. Thread the wire through the center hole of Mounting Strap (A).
- Carefully inspect the chandelier's two fixture wires. One has very fine ridges molded into the plastic covering – this is the neutral wire. The second wire's covering is smooth – this is the hot wire. The bare wire is the ground wire.
- Connect the ground wire from the fixture with the ground wire (usually bare) from your ceiling box using a wire nut. If your house does not have ground wire, then attach the ground wire from the fixture to the green grounding screw inside of the outlet box. **IT IS IMPERATIVE THAT THE OUTLET BOX IN YOUR HOME BE PROPERLY GROUNDED.**
- Connect the neutral wire from your fixture with the neutral wire (usually white) from your ceiling box using a wire nut.
- Connect the hot wire from your fixture with the hot wire (usually black) from your outlet box using a wire nut. **DO NOT REVERSE THE HOT AND NEUTRAL CONNECTIONS; OTHERWISE, SAFETY WILL BE COMPROMISED.**
- Slide Canopy (D) to the affixed Mounting Plate (A) and secure with Canopy Ring (E).
- Insert Bulbs (L) into the sockets.
- Restore power to outlet box and check operation of fixture.
- Assembly is complete.

**CARE INSTRUCTIONS**

Do not use polishes or cleaners on your lamp. Just wipe clean with a soft cloth.