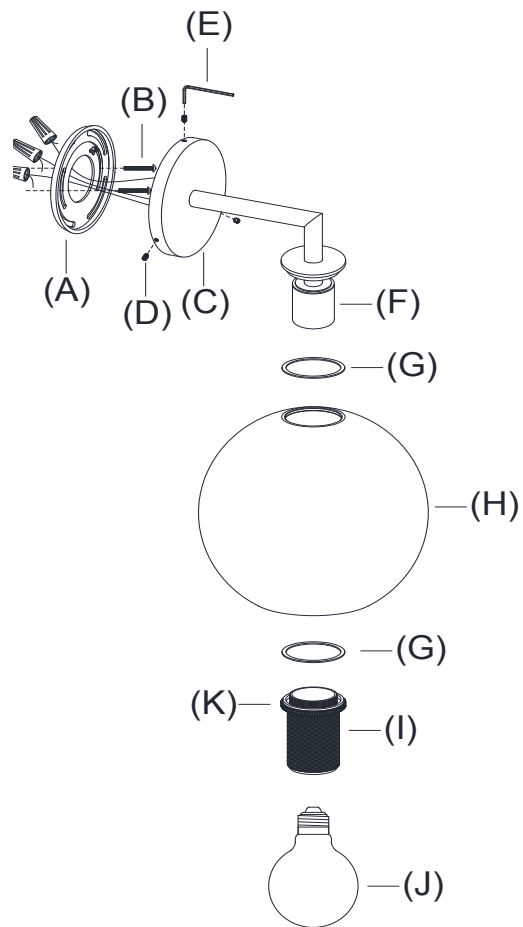


UTILITAIRE GLOBE SHADE SINGLE SCONCE

PARTS ENCLOSED

- (A) Mounting Plate (1)
- (B) Mounting Screws (2)
- (C) Fixture Base (1)
- (D) Set Screws (3)
- (E) Allen Wrench (1)
- (F) Socket (1)
- (G) Fiber Washers (2)
- (H) Glass Shade (1)
- (I) Socket Cover (1)
- (J) Light Bulb (1)
- (K) Location Ring (1)



UTILITAIRE GLOBE SHADE SINGLE SCONCE

IMPORTANT SAFETY INSTRUCTIONS

INSTALLATION BY A LICENSED ELECTRICIAN IS STRONGLY RECOMMENDED.

This fixture has been rated for one (1) 40-Watt maximum TYPE G 25 bulb (J) (included) OR one (1) 9-Watt compact fluorescent bulb (not included). To avoid the risk of fire, do not exceed the recommended wattage.

WARNINGS

All wires are connected. When unpacking, be careful not to pull wires, as a bad connection may result. Do not connect electricity until your fixture is fully assembled. To reduce the risk of fire, electrical shock, or personal injury, always turn off fixture and allow it to cool prior to replacing the light bulb. Do not touch or look directly at the bulb when fixture is illuminated. Keep flammable materials away from lit bulb.



WARNING: This product can expose you to lead, which is known to the State of California to cause cancer and birth defects or other reproductive harm. For more information, go to www.P65Warnings.ca.gov.

THIS IS NOT A TOY AND THE PRODUCT HAS NO PLAY VALUE.



WARNING: STRANGULATION HAZARD

Keep cord at least 3 ft away from cribs, bassinets, and toddler beds. Keep out of reach of children under 3.

ASSEMBLY & INSTALLATION

SHUT OFF THE MAIN ELECTRICAL SUPPLY FROM THE FUSE BOX OR CIRCUIT BREAKER PANEL.

1. Carefully remove all parts from the box and remove all plastic covering.
2. Remove Mounting Plate (A) from Fixture Base (C) by removing Set Screws (D) with Allen Wrench (E).
3. Affix Mounting Plate (A) to wall outlet box with Mounting Screws (B) provided.

ASSEMBLY & INSTALLATION CONT.

4. Gently pull the wiring from the wall ceiling outlet box and allow the wires to hang. Thread the wires through the center hole in the Mounting Plate (A).
5. Attach the fixture ground wire (GREEN) to the ground wire from the outlet box (usually green insulation or bare wire) with a plastic wire connector and wrap the connection with electrical tape. IT IS IMPERATIVE THAT THE OUTLET BOX IN YOUR HOME BE PROPERLY GROUNDED.
6. Connect the neutral wire (WHITE) to the neutral outlet wire (usually white insulation) with a plastic wire connector and wrap the connection with electrical tape.
7. Connect the hot wire (BLACK) to the hot outlet box wire (usually black insulation) with a plastic wire connector and wrap the connection with electrical tape. DO NOT REVERSE THE HOT AND NEUTRAL CONNECTIONS; OTHERWISE, SAFETY WILL BE COMPROMISED.
8. Attach Fixture Base (C) to the Mounting Plate (A) and secure with Set Screws (D). Tighten with Allen Wrench (E).
9. Remove Socket Cover (I) from bottom of Fixture base (C) by turning clockwise direction. Attach Fiber Washers (G) and Glass Shade (H) to Fixture Base (C) and secure by replacing another Fiber Washer (G) and Socket Cover (I) to Fixture Base (C). **Note: The top of Glass Shade (H) must be in between of two Fiber Washers (G). Adjust the Location Ring (K) up or down slightly in order to secure the Glass Shade (H) in place.**
10. Insert recommended light bulb (J) into Socket.
11. Restore power to outlet box and check operation of fixture.
12. Assembly is complete.

CARE INSTRUCTIONS

Do not use polishes or cleaners on your lamp. Just wipe clean with a soft cloth.