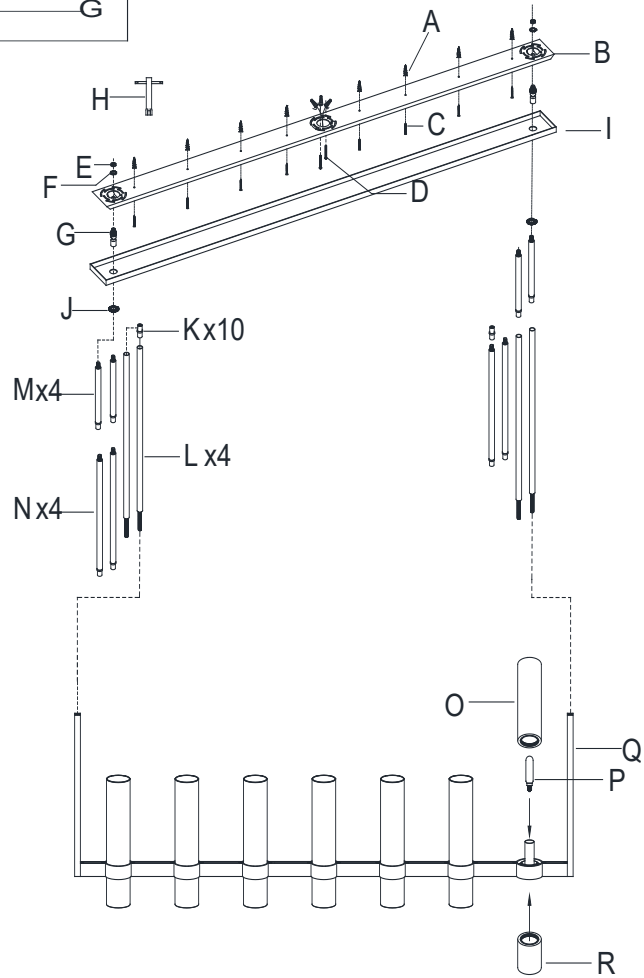
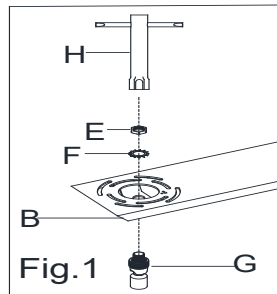


## RAVELLE LINEAR CHANDELIER 71"

### PARTS ENCLOSED

- (A) Metal Anchors (8)
- (B) Mounting Plate (1)
- (C) Wood Screws (8)
- (D) Mounting Screws (2)
- (E) Nuts (2)
- (F) Washers (2)
- (G) Couplings (2)
- (H) T-Wrench (1)
- (I) Canopy (1)
- (J) Canopy Rings (2)
- (K) Connectors (10)
- (L) 18" Connection Rods (4)
- (M) 6" Connection Rods (4)
- (N) 12" Connection Rods (4)
- (O) Glass Shades (9)
- (P) Bulbs (9)
- (Q) Connection Tubes (2)
- (R) Glass Cylinders (9)



## IMPORTANT SAFETY INSTRUCTIONS

INSTALLATION BY A LICENSED ELECTRICIAN IS STRONGLY RECOMMENDED.

This fixture has been rated for up to nine (9) 40-Watt maximum Type T light bulbs (P) (25-Watt light bulb included) or nine (9) 9-Watt compact fluorescent light bulbs (not included). To avoid the risk of fire, do not exceed the recommended wattage.

## WARNINGS

All wires are connected. When unpacking, be careful not to pull wires, as a bad connection may result. Do not connect electricity until your fixture is fully assembled. To reduce the risk of fire, electrical shock, or personal injury, always turn off fixture and allow it to cool prior to replacing the light bulb. Do not touch or look directly at the bulb when fixture is illuminated. Keep flammable materials away from lit bulb.



**WARNING:** This product can expose you to lead, which is known to the State of California to cause cancer and birth defects or other reproductive harm. For more information, go to [www.P65Warnings.ca.gov](http://www.P65Warnings.ca.gov).

THIS IS NOT A TOY AND THE PRODUCT HAS NO PLAY VALUE.



**WARNING: STRANGULATION HAZARD**

Keep cord at least 3 ft away from cribs, bassinets, and toddler beds. Keep out of reach of children under 3.

## ASSEMBLY &amp; INSTALLATION

SHUT OFF THE MAIN ELECTRICAL SUPPLY FROM THE FUSE BOX OR CIRCUIT BREAKER PANEL.

- Carefully remove all parts from the box and remove all plastic covering.
- Remove Canopy (I) from Mounting Plate (B) by removing Canopy Rings (J) on Couplings (G).
- Using the T-Wrench (G), remove Couplings (G) from Mounting Plate (B) by removing Nuts (E) and Washers (F).
- Place Mounting Plate (B) on the ceiling outlet, use it as a template, and mark center points for four mounting holes of Mounting Plate (B) on the ceiling. Remove Mounting Plate (B).
- Drill small holes on the marked location; the holes should be big enough to accommodate with Metal Anchors (A). Push Metal Anchors (A) into the holes.
- Determine the hanging length of chandelier. Connect Connection Tubes (Q) to some or all Connection Rods (L)(M)(N) and Connectors (K) according to the height needed.

## ASSEMBLY &amp; INSTALLATION CONT.

- Slide Canopy Rings (J) and Canopy (I) onto Connection Rods (L) (M) or (N).
- Feed wires through the Connection Rods and Couplings (G). Slide wires through the light fixture from the side holes on Mounting Plate (B); wires will exit from the center hole of Mounting Plate (B).
- Screw the Couplings (G) on top of the inner rod of Connection Rods (M) (N) or (L).
- Attach the Couplings (G) to Mounting Plate (B), letting the top nipple pass through the holes on Mounting Plate (B). Secure by replacing Washers (F) and Nuts (E). Tighten with T-Wrench (H). See Fig.1.
- Carefully hold the light fixture and affix Mounting Plate (B) with whole light fixture to ceiling outlet box. Insert Mounting Screws (D) into ceiling outlet and Wood Screws (C) to Metal Anchors (A) to secure Mounting Plate (B) to the ceiling.
- Gently pull the wire from ceiling outlet box and allow the wire to hang. Thread the wire through the center hole of Mounting Plate (B).
- Carefully inspect the chandelier's two fixture wires. One has very fine ridges molded into the plastic covering – this is the neutral wire. The second wire's covering is smooth – this is the hot wire. The bare wire is the ground wire.
- Connect the ground wire from the fixture with the ground wire (usually bare) from your ceiling box using a wire nut. If your house does not have a ground wire, then attach the ground wire from the fixture to the green grounding screw inside of the outlet box. **IT IS IMPERATIVE THAT THE OUTLET BOX IN YOUR HOME BE PROPERLY GROUNDED.**
- Connect the neutral wire from your fixture with the neutral wire (usually white) from your ceiling box using a wire nut.
- Connect the hot wire from your fixture with the hot wire (usually black) from your outlet box using a wire nut. **DO NOT REVERSE THE HOT AND NEUTRAL CONNECTIONS; OTHERWISE, SAFETY WILL BE COMPROMISED.**
- Raise Canopy (I) to the affixed Mounting Plate (B) and secure with Canopy Rings (J).
- Insert Bulbs (P) into the sockets.
- Thread Glass Shades (O) onto top of shade holders of light fixture and thread Glass Cylinders (R) onto bottom of shade holders of light fixture.
- Restore power to outlet box and check operation of fixture. Assembly is complete.

## CARE INSTRUCTIONS

Do not use polishes or cleaners on your lamp. Just wipe clean with a soft cloth.

## SAFETY CABLE ASSEMBLY

1. Remove Hex Nut from Cable Lock Nut and pull Cable Lock Nut from Safety Cable.
2. Join fixture safety cable with safety cable from ceiling and wrap both safety cables around the cable lock nut.
3. Secure by tightening both hex nuts until tight.

