

RESTORATION HARDWARE

Thank you for purchasing Restoration Hardware Lighting. Our assortment is crafted with the highest quality details in mind and each collection is clad in one of our signature finish options. Each item's surface is sealed which eliminates the need for polishing and ensures the lasting brilliance of your piece for years to come.

PARTS ENCLOSED:

- (A) Lamp Base (1) (G) Clear Plastic Bumpers (4)
(B) Saddle (1)
(C) Harp (1) □
(D) Finial Screw Plate □
(E) Risers
 - (2) Risers 1/2" □
 - (1) Riser 1" □
(F) Finial (1) □

IMPORTANT SAFETY INSTRUCTIONS:

For safety purposes, this lamp is equipped with a polarized plug (one blade is wider than the other). If the plug does not fit securely into your outlet, do not force it - contact a professional electrician. Use the plug with an extension cord only if it can be fully inserted into the cord's socket. Never alter the plug in any way.

This fixture has been rated for up to (1) 100-watt 3-way maximum TYPE A standard bulb. To avoid the risk of fire, do not exceed the recommended wattage.

SAXON ACCENT LAMP

WARNINGS:

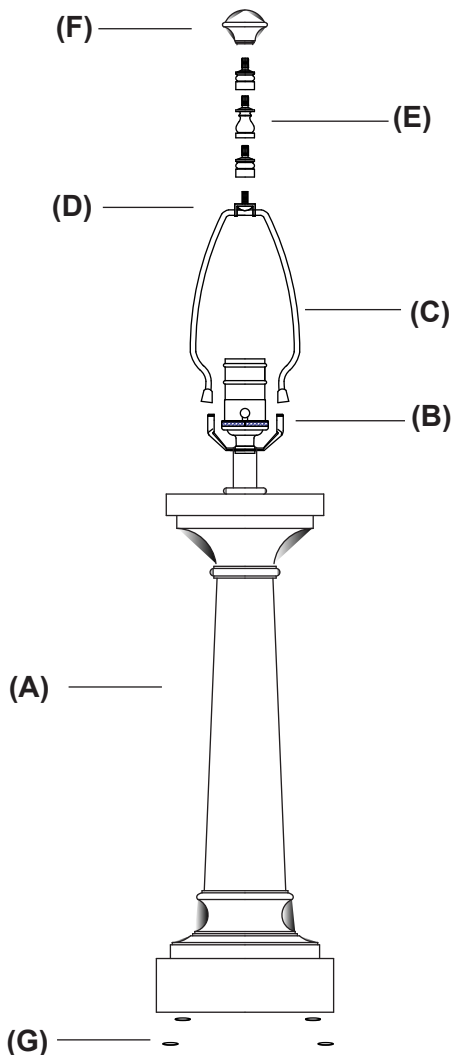
All wires are connected. When unpacking, be careful not to pull wires as a bad connection may result. Do not connect electricity until your lamp is fully assembled.

To reduce the risk of fire, electrical shock, or personal injury, always turn off and unplug lamp and allow it to cool prior to replacing light bulb.

Do not touch bulb when fixture is turned on or look directly at lit bulb.

Keep flammable materials away from lit bulb.

DO NOT REMOVE THE CARDBOARD INSULATOR SURROUNDING THE SOCKET.



TO ASSEMBLE:

1. Carefully remove all parts from the box and remove all plastic covering.
2. Insert Harp (C) into the Saddle (B).
3. Insert bulb (not included) into threaded socket.
4. Shade Risers (E) can be used to increase the height of harp and raise the lampshade for proper fitting. At eye level, the shade should sit just below the Saddle (B) and above the top of the lamp base.
5. Unscrew the Finial (F) from the Finial Screw Plate (D) and place the desired shade (sold separately) over the harp.
6. Attach the finial and tighten to secure the shade.
7. Plug into proper electrical outlet and test fixture.
8. Assembly is complete.

CARE INSTRUCTIONS:

Do not use polishes or cleaners on your lamp.
JUST WIPE CLEAN WITH SOFT CLOTH.

□