

RESTORATION HARDWARE

PARK CONSOLE SINK ASSEMBLY INSTRUCTIONS

Before You Begin:

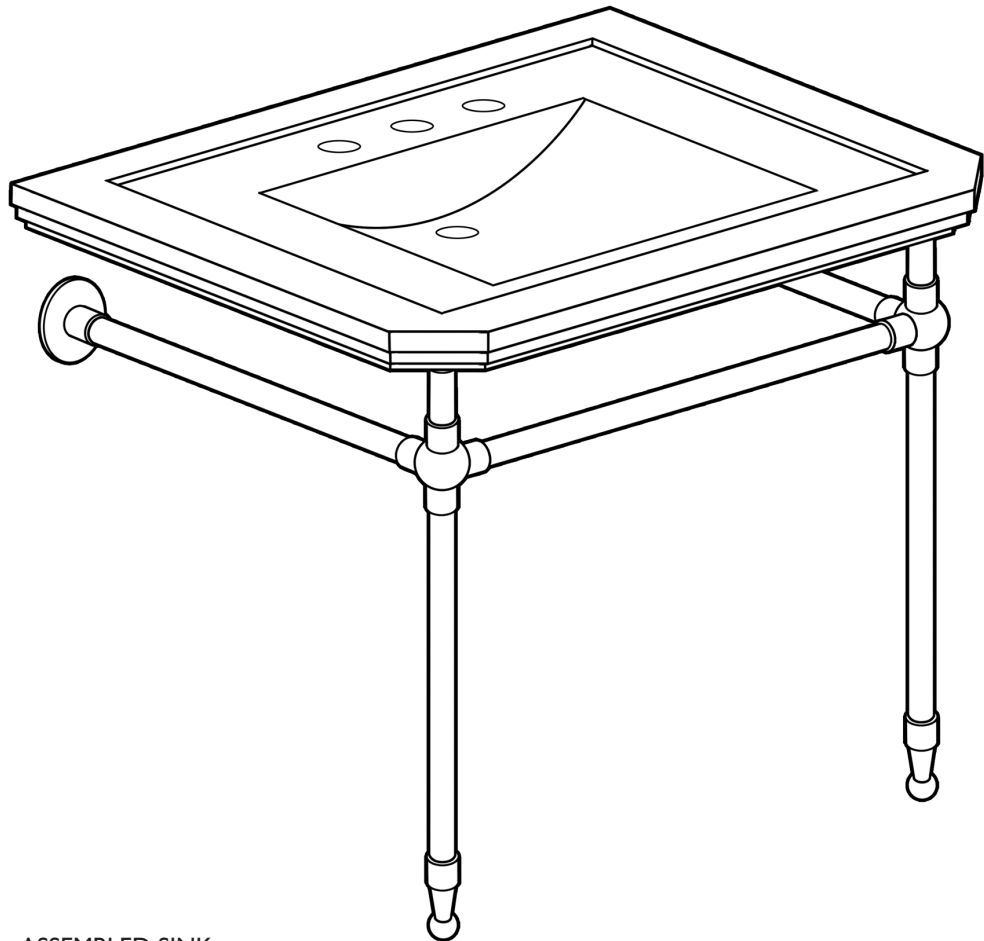
Professional installation by two-person crew is required for this fixture. Install water supply and drain piping according to local plumbing and building codes. Ensure that wall and floor are square and plumb at site of installation. Drywall anchors are provided for mounting this console. If site requires mounting on a surface other than drywall, suitable fastening devices must be provided. Optional metal foot pins included in hardware packet may be recessed into the finished floor for increased stability of the fixture.

Warning:

Do not over-tighten parts during assembly. Make final adjustment of set screws after installation.

Tools and Materials Required:

1. Flat, nonabrasive work surface such as a blanket or smooth cardboard
2. Carpenter's level
3. Phillips head screwdriver
4. Drill
5. Pencil
6. Hammer
7. Sealant
8. Wrench



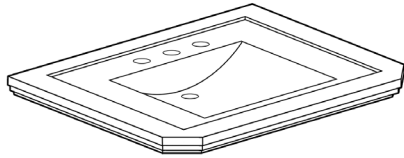
ASSEMBLED SINK

RESTORATION HARDWARE

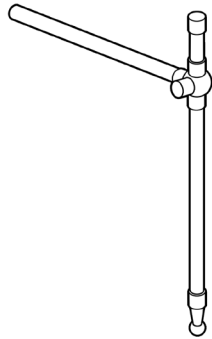
PARK CONSOLE SINK ASSEMBLY INSTRUCTIONS

Parts List, Large Items

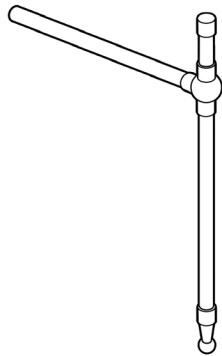
A. Lavatory basin



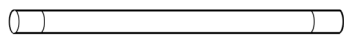
B. Right side assembly



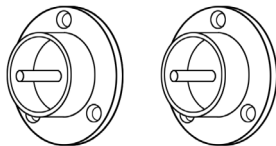
C. Left side assembly



D. Center bar



E. Wall flanges (x2)



Parts List, Small Items

F. Allen wrench



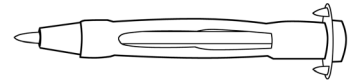
G. 3/16" Rubber pad (x2)



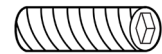
H. 1/4" Rubber pad (x2)



I. Drywall anchors (x6)



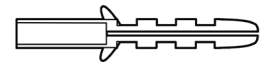
J. Set screw (x8)



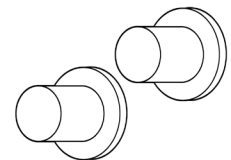
K. Threaded bolt (x2)



L. Plastic anchor (x2)



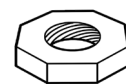
M. Plastic cushion (x2)



N. Metal washer (x2)



O. Nut (x2)



P. Foot pins (x2)

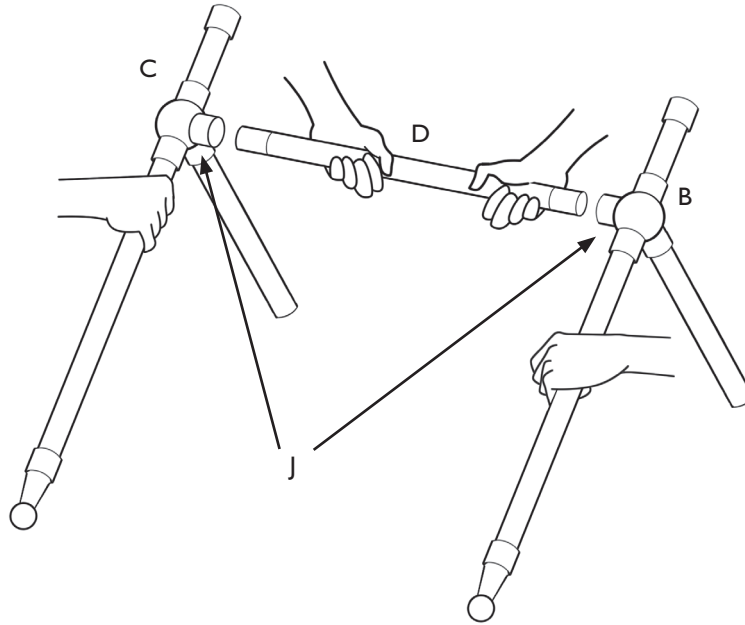


RESTORATION HARDWARE

PARK CONSOLE SINK ASSEMBLY INSTRUCTIONS

Assembly Instructions:

1. **Two people are required for this step.** Work on a large, nonabrasive work surface with one person holding the right side leg assembly (B) and the other holding the left side leg assembly (C). Carefully position the center bar (D) in the collar opening of the round knuckle on each side. (See illustration.) Using Allen wrench (F), adjust set screws (J) in collar openings on each side to secure the center bar. **(Do not over-tighten the set screws at this point. Tighten them only enough to hold the rod in place. Set screws can be adjusted further after console is fully installed.)**

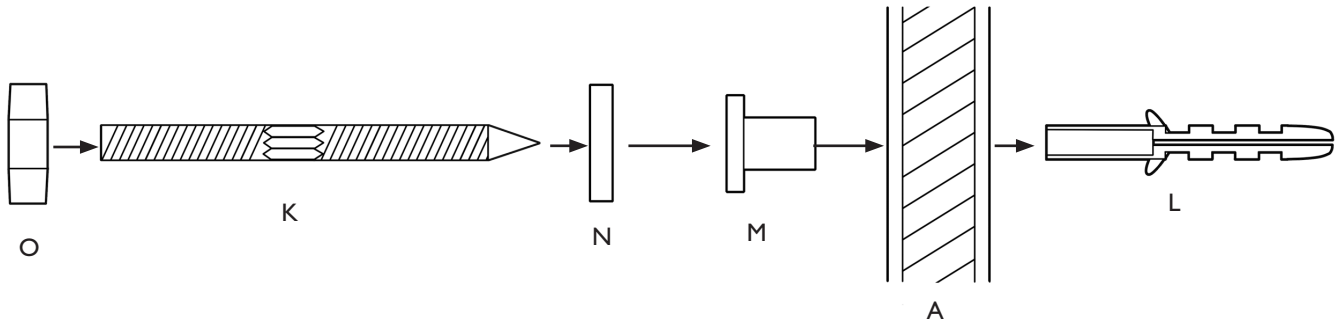


2. With one person on either side of assembled console, carefully position console upright in the position where it will be mounted. Position wall flanges (E) on each side of the assembly, but leave them unattached. Using a carpenter's level, ensure that each leg is vertical.
3. Using a pencil, mark position of wall flange screw holes on wall. If metal foot pins are to be used be sure **not** to install them at this time as they will cause the markings to be too high.
4. If you wish to anchor the console legs into the floor using the optional metal foot pins (P), screw them into the feet of the assembled console now, and mark the position on the floor where the pins will be inserted. If you do not wish to recess foot pins into the finished floor, proceed to step 5.
5. **Two people are required for this step.** Carefully place assembled console aside.
6. If you wish to recess metal foot pins into floor, drill holes (1/4" diameter x 7/16" deep) where marked to receive foot pins. Otherwise disregard this step and proceed to step 7.
7. Where marked, mount wall flanges to wall with drywall anchors (I).

RESTORATION HARDWARE

PARK CONSOLE SINK ASSEMBLY INSTRUCTIONS

8. With two people maneuvering the assembled console, place it carefully in its final position with the side assembly rods placed in the mounted wall flanges. If metal foot pins are used, they should be recessed into holes in floor.
9. One person should now hold the console in place while the other person tightens the Allen head set screws of the two wall flanges. **(Do not over-tighten the set screws.)**
10. Place one 3/16" rubber pad (G) on the two top surfaces of the console legs.
11. Using two people, lift lavatory basin (A), carefully place it in position on top of console. If basin needs slight leveling adjustment, substitute 1/4" pads (H) as necessary to stabilize. The metal cap on top of each upright supports can also be rotated to level the counter surface.
12. **Two people are required for this step.** Using a pencil, mark position of basin mounting screw holes on wall.
13. Remove the lavatory basin from console base and carefully place on a flat, non-abrasive work surface.
14. Drill 7/16" holes and insert the plastic anchors (L). Insert threaded bolts (K) so that at least 1/2" of threads stick out past the holes in the underside of basin.
15. Set the lavatory basin on top of the console flat against the wall making sure that the threaded bolts slide through the mounting holes on back of basin, put a plastic cushion (M) with metal washer (N) onto each of the threaded bolts. Thread the nuts (O) loosely against the basin (A). (See Illustration).

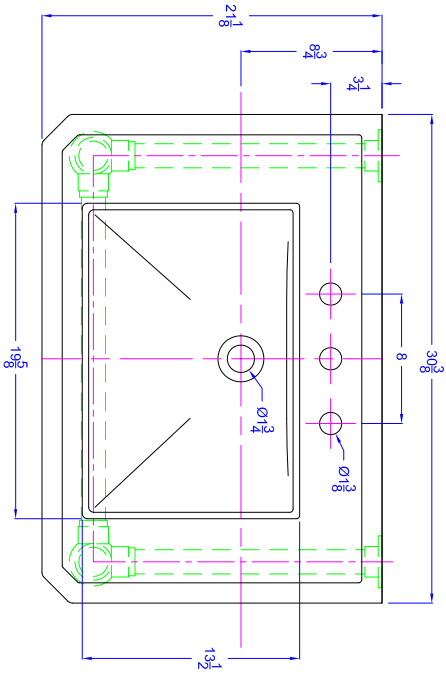


16. Examine the alignment of the lavatory basin to the wall and check to make sure it is centered. The elliptical holes in the china allow for some shifting. Check to make sure that the basin is level.
17. Tighten the nuts alternately until the lavatory basin is flush with the wall. **(Do not over-tighten as this may crack the vitreous ceramic with a porcelain enameled finish).**

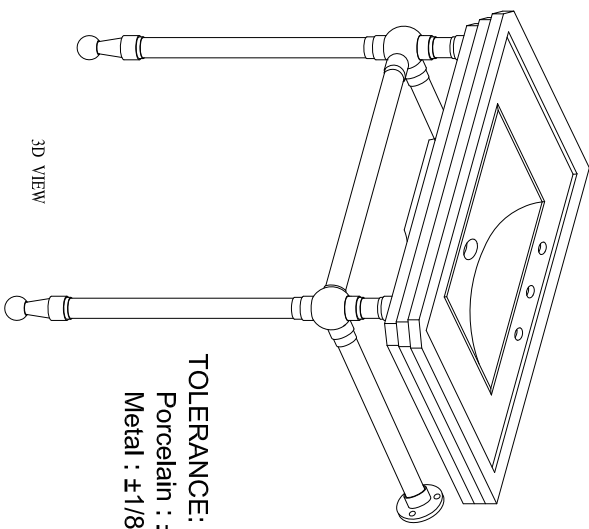
Cleaning and Maintenance Instructions:

Avoid abrasive and harsh chemical cleaners.

To maintain and protect luster of console sink components, Restoration Hardware Bathroom Cleaning Products are recommended.

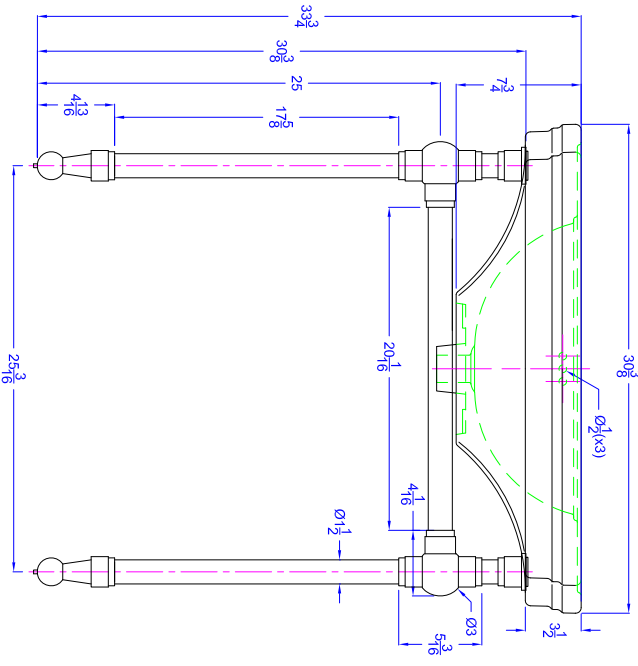


TOP VIEW

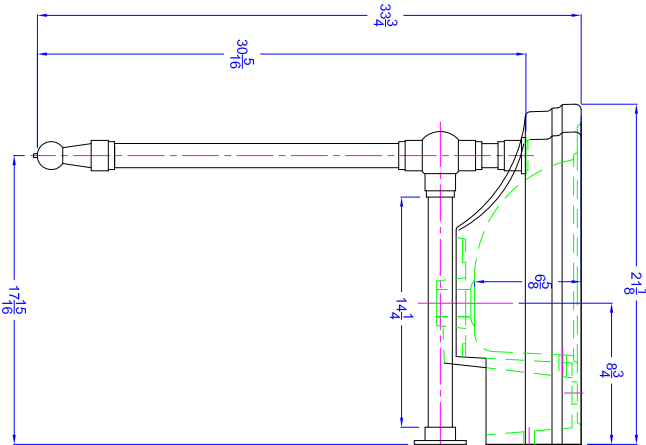


3D VIEW

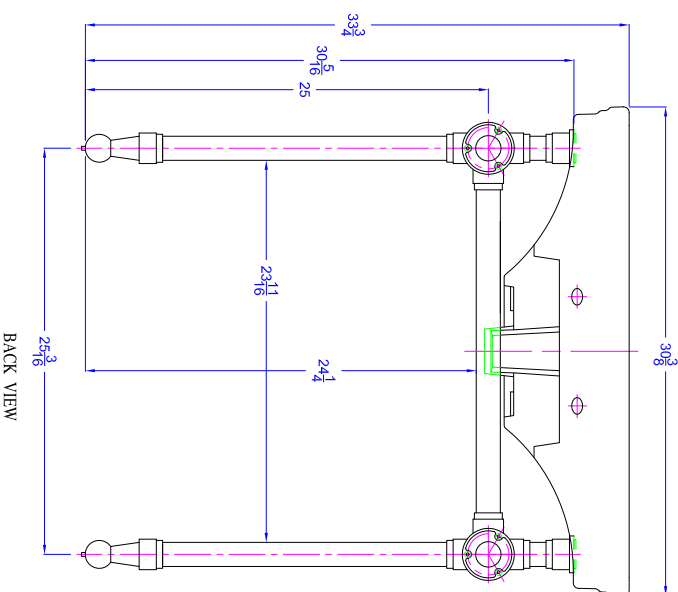
TOLERANCE:
 Porcelain : ± 3%
 Metal : ± 1/8"



FRONT VIEW



SIDE VIEW

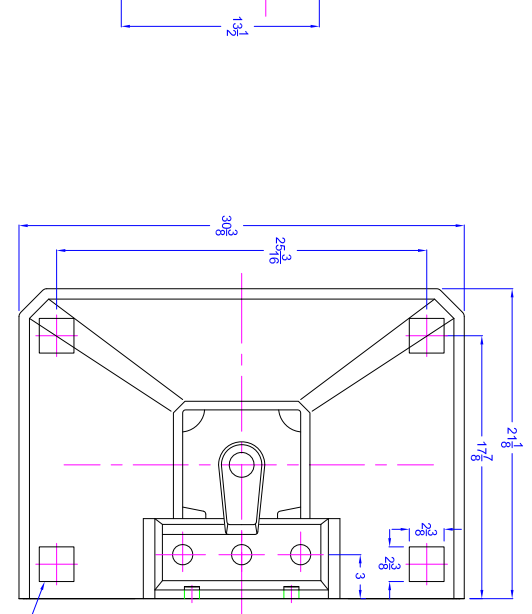
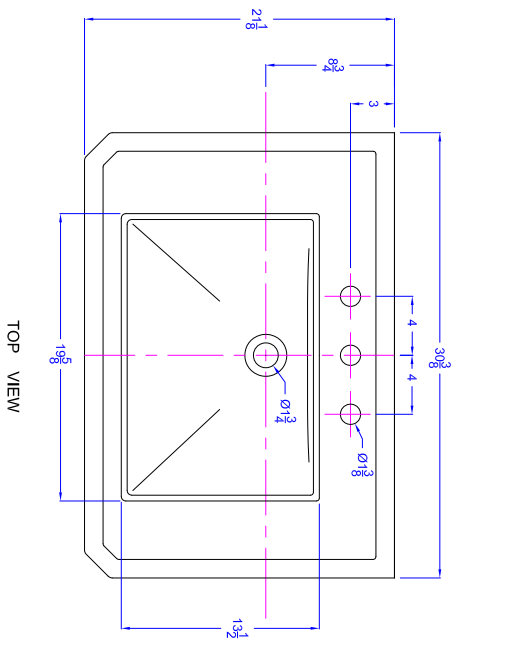


BACK VIEW

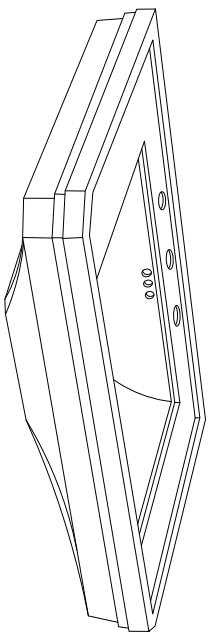
PARK CONSOLE SINK WITH ROUND LEG

DRAWINGS REPRESENT ORIGINAL DESIGN SPECIFICATIONS. ACTUAL PRODUCT DIMENSIONS MAY VARY SLIGHTLY.
 ALL DIMENSIONS ARE REPRESENTED IN INCHES.
 PROFESSIONAL INSTALLATION REQUIRED

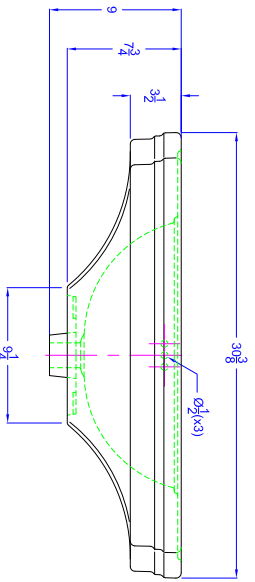
Unless otherwise noted, all design and content, images, artwork, graphics, photography, text, and the like are copyrights, trademarks, trade dress, and/or intellectual property that are owned, controlled, or licensed by Restoration Hardware.
RESTORATION HARDWARE



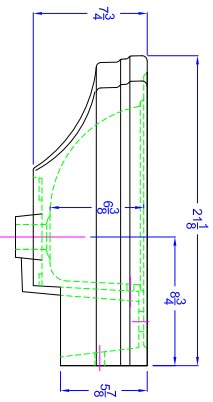
INDICATES PLAT MOUNT PLACES APPROXIMATE MOUNT DEPTH



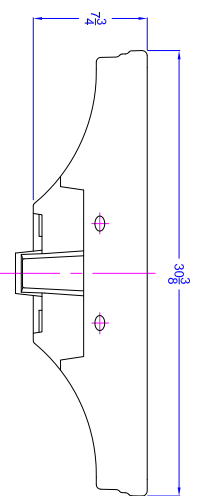
3D VIEW



FRONT VIEW



SIDE VIEW



BACK VIEW

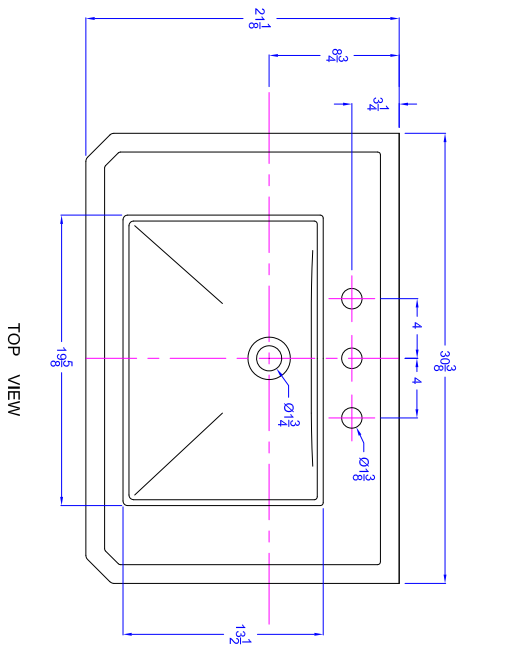
TOLERANCE: ±.3%

PARK CONSOLE SINK WITH ROUND LEG

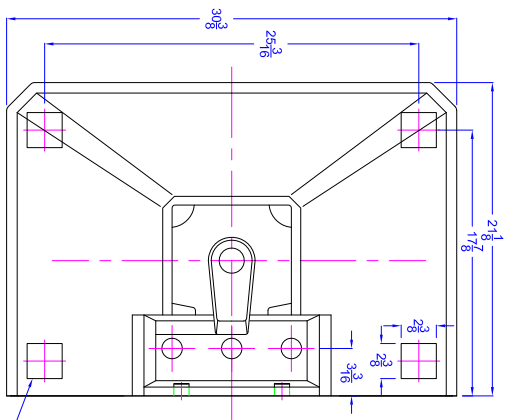
DRAWINGS REPRESENT ORIGINAL DESIGN SPECIFICATIONS. ACTUAL PRODUCT DIMENSIONS MAY VARY SLIGHTLY.
 ALL DIMENSIONS ARE REPRESENTED IN INCHES.
 PROFESSIONAL INSTALLATION REQUIRED

RESTORATION HARDWARE

Unless otherwise noted, all design and content, images, artwork, graphics, photography, text, and the like are copyrights, trademarks, trade dress, and/or intellectual property that are owned, controlled, or licensed by Restoration Hardware.

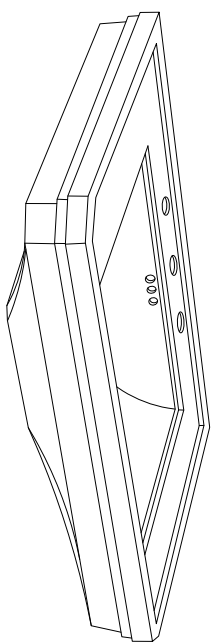


TOP VIEW

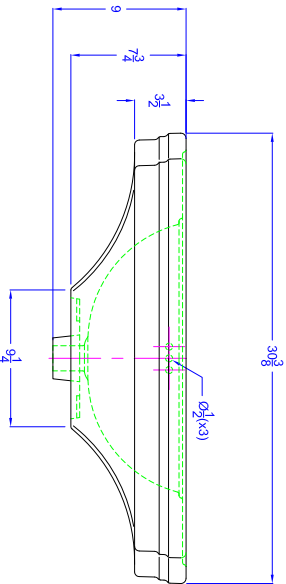


BOTTOM VIEW

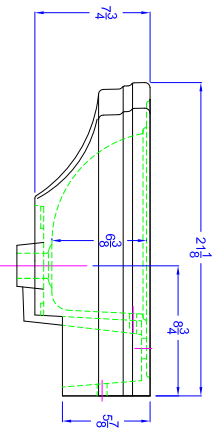
INDICATES FLAT AREA PLACES PROFESSIONAL INSTALLATION



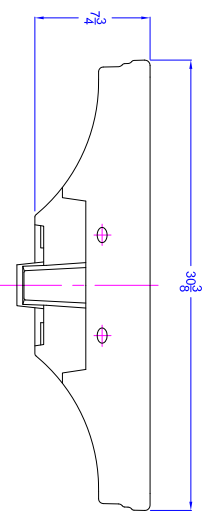
3D VIEW



FRONT VIEW



SIDE VIEW



BACK VIEW

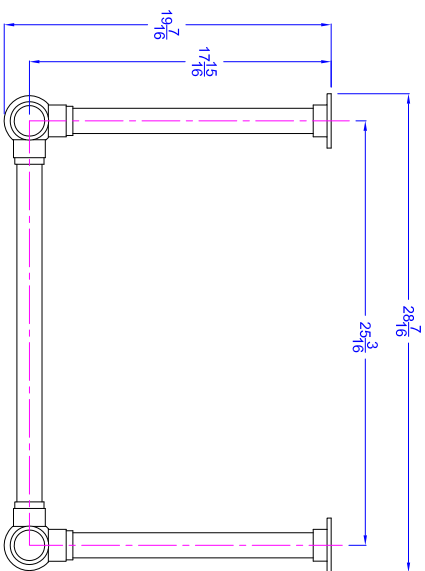
TOLERANCE: ±3%

PARK CONSOLE SINK WITH ROUND LEG

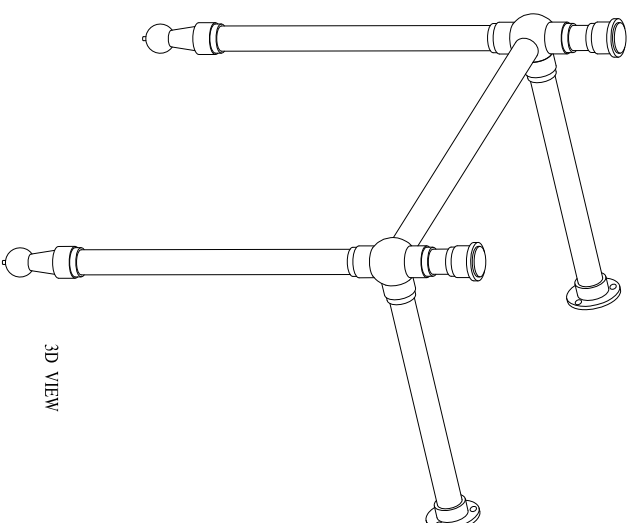
DRAWINGS REPRESENT ORIGINAL DESIGN SPECIFICATIONS. ACTUAL PRODUCT DIMENSIONS MAY VARY SLIGHTLY. ALL DIMENSIONS ARE REPRESENTED IN INCHES. PROFESSIONAL INSTALLATION REQUIRED

RESTORATION HARDWARE

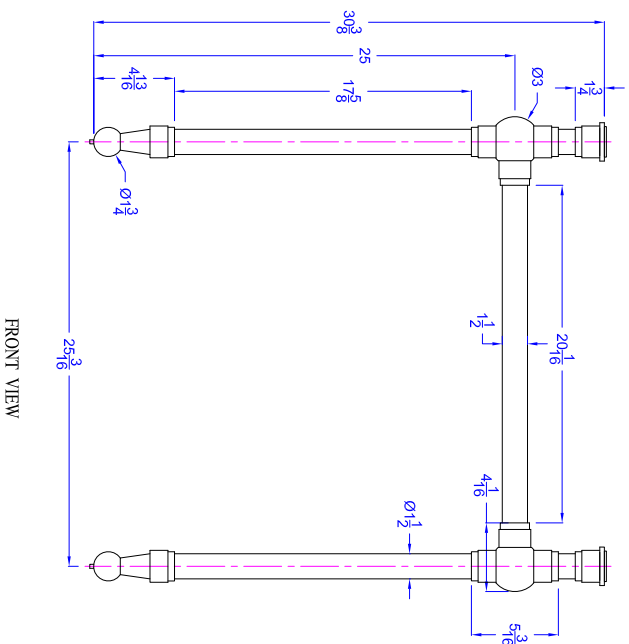
Unless otherwise noted, all design and content, images, artwork, graphics, photography, text, and the like are copyrights, trademarks, trade dress, and/or intellectual property that are owned, controlled, or licensed by Restoration Hardware.



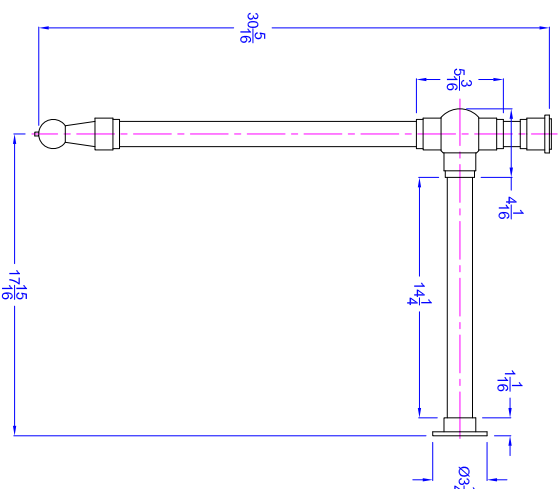
TOP VIEW



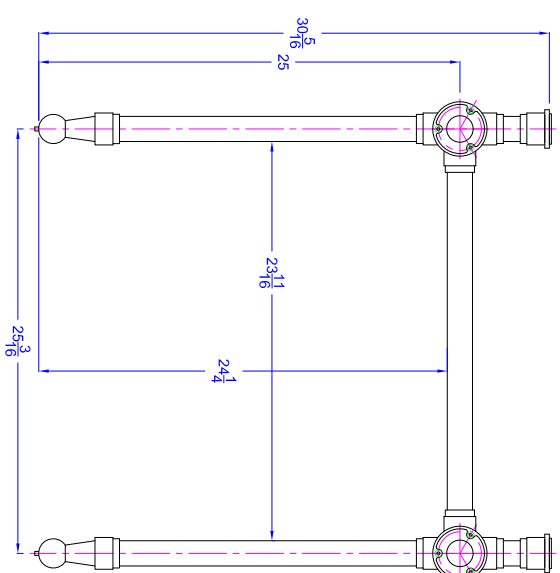
3D VIEW



FRONT VIEW



SIDE VIEW



BACK VIEW

PARK CONSOLE SINK WITH ROUND LEG

DRAWINGS REPRESENT ORIGINAL DESIGN SPECIFICATIONS. ACTUAL PRODUCT DIMENSIONS MAY VARY SLIGHTLY.

ALL DIMENSIONS ARE REPRESENTED IN INCHES.

PROFESSIONAL INSTALLATION REQUIRED

RESTORATION HARDWARE

Unless otherwise noted, all design and content, images, artwork, graphics, photography, text, and the like are copyrights, trademarks, trade dress, and/or intellectual property that are owned, controlled, or licensed by Restoration Hardware.