

RESTORATION HARDWARE

DAKOTA SWING ARM INSTALLATION INSTRUCTIONS

TOOLS REQUIRED FOR INSTALLATION (NOT PROVIDED)

Installing on Wood Molding or Wood Studs,

-Screw driver, level, tape measurer, pencil, power drill, and 1/4"(6.5mm) drill bit.

Installing on Wallboard.

-Screw driver, level, tape measurer, pencil, power drill, molley bolt screws or self-drilling anchors.

Installing in Concrete, Stone, Brick or Tile.

-Screw driver, level, tape measurer, pencil, masonry drill, appropriate anchors, plugs or screws.

Installing on Drywall

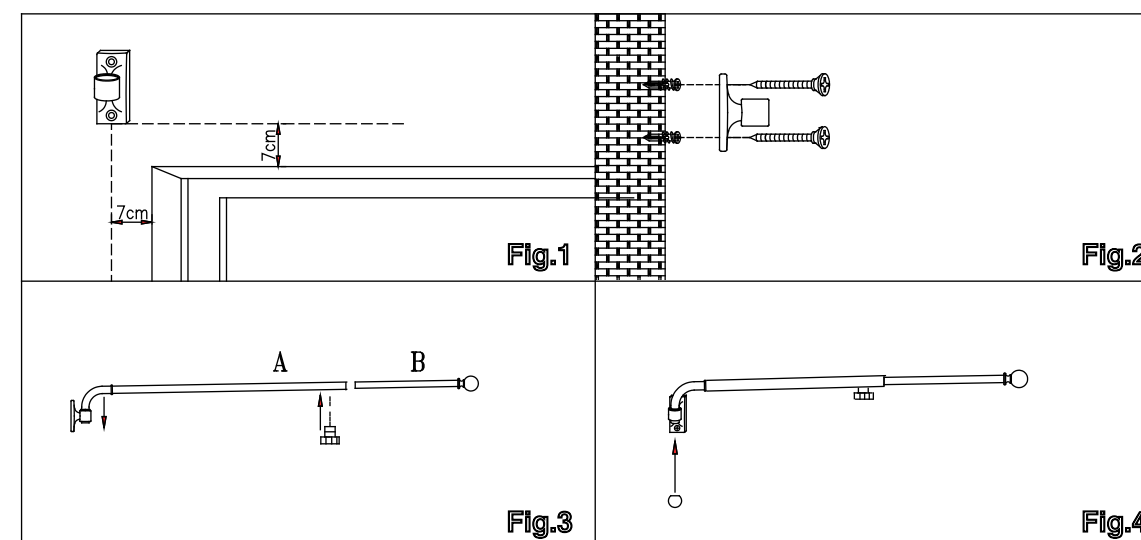
-Installation instructions included with the anchor in separate hardware pack.

GETTING STARTED

- Remove hardware from the packaging.
- Do not dispose of packaging until the installation has been completed to your satisfaction.
- Read through the instructions entirely before starting.
- Make certain parts indicated on packaging are present, 2 screws and 2 anchors.
- Make certain all tools and all necessary supplementary hardware are on hand before starting.

ASSEMBLY INSTALLATION

1. Determine the appropriate location for the swing arm. It is recommended that the bracket be installed a minimum of 2.5(7cm) above and beyond the window. (see Fig 1)
The height of the swing arm should be calculated by:
 - A. Measuring the length of the drapery panel.
 - B. Considering use of rings or rod pocket.
 - C. Deciding if you want excess drapery panel on the floor, hem of drapery touching the floor, or hem hanging slightly above the floor.
2. Mark the appropriate location of the bracket with a pencil. Pre-drill the screw holes using a 1/4"(6.5mm) drill bit. Mount the enclosed anchor into the hole (see anchor installation instructions for details). Placing the bracket at the location where you have screw in the anchor. Screw the enclosed screws into the anchor until tight. (see Fig 2)
3. Take part B and slide it into rod opening of part A. Adjust the combined rods to the desired length. Set that length by tightening the screw set on the rod of part A. (see Fig 3)
4. If you are not using drapery rings. Put the swing arm rod through the rod pocket of the drapery. Then drop the bent end of the swing arm into the bracket. If you are using drapery rings. Feed the drapery rings onto the rod, and then drop the bent end of the swing arm into the bracket. (see Fig 3)
5. Once the rod is in the bracket, screw the ball into the base of the rod under the bracket. (see Fig 4)



IMPORTANT: It is highly recommended that the bracket be attached to a structural wood support, such as molding around the window, or wooden studs within the walls. The enclosed screws are designed for that purpose. If the studs within the wall are metal, one must pre-drill into the metal stud and use sheet metal screws.