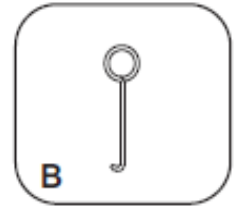
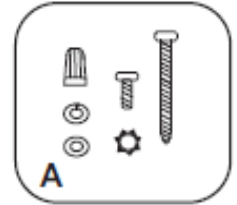
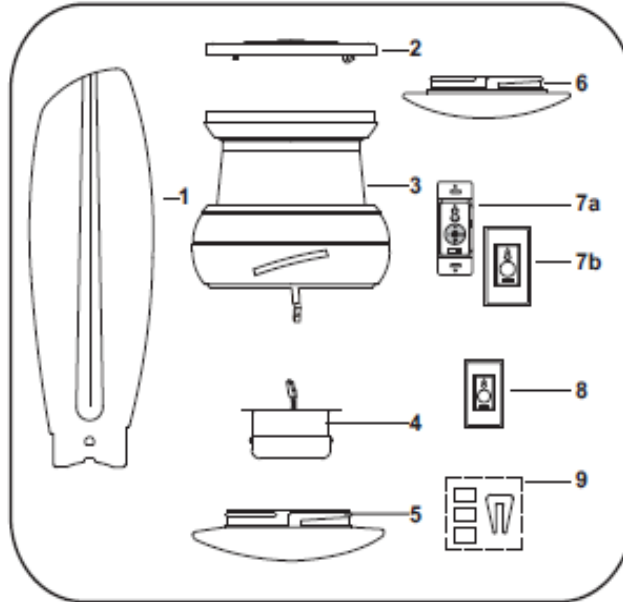


RH

CONCEPT FLUSHMOUNT LED CEILING FAN - 52"

PARTS ENCLOSED:

1. Fan blades (3)
 2. Mounting bracket
 3. Fan motor/housing ass'y
 4. 14W LED light kit
 5. Glass shade
 6. Metal light cover (optional)
 7. Wall transmitter incl. 2 mounting screws and 3 wire nuts
 - 7a. Wall plate w/2 mounting screws
 - 7b. Extra wall plate w/2 mounting screws
 8. Balancing kit
 9. Balancing kit
- a. Mounting hardware:
#10 x 1.5" Wood screws (2 pcs.)
#8 x 3/4" Machine screws (2 pcs.)
Lock washers (2 pcs.)
Washers (2 pcs.)
- b. Blade removal tool



CONCEPT FLUSHMOUNT LED CEILING FAN - 52"

IMPORTANT SAFETY INSTRUCTIONS:

Before you begin installing the fan, shut power off at the circuit breaker of the fuse box. Be cautious! Read all instructions and safety information before installing your new fan. Review accompanying assembly diagrams. Make sure that all electrical connections comply with local codes, ordinances, or National Electrical Codes. Hire a qualified electrician or consult a do-it-yourself wiring handbook if you are unfamiliar with installing electrical wiring. Make sure the installation site you choose allows the fan blades to rotate without any obstructions. Allow a minimum clearance of 7 feet from the floor and 18 inches from the tip of the blades to the wall. If you are mounting the fan to a ceiling fan outlet box, use a U.L. Listed metal octagonal outlet box marked "Acceptable for Fan Support". Secure the box directly to the building structure. The outlet box and its support must be able to support the moving weight of the fan (at least 50 pounds). Do not use a plastic box. Caution: To reduce the risk of injury use only the screws provided with the outlet box in conjunction with the lock washers provided with the fan. If you are mounting the fan to a joist, make sure it is able to support the moving weight of the fan (at least 50 pounds). After you install the fan, make sure that all mounting components are secured to prevent the fan from falling. Do not insert anything into the fan blades while the fan is operating. Turn the fan off and wait for the blades to stop completely before proceeding with maintenance or cleaning.

WARNINGS:

TO REDUCE THE RISK OF FIRE, ELECTRIC SHOCK OR OTHER PERSONAL INJURY, MOUNT FAN ONLY TO A U.L. LISTED OUTLET BOX OR SUPPORTING SYSTEM MARKED ACCEPTABLE FOR FAN SUPPORT AND USE MOUNTING SCREWS PROVIDED WITH THE OUTLET BOX IN CONJUNCTION WITH THE LOCK WASHERS PROVIDED WITH THE FAN. MOST OUTLET BOXES COMMONLY USED FOR FAN SUPPORT OF LIGHTING FIXTURES ARE NOT ACCEPTABLE FOR FAN SUPPORT AND NEED TO BE REPLACED. CONSULT A QUALIFIED ELECTRICIAN IF IN DOUBT. TO REDUCE THE RISK OF PERSONAL INJURY. DO NOT BEND THE BLADE HOLDERS WHILE INSTALLING, BALANCING THE BLADES, OR CLEANING THE FAN. DO NOT INSERT FOREIGN OBJECTS BETWEEN ROTATING FAN BLADES. TO REDUCE THE RISK OF FIRE OR ELECTRONIC SHOCK, THIS FAN ONLY CAN USE CFR-3T SOLID-STATE SPEED CONTROL WITH TR111A-1 WALL CONTROL ONLY.

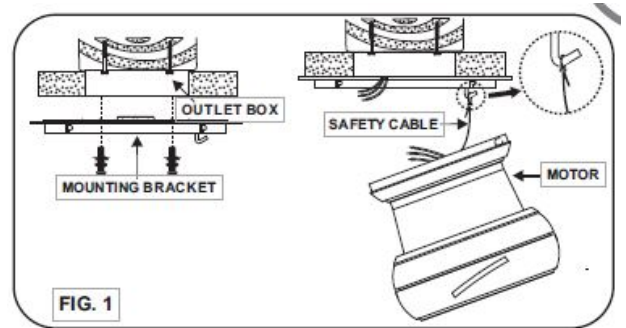
ASSEMBLY & INSTALLATION:**INSTALLING THE MOUNTING BRACKET**

Tools Required: Phillips screw driver; slotted screw driver; step-ladder; wire cutters; electrical tape.

WARNING: All of the parts, hardware, and components have been provided for your safety and the proper installation of your new ceiling fan. The use of other parts, hardware, or components not supplied by Minka Aire® with the fan will void the Minka Aire® Warranty. **REMEMBER** to turn off the power. Follow the steps below to hang your fan properly:

Step 1. Attach the mounting bracket to the outlet box with two screws provided with your outlet box. Make sure the bracket is firmly secured. (Fig. 1)

Step 2. Lift fan into position by secure the safety cable onto the hook from the ceiling mounting bracket. (Fig. 1)

**ELECTRICAL CONNECTIONS**

WARNING: To avoid possible electrical shock be sure electricity is turned off at the main fuse or breaker box before wiring. **NOTE:** The Aire Control® System is equipped with a learning frequency function which has 256 code combinations to prevent potential interference from other remote units. The frequency on your Receiver and Transmitter units have been preset at the factory. (Fig. 2) No frequency change is necessary. Should you desire to install another fan within the same home or area with a separate frequency code, please see the "frequency interference" troubleshooting section of this instruction manual to learn how to change the frequency. **Caution!** The dip switches on the receiving unit are covered with a rubber cover. Remove the rubber cover and then have it replaced after making any changes to the dip switches.

Step 1. Connect the fan supply (black) wire to the black household supply wire as shown in Figure 3 & 4.

Step 2. Connect the neutral fan (white) wire to the white neutral household wire.

Step 3. Connect the fan ground wire (green) to the household ground wire.

Step 4. After all splices are made, check to make sure there are no loose strands. As an additional precaution, we suggest to secure the plastic wire connectors to the wires with electrical tape.

CONCEPT FLUSHMOUNT LED CEILING FAN - 52"

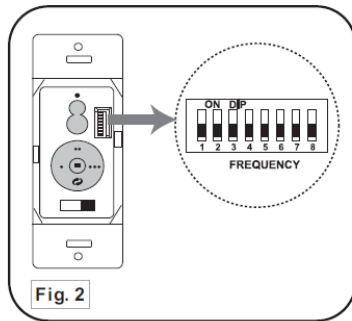


Fig. 2

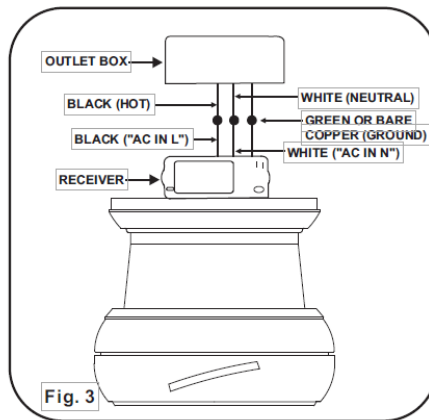


Fig. 3

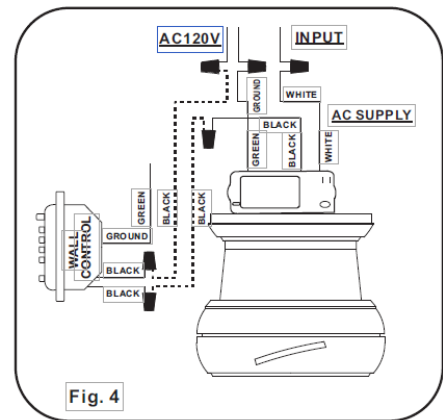


Fig. 4

INSTALLING THE WALL TRANSMITTER

WARNING! HOOK UP "IN SERIES" ONLY. DO NOT CONNECT NEUTRAL SUPPLY WIRE OF ELECTRIC CIRCUIT TO THE TRANSMITTER WALL SWITCH; DAMAGE TO THE TRANSMITTER WALL SWITCH AND POSSIBLE FIRE COULD OCCUR.

Step 1. Remove the existing wall plate and switch from the wall outlet box.

Step 2. Make the electrical connections as shown in Fig.4. If your outlet box has a ground wire (Green or Bare Copper), connect the Transmitter's ground wire directly to one of the screws from the outlet box. Secure all wire connections with the plastic wire nuts provided.

Step 3. Carefully tuck the wire connections inside the outlet box. Use the screws provided to secure the wall transmitter and wall plate to the outlet box. (Fig. 5)

NOTE: Your Aire Control™ System includes two sets of face and decorative plate color options. The wall control comes with standard white faceplate attached. If you desire to replace it with the Ivory color faceplate included, use a small flat screw driver and gently pry it apart from the top or bottom of the plate.

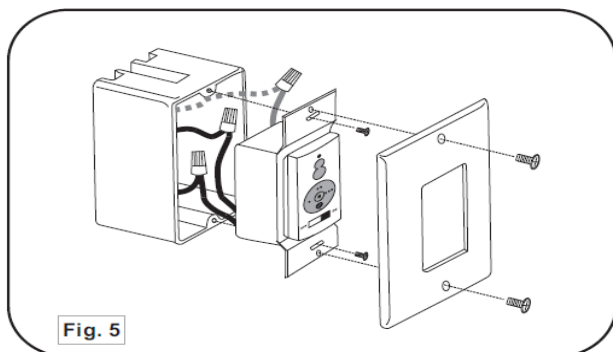


Fig. 5

FINISHING THE INSTALLATION

Step 1. Remove the four plastic plugs from top of the fan body.

Step 2. Loosen two of the four screws from the mounting bracket and remove the other two.

Step 3. Install the motor assembly to the mounting bracket and engage the key holes to the two screws previously loosened.

Step 4. Install the two screws previously removed and tighten all four screws. Step 5. Re-install the plastic plugs previously removed.

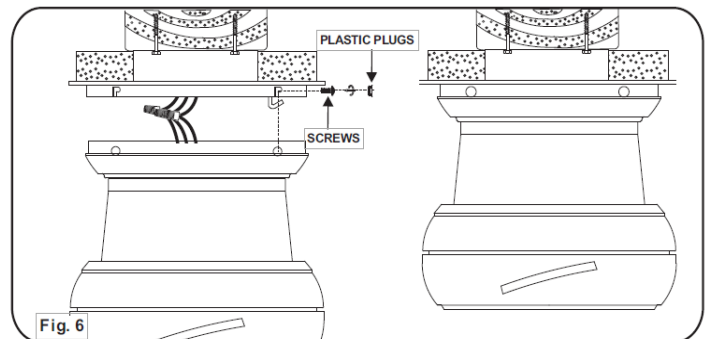


Fig. 6

BLADE INSTALLATION

Step 1. Insert the blades into the motor housing blade slots, push blade until it stops. You should be able to hear the inside safety pin drop into the blade hole to secure the blade in place. (Fig. 7)

CAUTION: Re-check each blade to make sure all blades are secured to the locking mechanism by holding the blade from the tip and gently pulling it outwards. The blades should be snug to the motor housing without any up, down, or sideways play.

All blade sets are grouped by weight. Because plastic injection varies in density, the fan may wobble even though the blades are weight matched. **BLADE REMOVAL**

In the event that the blades need to be removed, use the blade removal tool included with your fan. Remove the two screws, washers and rubber covers from the motor housing. Remove the blades by pulling the safety pin via the opening above the blade in the motor housing as shown.

IMPORTANT! Make sure to replace the rubber covers and screws. (Fig. 8)

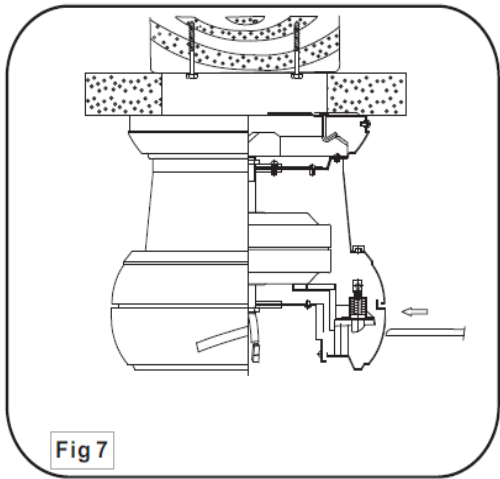


Fig 7

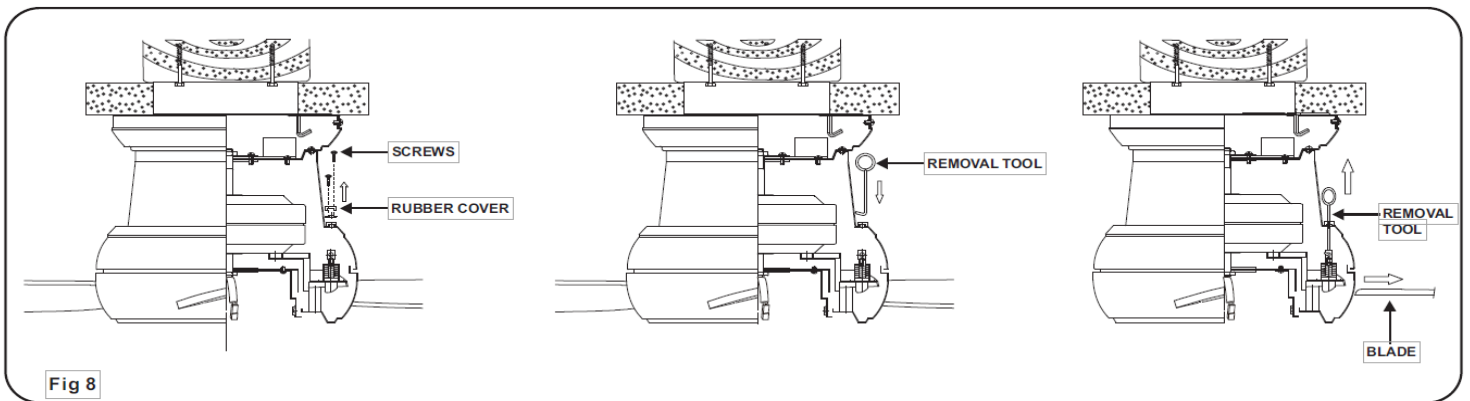


Fig 8

INSTALLING THE LED LIGHT KIT & GLASS SHADE

CAUTION: Before starting installation, make sure power is turned off at the circuit breaker. If you do not plan to install the light kit with your fan at this time, skip step 1, 2 & 3.

1. Remove 1 of 3 screws from the mounting plate and loosen the other 2 screws. (Do not remove.)
2. While holding the LED light kit under the fan motor assembly, make the 2-pin wire connections:
--White to white --Black to black
3. Place the key holes in the LED light kit over the two mounting screws previously loosened from the mounting plate. Turn the LED light kit until the LED light kit locks in place at the narrow section of the key holes. Secure by tightening the two screws previously loosened and the one previously removed. (Fig. 9)
4. Raise the glass shade (or metal light cover) up against the mounting plate and secure it to the fan by turning the glass shade clockwise until snug. **DO NOT OVERTIGHTEN.** (Fig. 9)

NOTE: The metal light cover included with your fan is an option to replace the glass for the light in the event that you prefer not to use the light feature of your fan. The metal light cover is not necessary for the light operation; it can be saved for later use if desired.

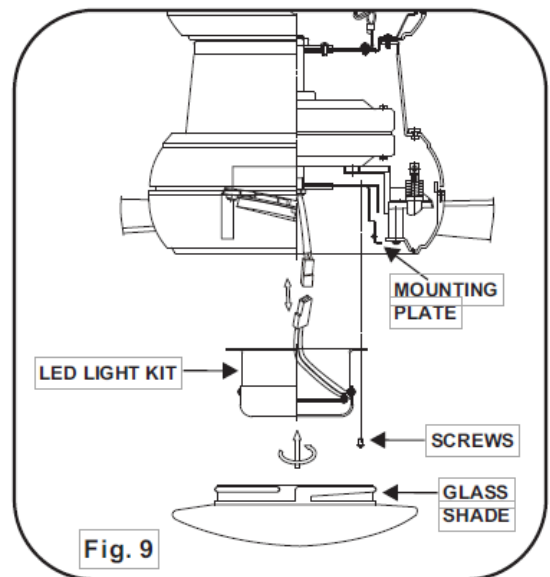


Fig. 9

CONCEPT FLUSHMOUNT LED CEILING FAN - 52"

CARE OF YOUR FAN

Here are some suggestions to help maintain your fan:

1. Because of the fan's natural movement, some connections may become loose. Check the support connections, brackets, and blade attachments twice a year. Make sure they are secure. (It is not necessary to remove fan from the ceiling.)
2. Clean your fan periodically to help maintain its new appearance over the years. Use only a soft brush or lint-free cloth to avoid scratching the finish. Plated finishes are sealed with lacquer to minimize discoloration or tarnishing.
3. Use a lint-free lightly damp cloth or duster to remove dust from the blades.
4. There is no need to oil your fan. The motor has permanently lubricated bearings.
5. If your fan is provided with glass shades, clean with lukewarm soapy water and a soft cloth or sponge. **DO NOT IMMERSE GLASS SHADES IN HOT WATER. DO NOT PUT GLASS SHADES INTO AN AUTOMATIC DISHWASHER.**

WARNING!

MAKE SURE THE POWER IS OFF AT THE ELECTRICAL PANEL BOX BEFORE YOU ATTEMPT ANY REPAIRS. REFER TO THE SECTION, "ELECTRICAL CONNECTIONS".

