

RESTORATION HARDWARE

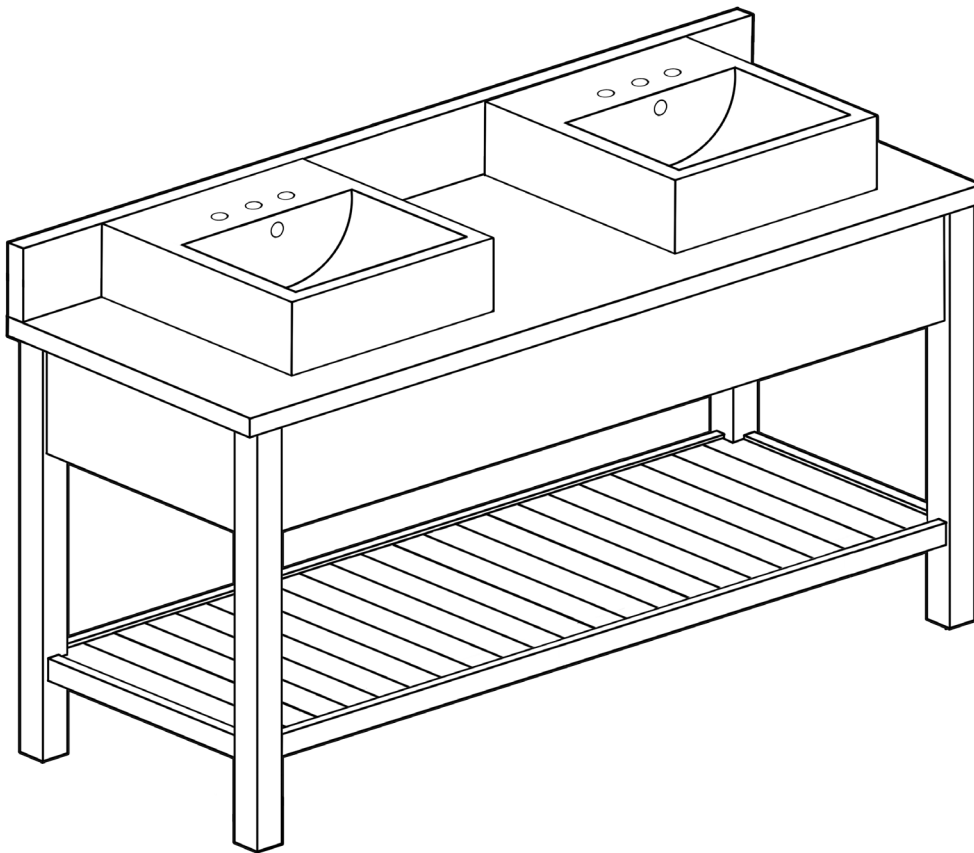
PARSONS DOUBLE VESSEL SINK ASSEMBLY INSTRUCTIONS

Before You Begin:

Professional installation by two-person crew is required for this fixture. Install water supply and drain piping according to local plumbing and building codes. Insure that wall and floor are square and plumb at site of installation.

Tools and Materials Required:

1. Flat, nonabrasive work surface such as a blanket or smooth cardboard
2. Carpenter's level
3. Sealant



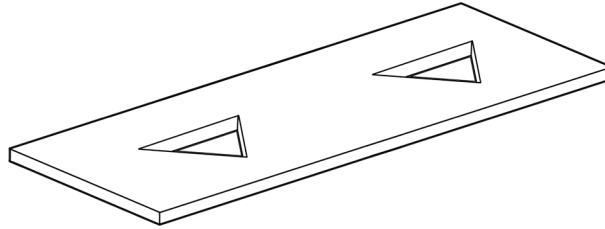
ASSEMBLED SINK

RESTORATION HARDWARE

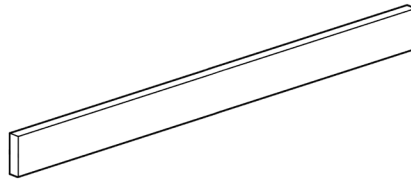
PARSONS DOUBLE VESSEL SINK ASSEMBLY INSTRUCTIONS

Parts List

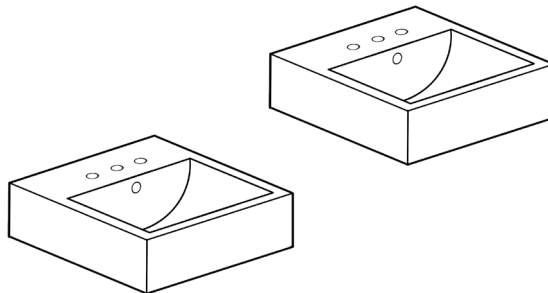
- A. Stone top (sold separately)



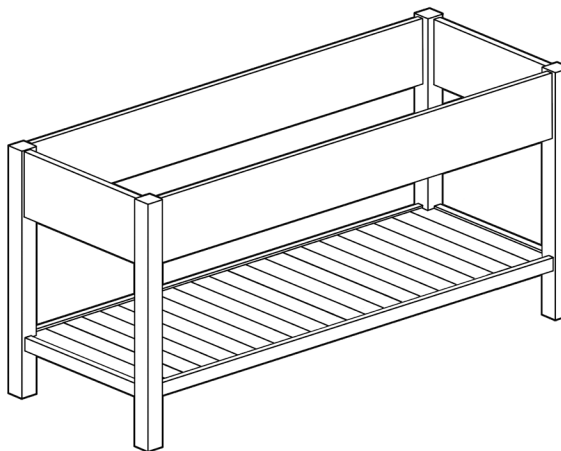
- B. Backsplash (sold separately)



- C. Lavatory basin (x2)



- D. Washstand base

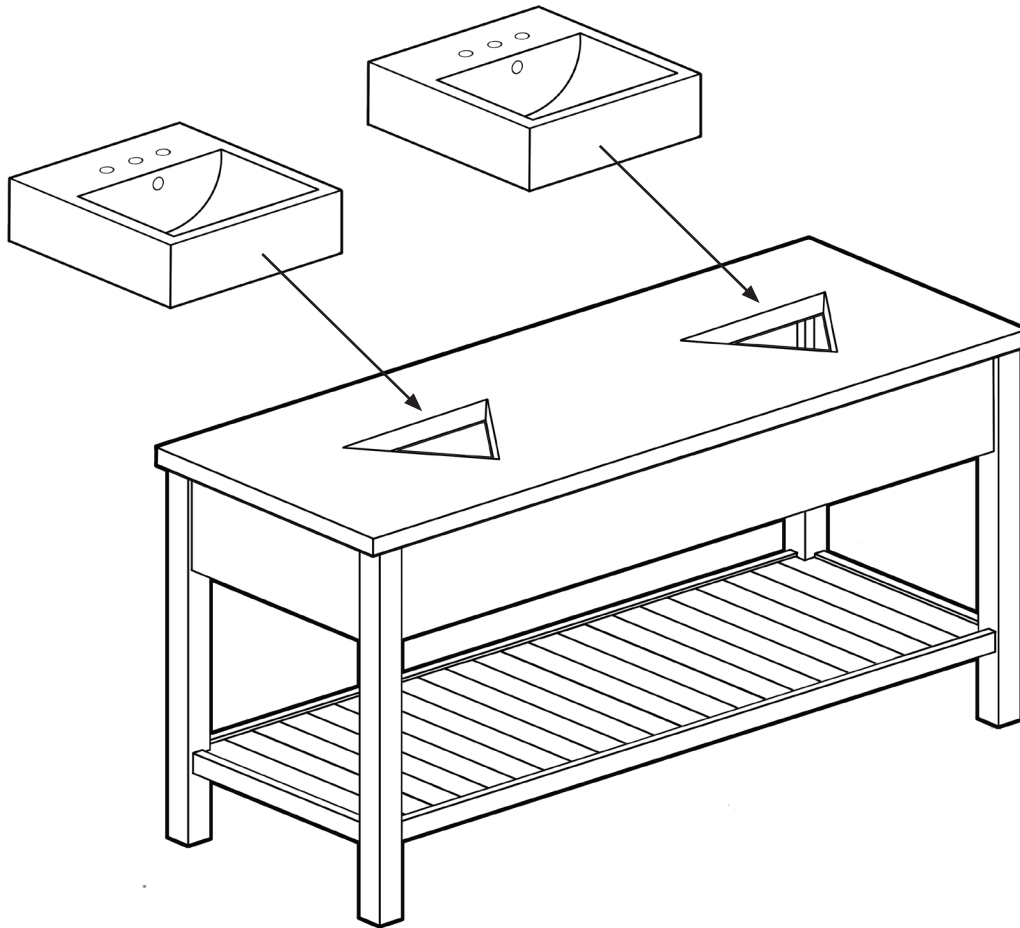


RESTORATION HARDWARE

PARSONS DOUBLE VESSEL SINK ASSEMBLY INSTRUCTIONS

Assembly Instructions:

1. Using two people, lift stone top (A) and position it carefully in place on top of washstand base (D).
2. Position the countertop basins (C) into place. Check to make sure that the basins are centered on the stone top, and fit above the countertop holes. (See Illustration).

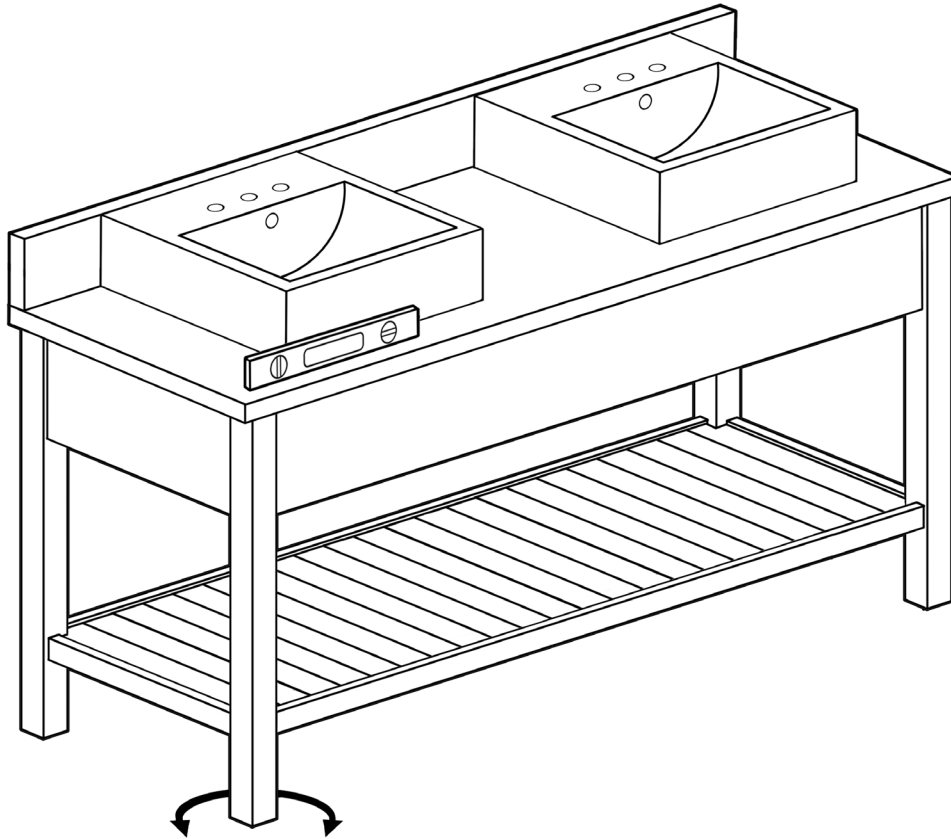


3. After confirming that the basins fit into place, turn the basins upside down and apply a continuous bead of silicone adhesive around the basin edges. Carefully place the basins back into place and press down firmly. Allow sealant 24 hours drying time before finishing installation of the faucet and lavatory water supplies.

RESTORATION HARDWARE

PARSONS DOUBLE VESSEL SINK ASSEMBLY INSTRUCTIONS

4. Apply silicone sealant to bottom and back of backsplash (B) and attach to wall and stone top.
5. Adjust leveling foot as needed for the stability of the console. (See Illustration).

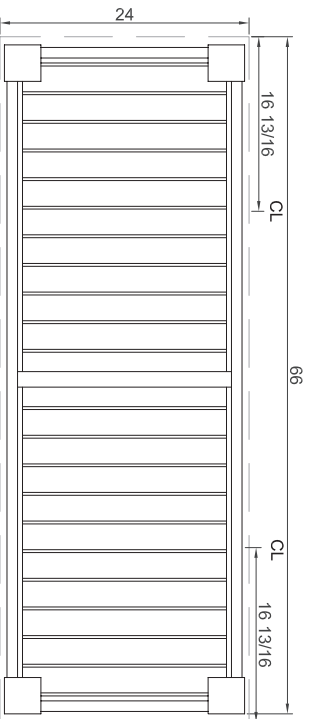


Cleaning and Maintenance Instructions:

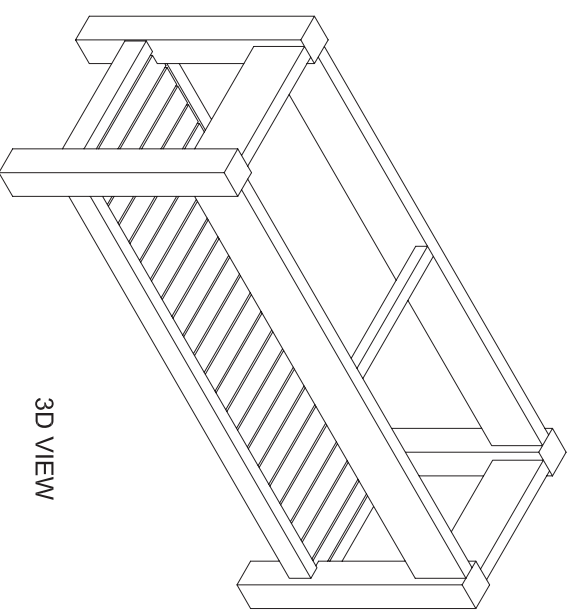
Avoid abrasive and harsh chemical cleaners.

To maintain and protect luster of vanity sink components, Restoration Hardware Bathroom Cleaning Products are recommended.

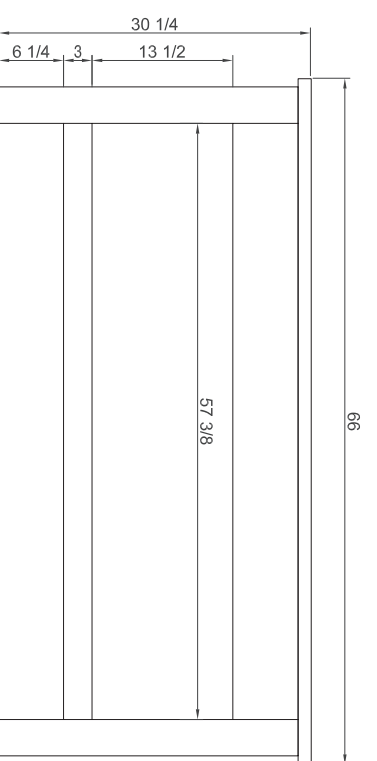
Restoration Hardware natural stone tops have a honed finish and hand-polished edges. They are sealed twice before shipment with inert silicone sealant. For cleaning and maintenance, Restoration Hardware Stone Care Products are recommended. To maintain your natural stone top, reseal it once a year.



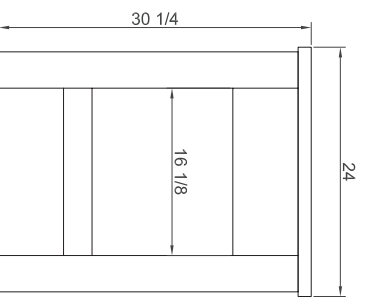
TOP VIEW



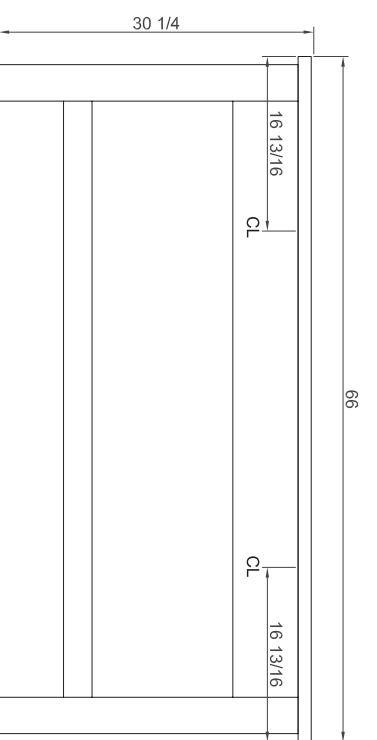
3D VIEW



FRONT VIEW



SIDE VIEW



BACK VIEW

PARSONS DOUBLE VESSEL WASHSTAND

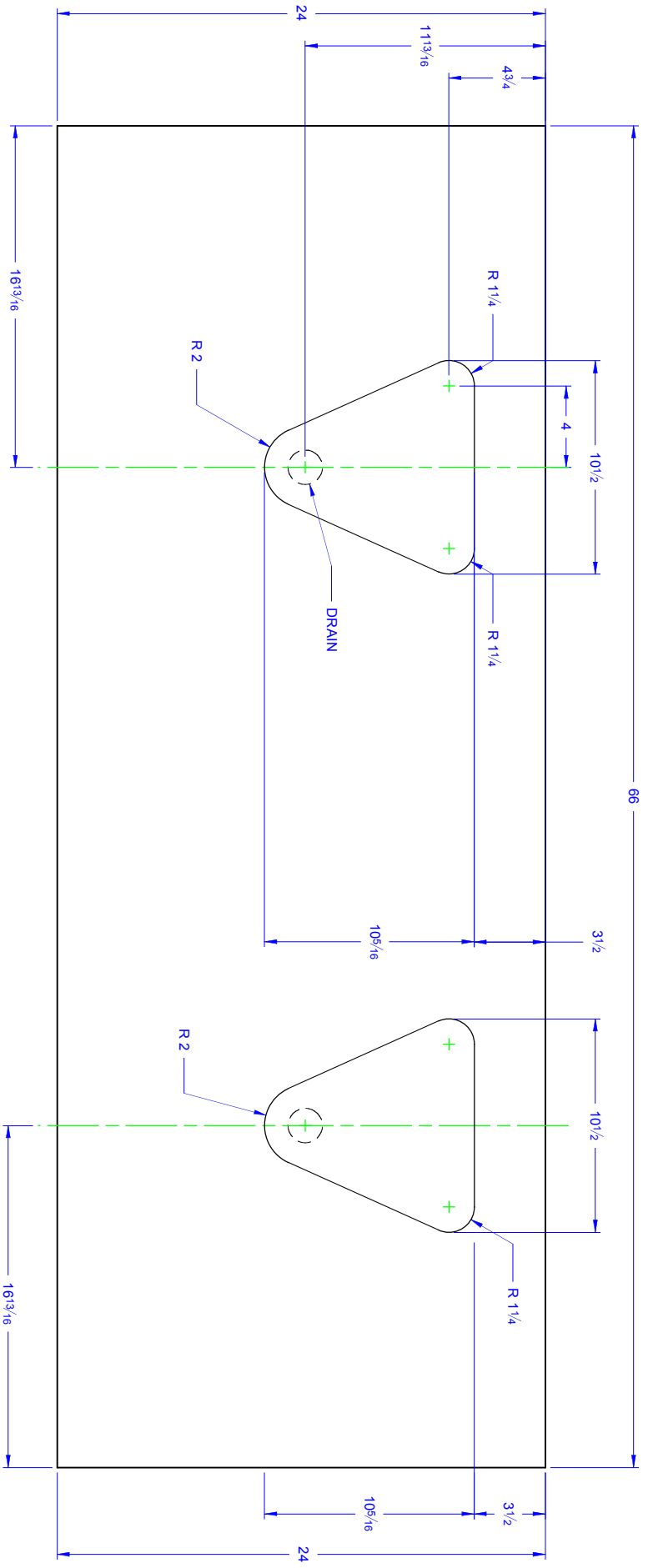
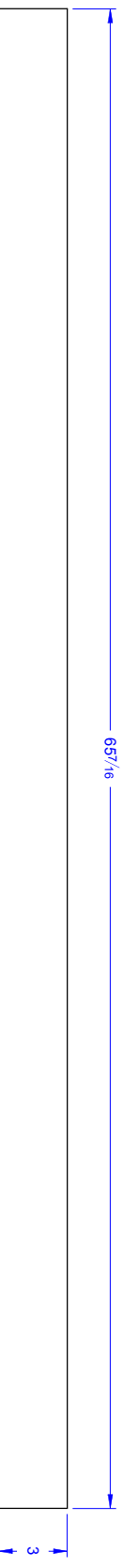
DRAWINGS REPRESENT ORIGINAL DESIGN SPECIFICATIONS. ACTUAL PRODUCT DIMENSIONS MAY VARY SLIGHTLY.

ALL DIMENSIONS ARE REPRESENTED IN INCHES.

PROFESSIONAL INSTALLATION REQUIRED

Unless otherwise noted, all design and content, images, artwork, graphics, photography, text, and the like are copyrights, trademarks, trade dress, and/or intellectual property that are owned, controlled, or licensed by Restoration Hardware.

RESTORATION HARDWARE



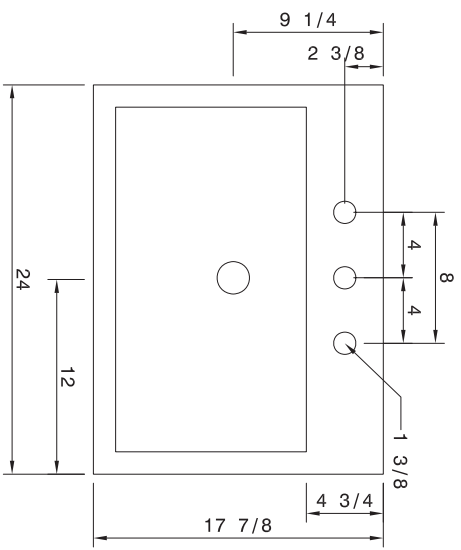
Parsons double vessel top
 Note: Stone is 1 1/4" thick

PARSONS VESSEL DOUBLE TOP

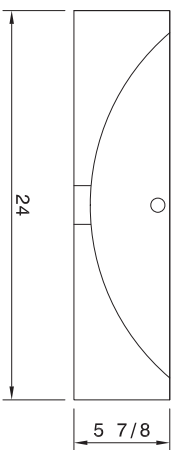
DRAWINGS REPRESENT ORIGINAL DESIGN SPECIFICATIONS. ACTUAL PRODUCT DIMENSIONS MAY VARY SLIGHTLY.
 ALL DIMENSIONS ARE REPRESENTED IN INCHES.
 PROFESSIONAL INSTALLATION REQUIRED

RESTORATION HARDWARE

Unless otherwise noted, all design and content, images, artwork, graphics, photography, text, and the like are copyrights, trademarks, trade dress, and/or intellectual property that are owned, controlled, or licensed by Restoration Hardware.



TOP VIEW



FRONT VIEW

PARSONS VESSEL SINK

DRAWINGS REPRESENT ORIGINAL DESIGN SPECIFICATIONS; ACTUAL PRODUCT DIMENSIONS MAY VARY SLIGHTLY.

ALL DIMENSIONS ARE REPRESENTED IN INCHES.

PROFESSIONAL INSTALLATION REQUIRED

RESTORATION HARDWARE

Unless otherwise noted, all design and content, images, artwork, graphics, photography, text, and the like are copyrights, trademarks, trade dress, and/or intellectual property that are owned, controlled, or licensed by Restoration Hardware.