

RESTORATION HARDWARE

HUTTON LARGE/SMALL INSET MEDICINE CABINET ASSEMBLY INSTRUCTIONS

Assembly Instructions:

1. Measure a space for the cabinet body (A). Blocking is recommended to ensure adequate support. Inset (recessed) box measurements will vary according to cabinet model (See Below).

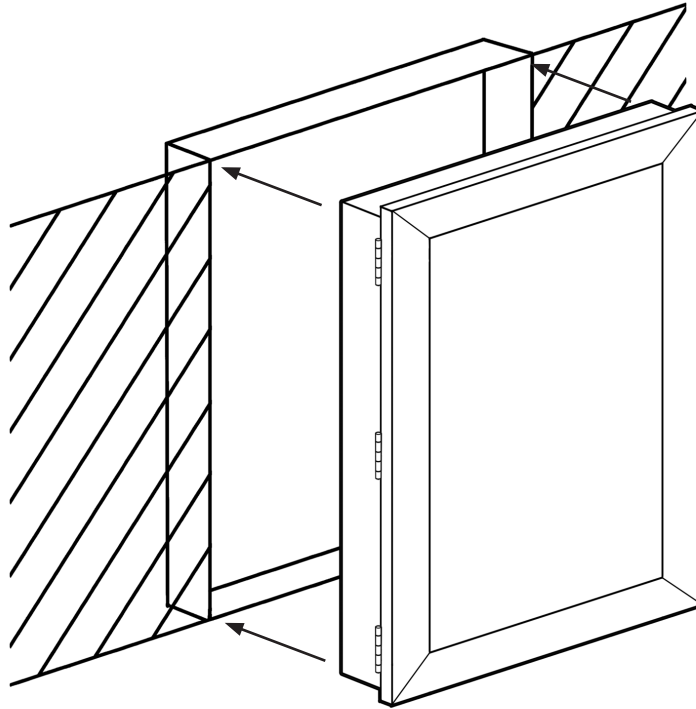
Large size dimensions

19" wide
31 1/2" high
4 3/16" deep

Small size dimensions

14" wide
24" high
4 3/16" deep

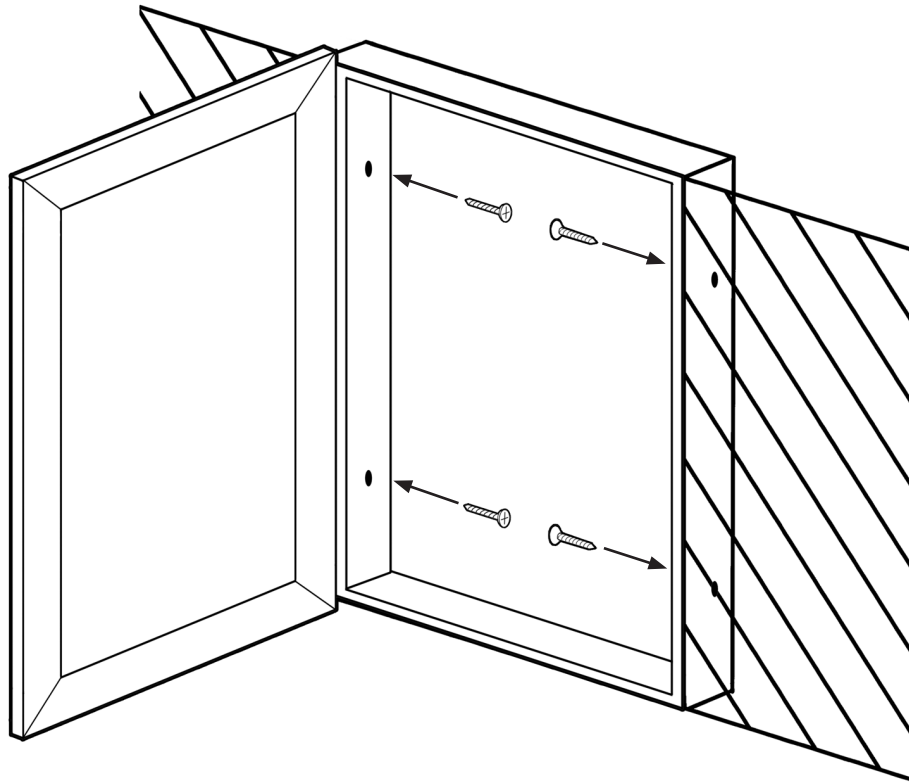
2. Install the cabinet with recessed box set back within the wall cavity.



RESTORATION HARDWARE

HUTTON LARGE/SMALL INSET MEDICINE CABINET ASSEMBLY INSTRUCTIONS

3. Mount Cabinet by fastening the enclosed wood screws (B) on the inner side panels. Enclosed screws to be used for installation into wood frames only. Appropriate screws/anchors need to be purchased for other materials.



Cleaning and Maintenance Instructions:

To maintain and protect luster of all products, clean with soft, damp cloth only.