

THERMOSTATIC

SHOWER SYSTEMS

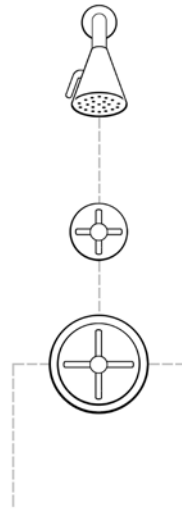
THERMOSTATIC SHOWER VALVE & TRIM FEATURES & BENEFITS

- Solid brass components.
 - Sixteen gallons/minute flow rate supports up to three water outlets running simultaneously.
 - Temperature control only. Installation of thermostatic valve **also requires** the purchase and installation of flow control valve(s) - **sold separately**. One flow control valve is needed for each water outlet in your shower system. (Showerhead, handheld shower, etc).
 - User accessible, adjustable maximum water temperature selection.
 - 3/4" Thermostatic Rough-in Valve, includes trim to match collection.
 - Paraffin cartridge, Built-in check valves with service stops, NPT threading Meets ASSE Standard 1016, IAPMO and CSA Listed.
- Other Components (sold separately):**
- Flow control valve & trim set.
 - On/off valve that controls water flow.
 - One valve needed per water outlet, allows for more than one outlet at a time.
 - Valve trim extension kit. Extends valve an additional 1-3/8" from wall. Includes spine extension, lock washer and handle screw.

SHOWER ONLY

PARTS REQUIRED

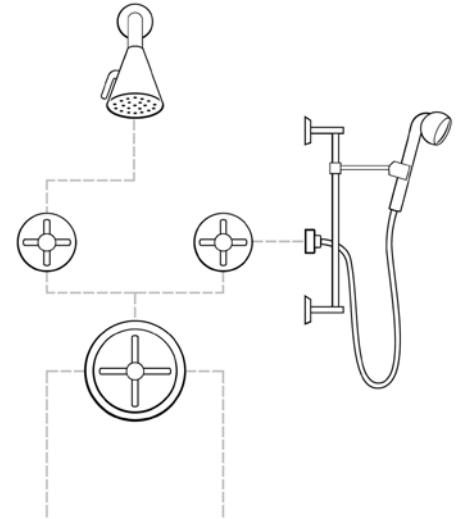
- Thermostatic valve & trim set
- Flow control valve & trim set
- Shower head, flange & arm



SHOWER WITH HANDHELD SHOWER

PARTS REQUIRED

- Thermostatic valve & trim set
- Flow control valve & trim set (2)
- Shower head, flange & arm
- Handheld shower



VALVE SPECS

