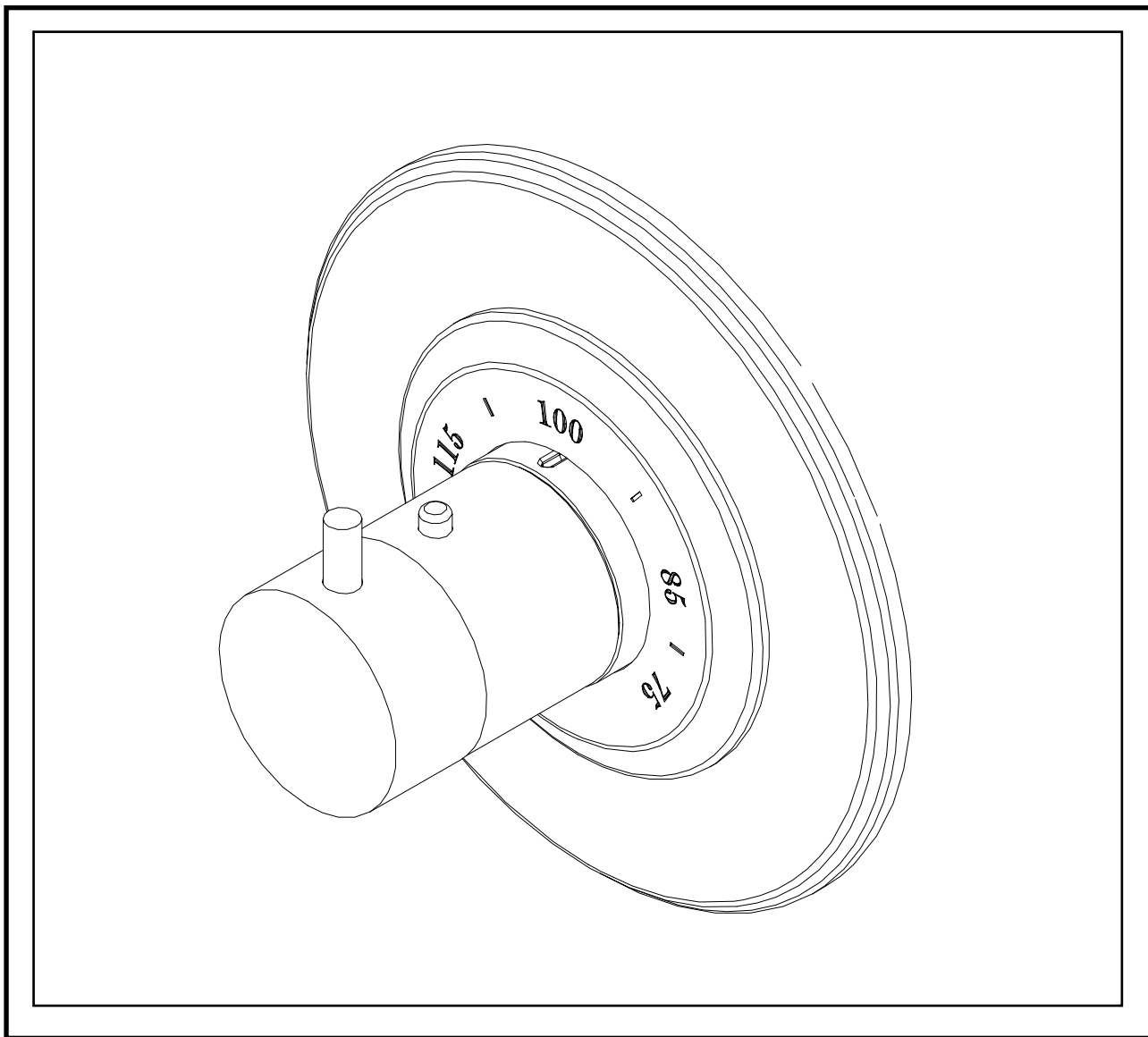




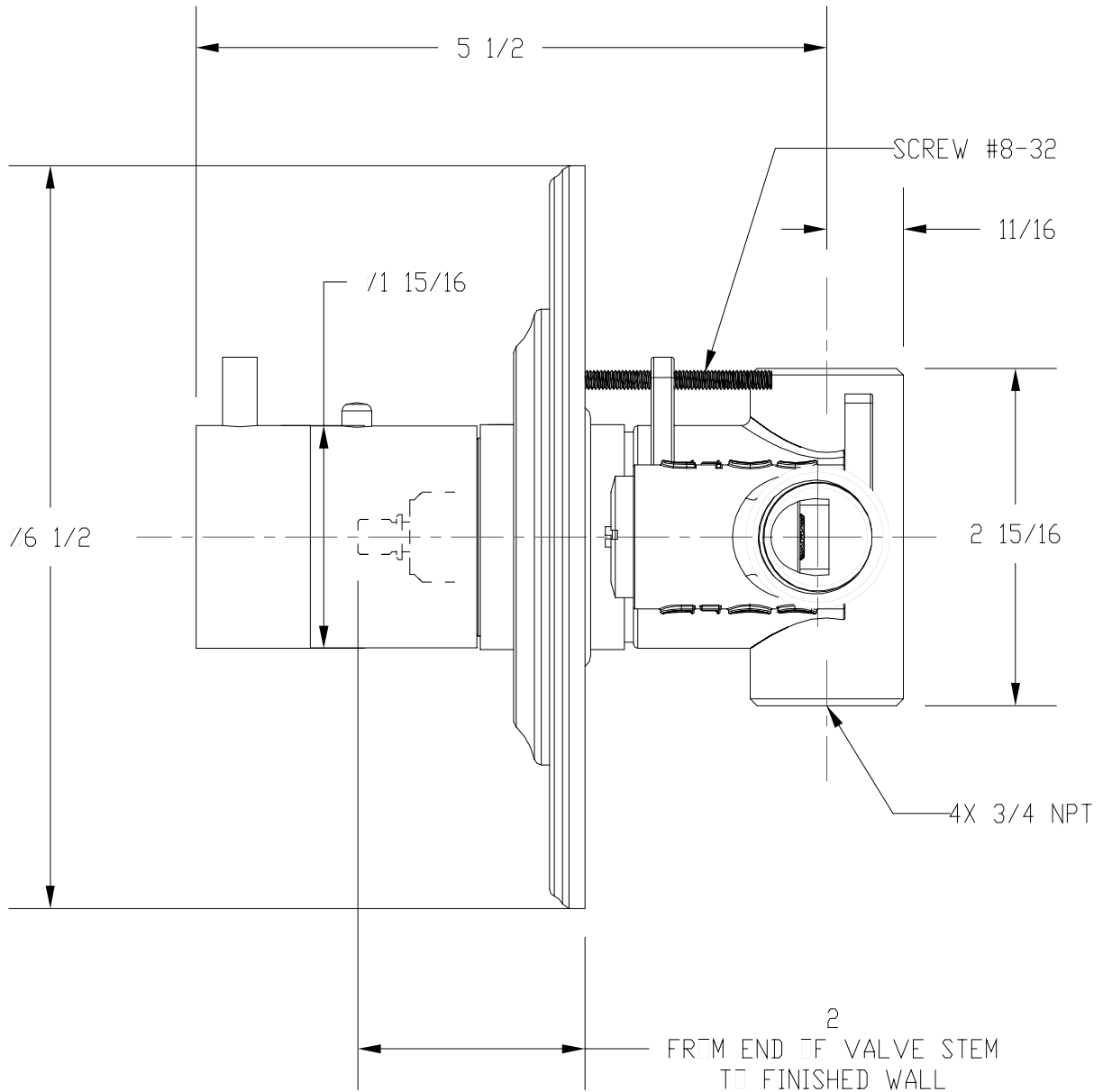
INSTALLATION INSTRUCTIONS



MODEL: CONTEMPORARY
THERMO SHOWER KIT
(RH-5644)

Restoration Hardware

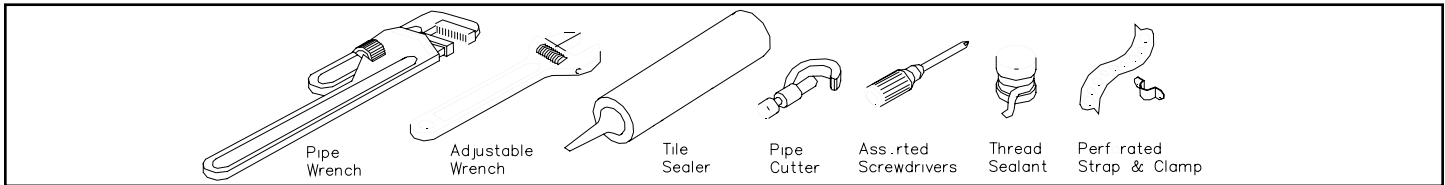
Thermo Shower Kit Specification Diagram



All Threaded Connections are $\frac{3}{4}$ " NPT

Dimensions are in Inches and Approximation of a Typical Installation

Common tools needed:



General Characteristics

In case of instantaneous heaters, hot water flow has to at least meet flow required by heater and maintain burning. (Specified by heater manufacturer)

Operating Specifications

Hot water supply temperature:

Maximum: Reference manufacturing specification

Minimum: 140°F

Minimum difference between hot and mixed temperature is: 50°F

Operating Pressure:

Maximum: 70 PSI

Minimum: 20 PSI

Operating pressure (on hot and cold line) should be kept as balanced as possible in order to assure maximum efficiency.

When the pressure is greater than 70 PSI, a pressure reducer is required and must be fitted before valve.

Technical Data

The temperature control knob is graduated from 75°F to 120°F with auto stop at 100° to avoid scalding.

Temperature limit setting of less than 120°F.

Fit a stop valve/volume control between thermo valve outlet and end device(s).

Plumbing Recommendations

- An independent water supply for both hot and cold is required. Do not pipe off ring main.
- Large runs of pipe work will cause frictional loss of pressure.
- The recommended main water supply piping to valve shall be 3/4" minimum.
- If more than one valve is installed, the recommended main water supply piping to valve shall be 1" minimum, reducing to 3/4" within 24" of each valve.

(Ensure adequate supply from both hot and cold water can be maintained.)

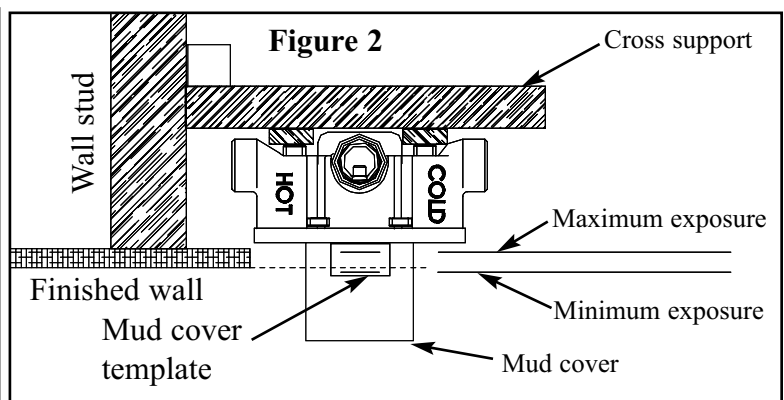
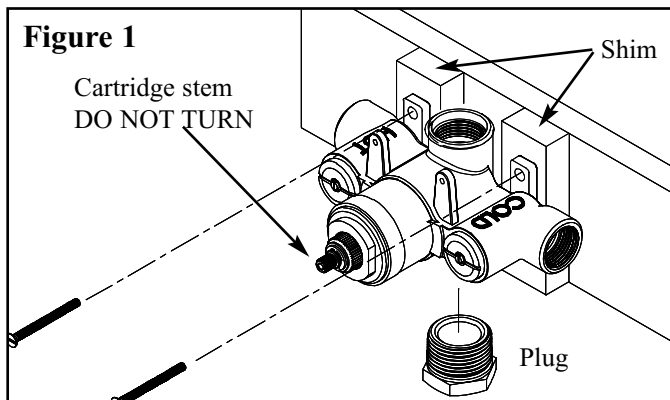
Water By-Laws

The mixing valve should be installed in compliance with the water by-laws. For further details refer to the latest copy of by-laws guide or your local water authority.

1. Rough in Valve Installation

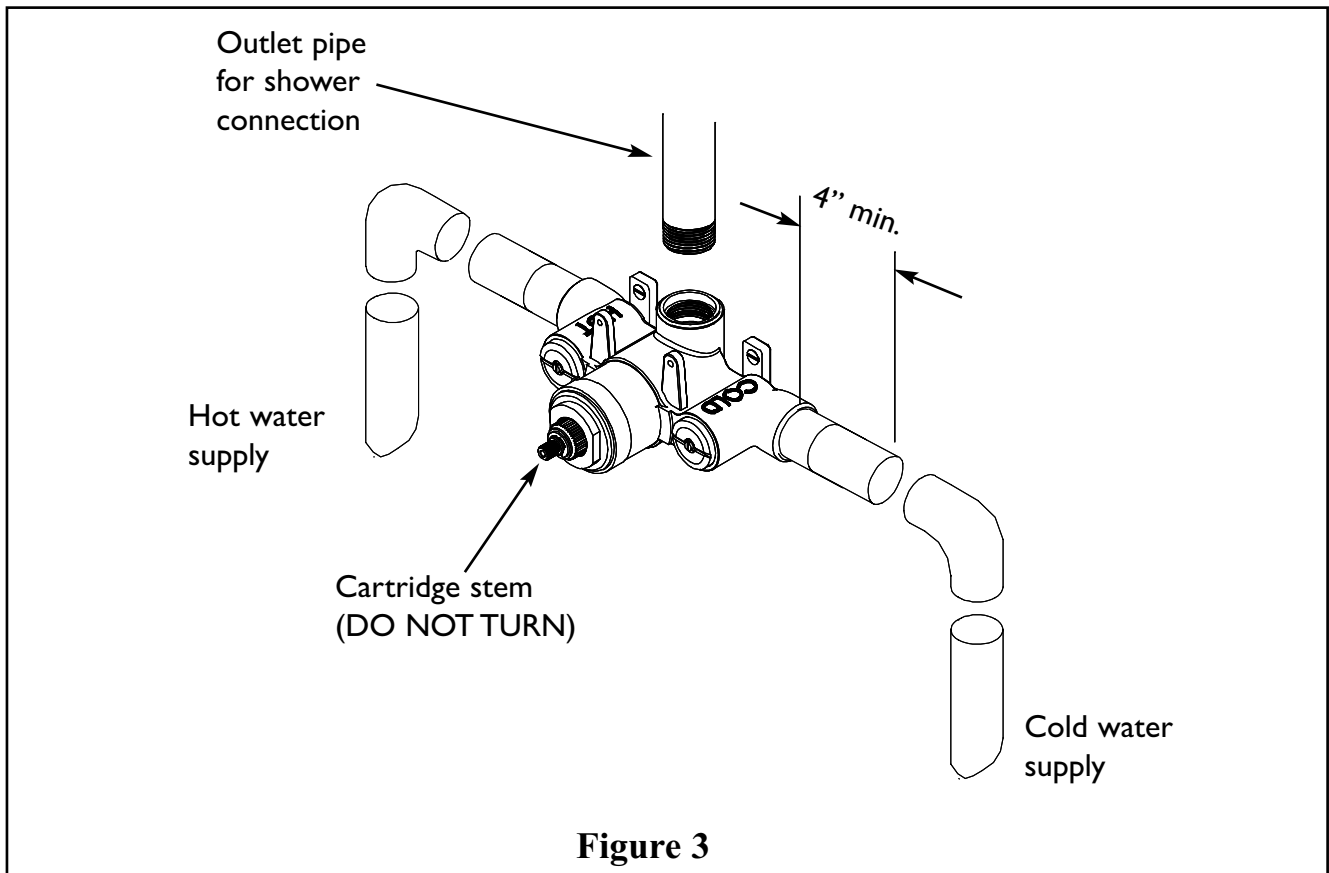
Note: Use Teflon tape or equivalent to seal all threaded port joints.

- Do not remove mud cover from valve before locating mounting surface depth in the wall.
- Do not turn the cartridge stem - temperature settings are pre-calibrated at the factory.
- Install plug into one of the two outlet ports. Note: For proper valve operation **only one outlet port may be used**.
- Mount valve to cross support using shims and screws (not included). Valve shall be perpendicular and fixed firmly to cross support to achieve proper trim attachment.
- Place the cross support with valve between wall studs. The min./max. valve exposure template on the mud cover and vertical height desired within tub/shower enclosure determines the exact cross support placement. Attach cross support to wall studs.



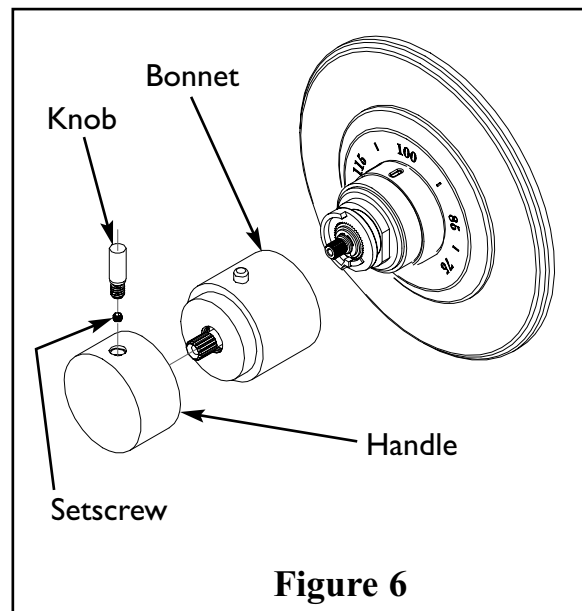
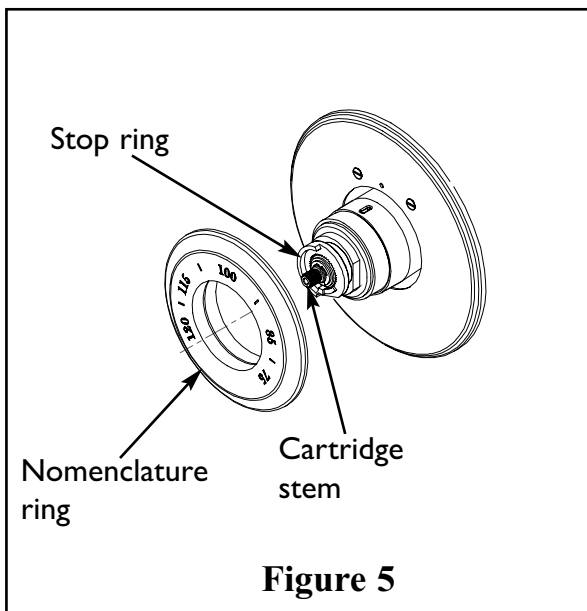
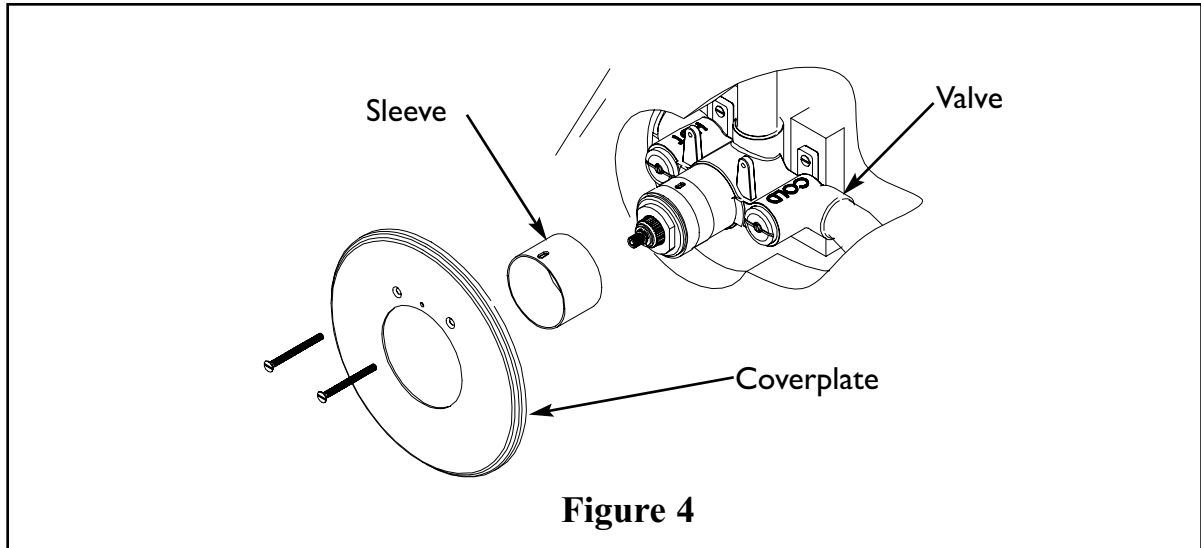
2. Connecting Water Supply

- Thoroughly flush supply lines to remove any debris, metallic shavings, flux, etc.
- Shut off water supply to valve.
- Hot and cold water supplies **MUST** be connected to designated sides for proper operation of valve.
- If solder/brazing the fitting connections, pre-assembly hot & cold adapter fittings to copper piping. Using Teflon tape or equivalent to attach adapter to appropriate inlet port.
Important: All excessive heat shall be a minimum of 4" from valve.
- Connect outlet pipe to stop valve/volume control (not included), and from stop valve pipe to various end device(s).
- Turn on water supply to valve and check for leaks.



3. Installing Trim & Temperature Setting

- Remove and discard mud cover and screws.
- Slide sleeve over valve body with grooved notch to topside.
- Slide cover plate with gasket over sleeve and attach with decorative screws provided (see Figure 4).
- Orient and position limit stop as shown in Figure 5. Slide Nomenclature ring over sleeve, aligning 100° to notch in sleeve.
- Open shut-off valve and verify water temperature at outlet device by using a thermometer. NOTE: The safe and factory set temperature is 100°F. The next step refers to adjustment of the temperature, otherwise skip to the following step.
- Rotate cartridge stem to adjust temperature:
(clockwise = colder or counterclockwise = hotter)
- Place bonnet onto cartridge stem with red button (100°F) positioned straight up and inline with notch on the sleeve (see Figure 6).
- Place decorative handle onto bonnet and secure with setscrew.
- Thread knob into handle

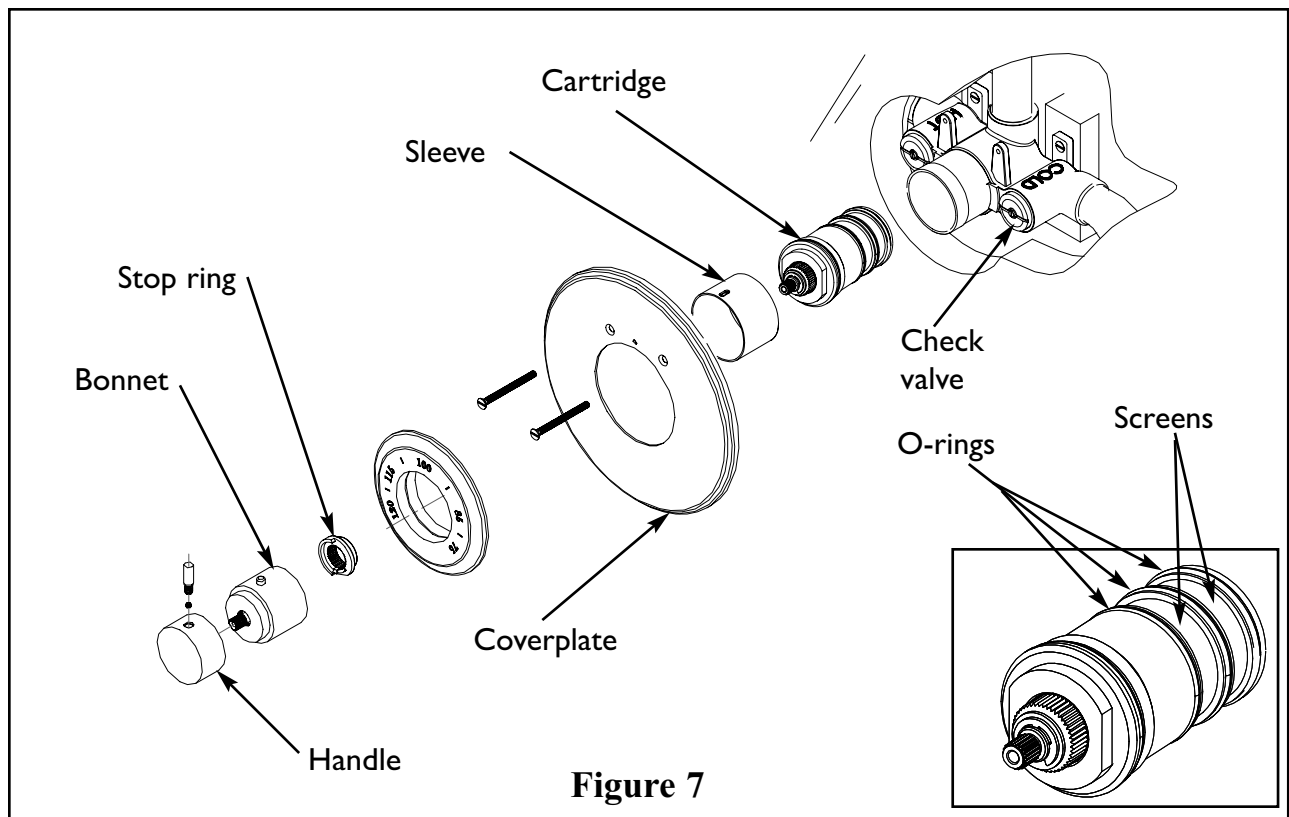


4. Maintenance and Troubleshooting

- The thermostatic valve has various screens that filter debris and unwanted particles that may damage the valves' cartridge and operation. Through years of use, these screens may build up with impurities and limescale, restricting the flow of water through the cartridge and or check valves. The following steps describe removal and cleaning procedure.

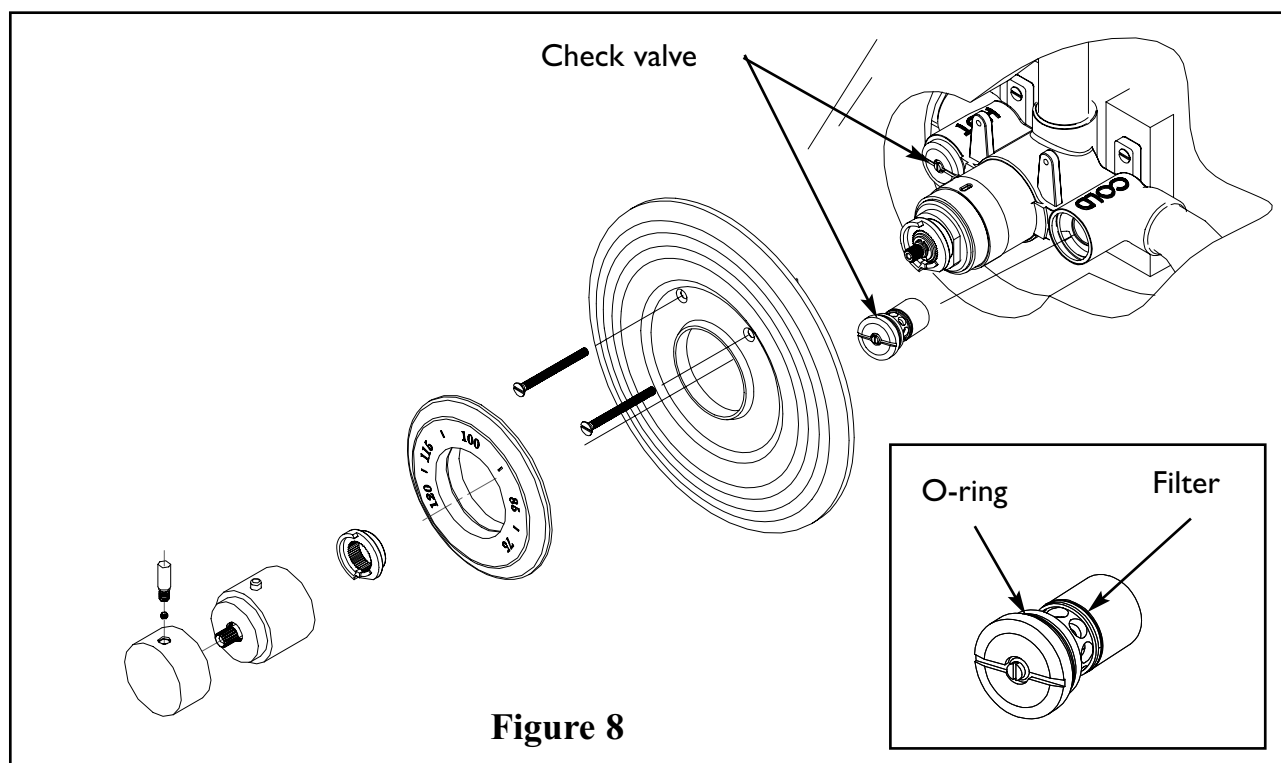
Cartridge (Reference Figure 7)

- Carefully remove the handle, bonnet, stop ring, cover plate and sleeve.
- Shut off the water to cartridge by tightening center screw on each check valve, 7 turns maximum.
- Unscrew the cartridge using 1-3/16" or adjustable wrench; gently remove cartridge from housing.
- Clean the screens by rinsing the cartridge under running water. If necessary, soak in a 50/50 mix of white vinegar and water to remove limescale.
- Wipe cartridge and housing with wet cloth and apply a thin film of non-petroleum grease to o-rings. Do not use Vaseline.
- Carefully install cartridge into housing and tighten to 10 ft-lbs.
- Fully open check valves and inspect for leaks.
- Check operation and flow. If improved, proceed to step 9, otherwise see checkvalve section below.
- Reinstall trim and set temperature per section 3.



5. Check valve (Reference Figure 8)

- Turn water supply to valve inlets off.
- Tighten center screw on check valve inward until it clears bottom on check valve slot.
- Unscrew check valve with large bladed screwdriver.
- Remove check valve and clean per step 4 and 5 above.
- Replace valve back into housing, unscrew center and re-close to 7 turns max.
- Turn on water supply to valve inlets.
- Fully open the check valve screws and inspect for leaks.
- Reinstall trim and set temperature per section 3.



Care and Cleaning

The lustrous finish on your Restoration Hardware Bathware fixture should be treated with care. Improper handling or cleaning can damage the surface of any metal finish. Use a soft cloth to wipe clean. Avoid harsh abrasive cleaners. Water contains lime and other mineral deposits that will be left on the surface after the water has evaporated. You can prevent these deposits from forming by always wiping the fixture dry immediately after use.

Technical Support and Customer Service

For technical support in the installation of your Restoration Hardware Bathware fixture, please call 1-866-417-5207 weekdays between the hours of 7:00am and 4:00pm PST.

For other questions regarding your order, to order additional components of the Restoration Hardware Bathware Collection, to order replacement parts, or to address warranty issues, please contact Restoration Hardware Customer Service at 1-877-747-4671.

THERMOSTATIC

SHOWER SYSTEMS

THERMOSTATIC SHOWER VALVE & TRIM FEATURES & BENEFITS

- Solid brass components.
- Sixteen gallons/minute flow rate supports up to three water outlets running simultaneously.
- Temperature control only. Installation of thermostatic valve **also requires** the purchase and installation of flow control valve(s) - **sold separately**. One flow control valve is needed for each water outlet in your shower system. (Showerhead, handheld shower, etc).
- User accessible, adjustable maximum water temperature selection.
- 3/4" Thermostatic Rough-in Valve, includes trim to match collection.
- Paraffin cartridge, Built-in check valves with service stops, NPT threading Meets ASSE Standard 1016, IAPMO and CSA Listed.

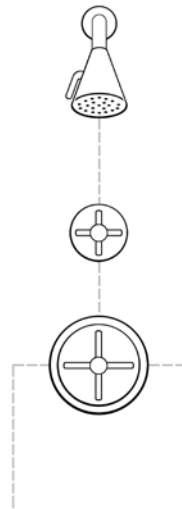
Other Components (sold separately):

- Flow control valve & trim set.
 - On/off valve that controls water flow.
 - One valve needed per water outlet, allows for more than one outlet at a time.
- Valve trim extension kit. Extends valve an additional 1-3/8" from wall. Includes spine extension, lock washer and handle screw.

SHOWER ONLY

PARTS REQUIRED

- Thermostatic valve & trim set
- Flow control valve & trim set
- Showerhead, flange & arm



SHOWER WITH HANDHELD SHOWER

PARTS REQUIRED

- Thermostatic valve & trim set
- Flow control valve & trim set (2)
- Showerhead, flange & arm
- Handheld shower

