

RESTORATION HARDWARE

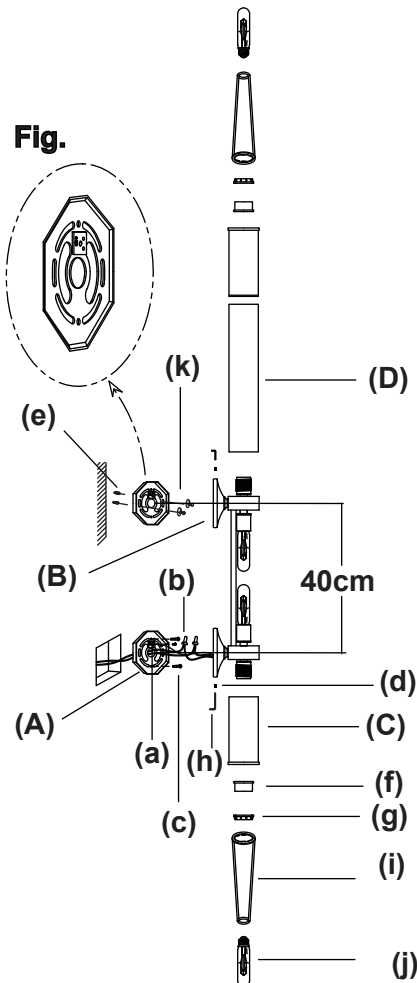
Thank you for purchasing Restoration Hardware Lighting. Our assortment is crafted with the highest quality details in mind and each collection is clad in one of our signature finish options. Each item's surface is sealed which eliminates the need for polishing and ensures the lasting brilliance of your piece for years to come.

PARTS ENCLOSED: HARDWARE INCLUDED:

- | | |
|--------------------------|--------------------------------|
| (A) Mounting plate (2) | (a) Green ground screw (1) |
| (B) Back plate (2) | (b) Plastic wire connector (2) |
| | (c) Mounting screw (2) |
| | (d) Plate screw (2) |
| (C) Glass shade (2) | (e) Wall anchor (2) |
| | (f) Metal ring (2) |
| | (g) Shade ring (2) |
| (D) Long Glass shade (1) | (h) Tool (1) |
| | (i) Lock-up tool (1) |
| | (j) Bulb (4) |
| | (k) Mounting screw (2) |

SUTTON GRAND SCONCE

Direct Wire Installation



IMPORTANT SAFETY INSTRUCTIONS:

WE RECOMMEND INSTALLATION BY A LICENSED ELECTRICIAN. This fixture has been rated for up to (4) 60-watt maximum TYPE T bulb . To avoid the risk of fire,do not exceed the recommended wattage.

WARNINGS:

All wires are connected. When unpacking, be careful not to pull wires as a bad connection may result. Do not connect electricity until your lamp is fully assembled. To reduce the risk of fire, electrical shock, or personal injury, always turn off lamp and allow it to cool prior to replacing light bulb. Do not touch bulb when fixture is turned on or look directly at lit bulb. Keep flammable materials away from lit bulb.

TO ASSEMBLE:

- Carefully remove all parts from the box and remove all plastic covering.
- Turn OFF power to the junction box where the lamp will be installed.
- Pull the electrical cord of "J BOX" through the exit hole of the mounting plate (A).
- Attach the ground wire from the fixture to the ground junction box wire from the outlet box (Usually green or bare wire) with a plastic wire connector (b) and wrap the connection with electrical tape. Screw the green ground screw (a) into the mounting plate (A), and wrap the fixture's bare ground wire around the ground screw.
- Connect the hot wire to the hot junction box wire (usually black) with a plastic wire connector (b) and wrap the connection with electrical tape. Connect the neutral wire to the neutral junction box wire (usually white) with a plastic wire connector (b) and wrap the connection with electrical tape.
- Attach the mounting plate (A) to the outlet box using the mounting screws (c). Tighten with a screwdriver.
Fig. Please note, mounting plate is a scalene hexagon, when assemble it should place the smaller side close to the screw hole of back plate(B), so that the plate screw(d) can fasten the mounting plate.
- Mark the location of the top mounting plate hole on the wall using a pencil according to distance between two central holes of the mounting plate about 40cm , and then using the mark as a guide, drill holes for the wall anchor. insert the wall anchor(e) into the holes, using a hammer to fully insert until flush with the wall.
- Align the holes in the top mounting plate with the wall anchors in the wall, using a screwdriver,secure the mounting plate to the wall with the enclosed mounting screws(k).
- Attach the back plate to the mounting plate using the enclosed plate screw (d).Tighten screws with tool (h).The other back plate assembly step is the same as above.
- insert two 60 watt Type T bulbs (j) into two central threaded sockets ,insert long glass shade (D) onto double central sockets.
- Place glass shade (C) onto the socket, put the metal ring (f) and shade ring (g) over the socket and fasten the glass shade by tightening the shade ring with the lock-up tool (i). The other glass shade assembly step is the same as above.
- Insert another two Type T 60 watt bulbs(j) into the top and bottom threaded socket.
- Restore power to the junction box and test lamp fixture.
- Installation is complete.

CARE INSTRUCTIONS:

Do not use polishes or cleaners on your lamp.
JUST WIPE CLEAN WITH SOFT CLOTH.