

RESTORATION HARDWARE

Thank you for purchasing Restoration Hardware Lighting. Our assortment is crafted with the highest quality details in mind and each collection is clad in one of our signature finish options. Each item's surface is sealed which eliminates the need for polishing and ensures the lasting brilliance of your piece for years to come.

PARTS ENCLOSED:

- (A) FINIAL (X2)
- (B) DECORATIVE PLATE (X2)
- (C) SHADE
- (D) BACKPLATE
- (E) MOUNTING TAB (X2)
- (F) SOCKET
- (G) MOUNTING PLATE SCREW (X2)
- (H) SUPPORT HOLE (X4)
- (I) WIRE NUT (X2)

IMPORTANT SAFETY INSTRUCTIONS:

*These instructions are provided for your safety. It is very important that they are read completely before beginning the installation of your fixture.

*DIRECT WIRE FIXTURES: WE STRONGLY RECOMMEND INSTALLATION BY A LICENSED ELECTRICIAN.

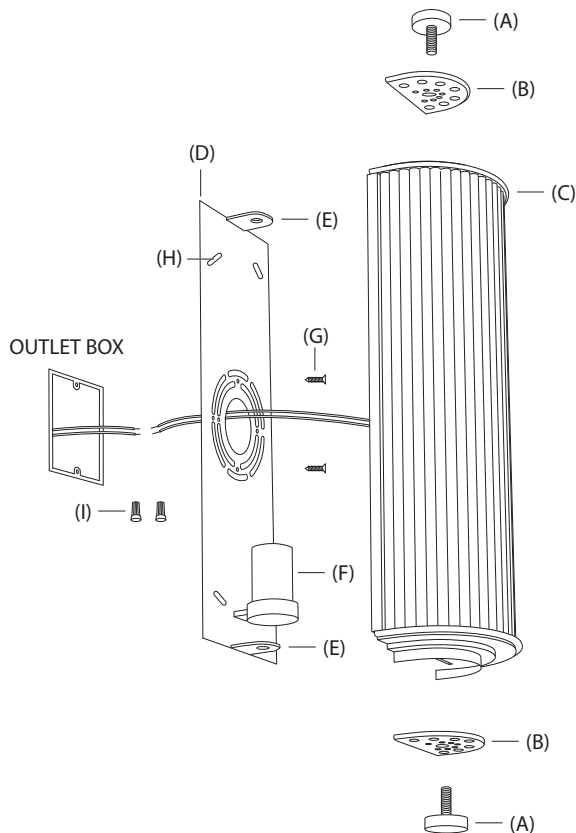
This fixture has been rated for up to (1) 60W MAX Type B11 Edison base bulb. To avoid risk of fire, do not exceed the recommended wattage.

WARNINGS:

Turn off power (unplug from the wall outlet) before replacing the bulb(s), making sure the bulb(s) had sufficient time to cool down.

DO NOT subject the lamp to any shock while lit as shattering of lamp may result.

MERIDIAN 11" SCONCE



TO ASSEMBLE:

1. SHUT OFF THE MAIN ELECTRICAL SUPPLY FROM THE MAIN FUSE BOX/ CIRCUIT BREAKER.
2. Remove the fixture and all parts from carton. Do not throw away any parts.
3. Remove all packaging material from fixture.
4. Remove mounting plate (D) from shade (C) by removing finials (A) and decorative plates (B) from shade (C). Set finials (A) and decorative plates (B) aside.
5. Guide wiring from outlet box through center hole in mounting plate (D). Affix mounting plate (D) to wall outlet using mounting plate screws (G) provided. If desired, extra screws (not included) can be inserted through support holes (H) in mounting plate (D) for additional support.
6. Lift fixture to exposed wiring from outlet box and make proper electrical connection. A LICENSED ELECTRICIAN IS RECOMMENDED.
7. Attach ground wire from fixture (green or copper in color) to ground wire from outlet box.
8. Attach hot wire from fixture (black in color or smooth side of wire) to hot wire from outlet box. Fasten wires together with wire nut (I) and tightly wrap connection with electrical tape.
9. Attach neutral wire from fixture (white in color or ribbed side of wire) to neutral wire from outlet box. Fasten wires together with wire nut (I) and tightly wrap connection with electrical tape.
10. Install one (1) 60W MAX Type B11 Edison base bulb into socket (F).
11. Slide shade (C) over mounting plate (D), making sure to align holes in mounting tabs (E) with holes in top and bottom of shade (C).
12. Align center hole in decorative plate (B) with hole in top of shade (C). Insert finial (A) through center hole in decorative plate (B) and center hole on top of shade (C). Thread finial (A) into mounting tab (E), turn until hand tight.
13. Repeat step 12 for decorative plate (B) and finial (A) at bottom of shade (C).

CARE INSTRUCTIONS:

To clean, use a soft cloth only. DO NOT use any chemical or abrasive cleaners.