

Installation Instructions

2 & 3 PORT IN WALL DIVERTER

Model No. 23660034 (RH-5346)

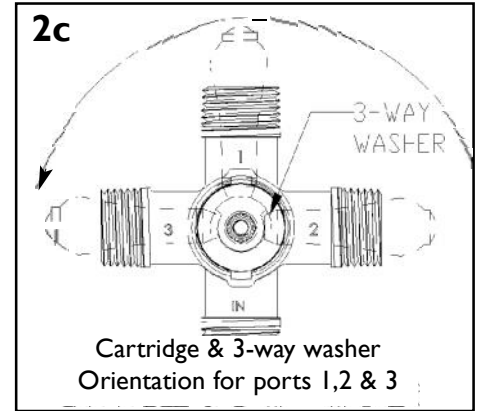
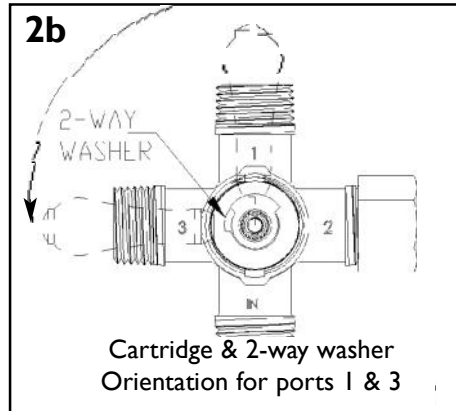
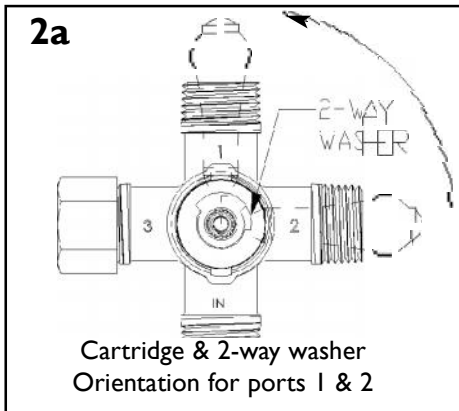


Recommended Installation by a Professional Plumbing Contractor

NOTE: Use plumber's tape or equivalent to seal all threaded port joints.

Warning: To prevent severe damage to valve body, any solder/braze process must be performed a min. of 4" from ports, otherwise cartridge **must** be removed from valve body.

- Valve supplied in 3-way mode; 2-way Washer supplied separately.
- To change to 2-way mode, remove All-thread, Stem and Diverter Nut. Otherwise proceed to step 4. Select the appropriate 2 or 3-way Washer and orientation for your application, per Diagram 2a, 2b or 2c, and place onto cartridge.
 - 2a or 2b.** 2-way is used for 2 end devices, a 1/2 NPT Cap is required on the unused "OUT" port. Connect end device lines to "OUT" ports 1 & 2 or 1 & 3. Unused "OUT" port **CAN NOT** be used as shut off.
 - 2c.** 3-way is used for 3 end devices. Connect end device lines to "OUT" ports 1, 2 & 3.
- Re-assemble Diverter Nut, Stem and All-thread.
- Divertor is used with a mixed (hot & cold) input, (ie Balance Pressure or Thermo Valve), connect supply to "IN" port only.
- Connect end devices to "OUT" ports.
Note: Do not cut Stem and All-thread nipple until finished wall is complete and dimension check of Handle and Escutcheon/Bonnet trim is done. (Stem groove @ 1/2" intervals.)



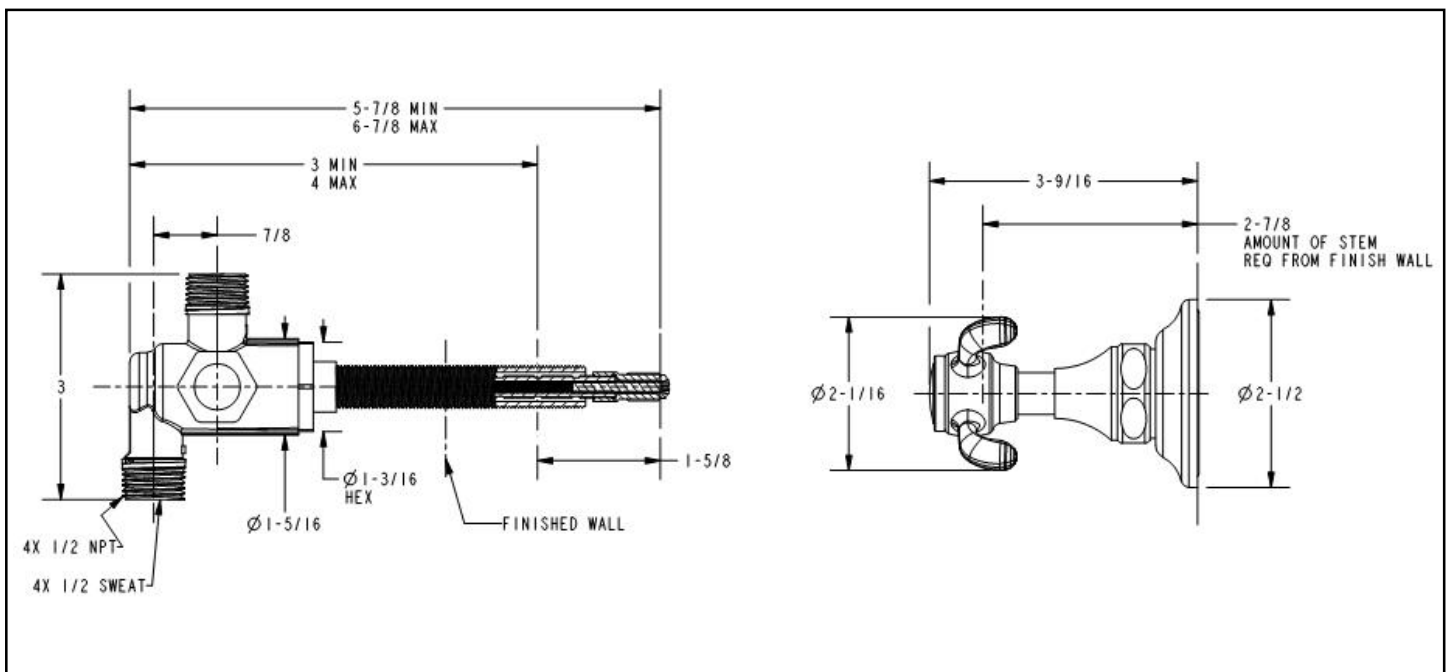
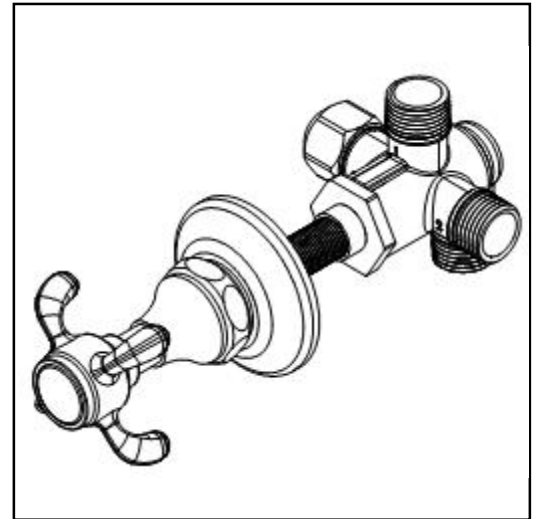
Trim Cartridge Stem

1. Install ESCUTCHEON/BONNET and BASE RING trim pieces onto CARTRIDGE ALL-THREAD NIPPLE flush against Finished Wall. Mark the CARTRIDGE ALL-THREAD NIPPLE where excess needs to be trimmed.

2. Remove the ADAPTER SCREW and temporarily install HANDLE onto CARTRIDGE ADAPTER and measure DISTANCE between top of ESCUTCHEON/BONNET and bottom of HANDLE.

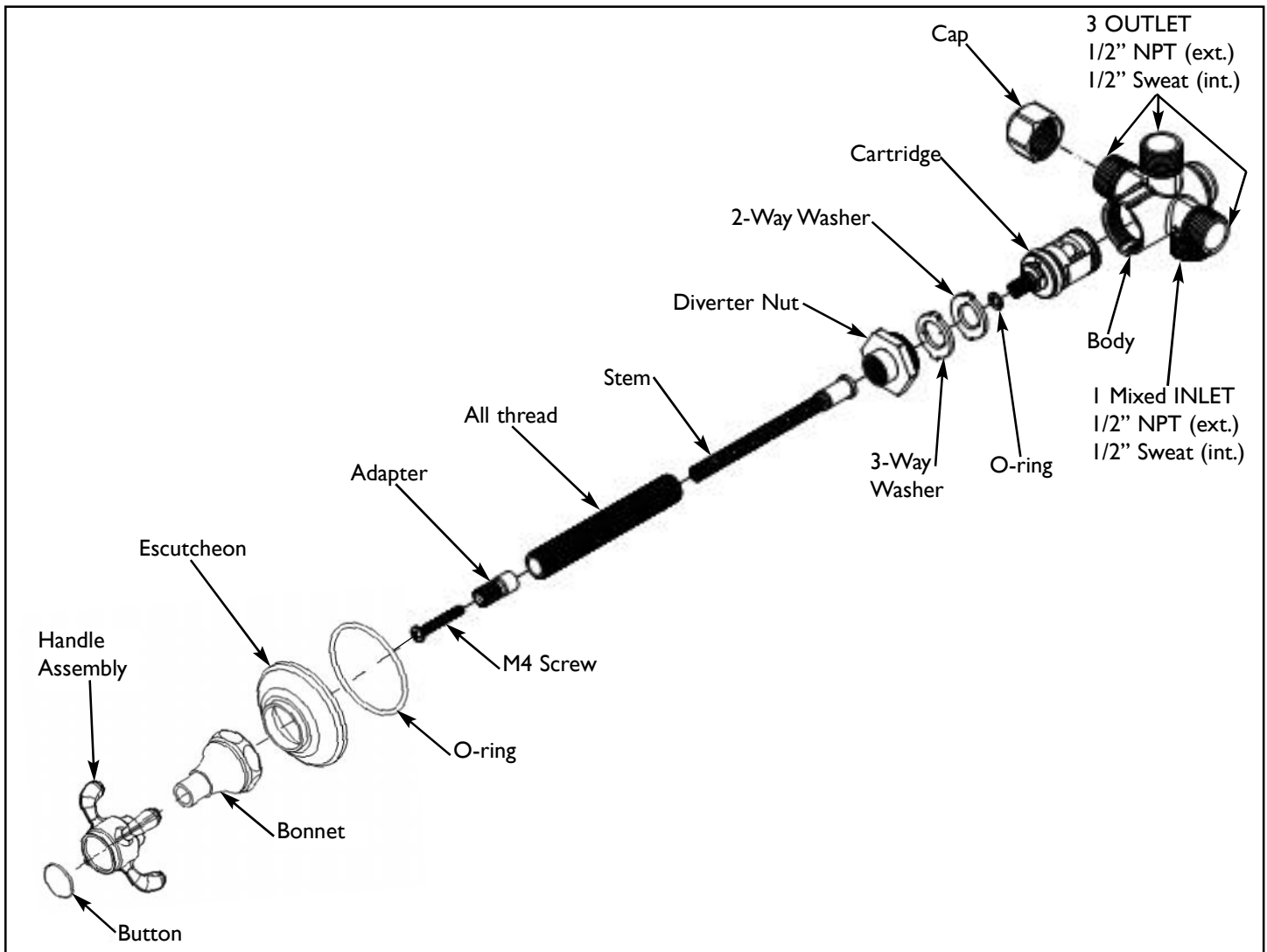
3. Disassemble HANDLE, ESCUTCHEON/BONNET, BASE RING, and CARTRIDGE ADAPTER to trim SUM (SUM= DISTANCE + 1/16") from the 20 tooth CARTRIDGE STEM length.

Note: For some HANDLE styles, where portion of HANDLE base inserted inside ESCUTCHEON/BONNET, additional CARTRIDGE STEM trim is needed to achieve desired aesthetic look.



Adjust Handle Alignment

1. Ensure cartridges in full closed position, use previously removed ADAPTER SCREW to loosely install CARTRIDGE ADAPTER onto 20 tooth CARTRIDGE STEM. Temporary install the HANDLE and check alignment.
2. If the HANDLE lever is not correctly aligned, remove HANDLE, loosen up (but do not completely remove) the ADAPTER SCREW and rotate CARTRIDGE ADAPTER one tooth clockwise (18 degrees), reassemble the HANDLE and recheck alignment. Repeat until HANDLE is aligned.
3. Discard the top screw provided with the HANDLE. Remove HANDLE and ADAPTER SCREW (**Importance:** do not remove CARTRIDGE ADAPTER from CARTRIDGE STEM). Feed the ADAPTER SCREW through the center hole of HANDLE and use the ADAPTER SCREW to firmly secure HANDLE and CARTRIDGE ADAPTER to 20 tooth CARTRIDGE STEM.



Care and Cleaning

The lustrous finish on your Restoration Hardware Bathware fixture should be treated with care. Improper handling or cleaning can damage the surface of any metal finish. Use a soft cloth to wipe clean. Avoid harsh abrasive cleaner. Water contains lime and other mineral deposits that will be left on the surface after the water has evaporated. You can prevent these deposits from forming by always wiping the fixture dry immediately after use.

Technical Support and Customer Service

For technical support in the installation of your Restoration Hardware Bathware fixture, please call 1-866-417-5207 weekdays between the hours of 7:00am and 4:00pm PST.

For other questions regarding your order, to order additional components of the Restoration Hardware Bathware Collection, to order replacement parts, or to address warranty issues, please contact Restoration Hardware Customer Service at 1-877-747-4671.